

Project Name:

Part Number:

UFO PARKING GARAGE - 40WLED

OUTDOOR



407-478-3759
www.ilp-inc.com

FEATURES

- Die-cast aluminum round parking garage fixture
- Frosted polycarbonate lens (Std.)
- 4000K & 5000K available
- Quick mount bracket standard for easy surface mount installation
- ½" Coin plug on top for center pendant mount or JBOX with included cord lock
- Four ½" coin plugs on sides for conduit or photocell
- Sensor Ready: Motion, Daylight Harvesting, Grouping, Zones & IoT
- Bronze or White housing color options
- 5 Year Warranty
- IP66
- 0-10V Dimming Driver (Std)
- DesignLights Consortium® Premium Qualified Luminaire



SUITABLE APPLICATIONS

- Parking Garages
- Canopy Walkways

LED SYSTEMS INFORMATION	4000K	5000K
Calculated L ₇₀ (TM-21)	>100K	>100K
Delivered Lumens	4,985 lm	5,014 lm
Total Input Watts	42 W	42 W
Luminaire Efficacy Rating (LER)	118 lm/W	119 lm/W
Correlated Color Temperature (CCT)	4000K	5000K
Color Rendering Index (CRI)	>80	>80
Maximum Ambient Temperature	110°F	110°F
Minimum Ambient Temperature	-40°F	-40°F
Universal Driver	120-277 V	120-277 V

LED System data above based on UFO-40WLED-UNIV-40 & UFO-40WLED-UNIV-50
LED Lumen Maintenance Estimates based on TM-21 projections for the light source at 25°C ambient.

ORDERING GUIDE:

Series	Watts	Driver	Color	Options
UFO	40WLED	UNIV 120-277 Driver	50 40	<p>WHT White Fixture Housing</p> <p>LEDBBCT -4°F - 80°F Battery Backup</p> <p>ILBCP05 5W Battery Backup Factory Installed (32°F - 100°F)</p> <p>DIM Dimming Leads Added</p> <p>SD480* 480V Step Down Transformer</p> <p>SD347* 347V Step Down Transformer</p> <p>SP1 10kA Max Univolt Surge Protector</p> <p>SP2 22kA Max Univolt Surge Protector</p> <p>BCS Bird Cone Shield - Used w/ Pendant Mount Only</p> <p>PCxxx Photocell (xxx= voltage)</p> <p>WLOS Wet Location Occupancy Sensor</p> <p>BDxx Preset Bi-Level Dim Sensor (xx=% e.g. 20, 30)</p> <p>USBD** User Select Bi-Level Dim w/ Occ. Sensor</p> <p>FSIR/100 Remote Configuration Tool for WLOS, and USBD, Control Options</p> <p>BDxxPC Preset Bi-Level Dim Sensor w/ Photocell</p> <p>TB Trunnion Mount Bracket</p>

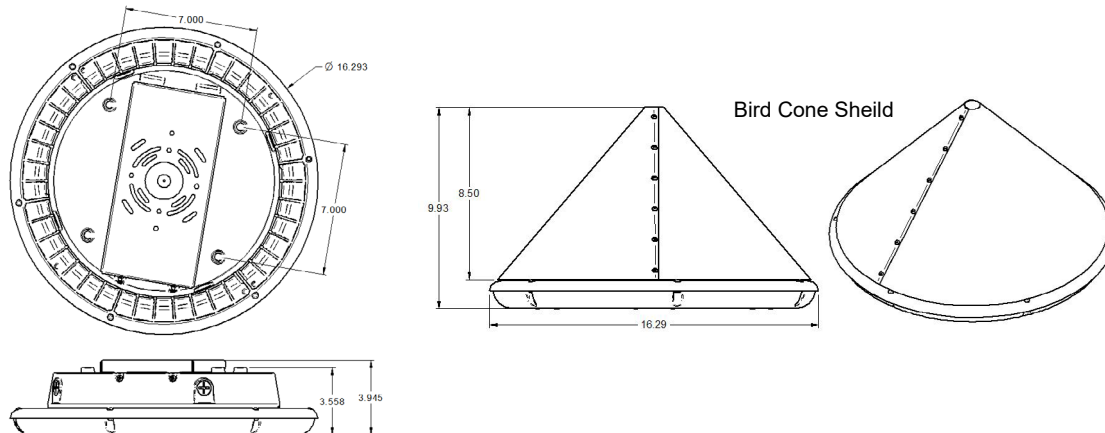
* Option not currently DLC Qualified

** Must Use w/ FSIR/100 Remote

LEDBBCT & SD480 Cannot Be Installed Together

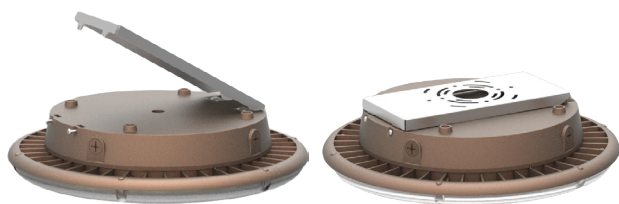
UFO PARKING GARAGE - 40WLED

OUTDOOR

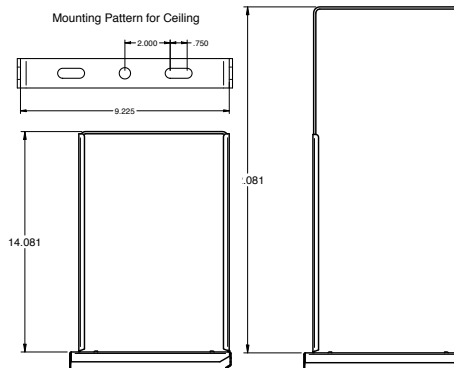


MOUNTING OPTIONS

- **Pendant** - 1/2" Threaded pendant can be mounted through 1/2" coin plug on top of fixture (Supplied by other)
- **Quick Mount Bracket** - Standard for base of installation when surface mounting to either the ceiling or junction box
- **TB** - Trunnion Mount Bracket



Quick Mount Bracket



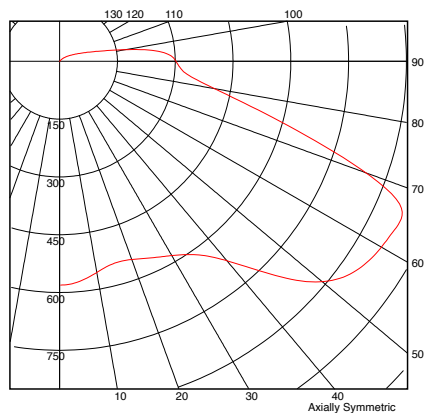
Trunnion Mount Bracket

UFO-40WLED-UNIV-40

SUMMARY DATA

HEMISPHERES TESTED:	BOTH
EFFICIENCY (Downlight):	90.2 %
EFFICIENCY (Uplight):	9.8 %
ROADWAY CLASSIFICATION:	TYPE V
CUTOFF CLASSIFICATION:	NON CUTOFF
LUMENS:	4,718
INPUT WATTS:	43

CANDELA PLOT



Photometric values based upon tests performed in compliance w/ LM-79.
Download IES files at www.ilp-inc.com