

| | |
|-----------------|---------------|
| PROJECT NAME: | |
| CATALOG NUMBER: | FIXTURE TYPE: |
| VOLTS/WATTS: | LAMPS/BOARD: |



FULL CUTOFF FORWARD THROW - 60W LED

WALL PACK

FEATURES

- Die Cast Aluminum Housing
- Hinged Full Cutoff Front Frame
- 1/2" Coin Plugs with O-rings for Conduit & Photocell
- Textured Architectural Bronze Powdercoat Finish Over a Chromate Conversion Coating
- Forward Throw Optic Lens
- Cast-in Template for Mounting Directly Over a 4" Recessed Outlet Box
- 60W, 5000K (Std)
- ETL Listed for Wet Locations
- Meets Dark Sky Requirements
- Custom Colors Available Upon Request

REPLACES 175W MH



LED SYSTEM

| | |
|------------------------------------|---------------|
| Board (CREE Chips) | 4 x 6 |
| Calculated L70 (TM-21) | 134,000 hours |
| Delivered Lumens | 5,248 lm |
| Total Input Watts | 66.7 W |
| Luminaire Efficacy Rating (LER) | 78.7 lm/W |
| Correlated Color Temperature (CCT) | 5000 K |
| Color Rendering Index (CRI) | 69.1 |
| Max Ambient Temp | 127°F |
| Universal Driver | 120-277 V |

LED System data above based on WPCM-60WLED-UNIV-5000K
LED Lumen Maintenance Estimates based on TM-21 projections for the light source at 25°C ambient

SUITABLE APPLICATIONS

- Parking lots
- Buildings
- General area lighting



Ordering Guide

| | | | | |
|------|--------|------|-------|-------------|
| WPCM | 60WLED | UNIV | 5000K | eg: WPC25WG |
|------|--------|------|-------|-------------|

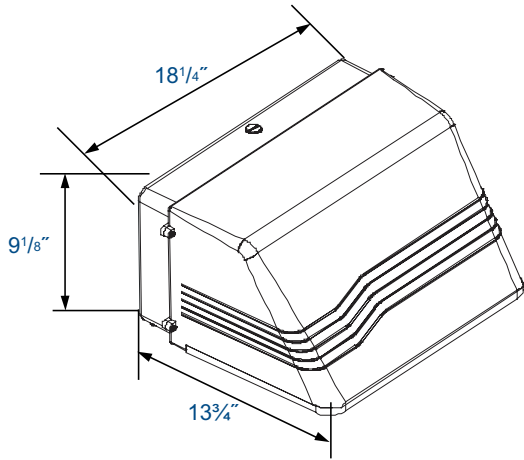
| Series | LED | Driver | Color | Options |
|--------|-----|--------|-------|---------|
|--------|-----|--------|-------|---------|

- | | | | | |
|--|--|---|---|--|
| <input type="checkbox"/> WPCM Full Cutoff Wall Pack | <input type="checkbox"/> 60WLED 4x6 Board | <input type="checkbox"/> UNIV 120-277 Driver | <input type="checkbox"/> 4000K <input type="checkbox"/> 5000K* | <input type="checkbox"/> WPC25LG Clear PC Vandal Resistant Guard <input type="checkbox"/> WPC25WG Wire Guard, SS Construction <input type="checkbox"/> CORDx Cord (x = ft) <input type="checkbox"/> DIM 0-10V Dimmable Driver <input type="checkbox"/> WLOS Wet Location On/Off Sensor <input type="checkbox"/> USDC User Selectable Dimming Control <input type="checkbox"/> USBD User Select Bi-level Dim w/ Occ. Sensor <input type="checkbox"/> BDxx Preset Bi-level Dim Sensor (xx=% eg. 20,30) <input type="checkbox"/> BDxxPC Preset Bi-level Dim Sensor w/ Photocell <input type="checkbox"/> DHPC Daylight Harvesting <input type="checkbox"/> PCxxx Photocell (xxx = Voltage) |
|--|--|---|---|--|

*DLC Listed Configuration

FULL CUTOFF - 60W LED

FORWARD THROW WALL PACK



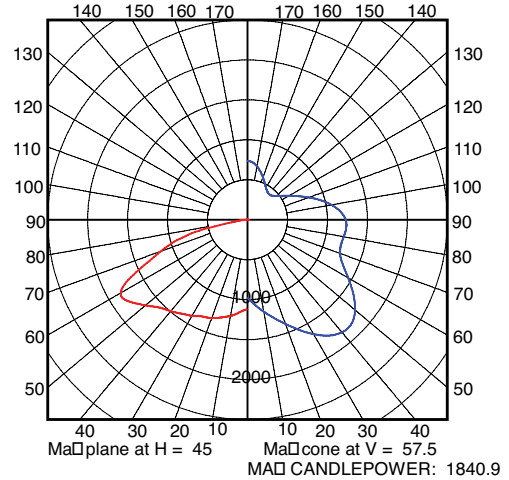
WPCM-60WLED-UNIV

LUMINAIRE OUTPUT = 5064 LMS
120.04 VAC, 554.94 mA, 66.421 W, 0.9971 PF

SUMMARY DATA

| | |
|-------------------------------|-----------------|
| HEMISPHERES TESTED: | BOTH |
| EFFICIENCY (Total): | 100.0 % |
| EFFICIENCY (Down / Up): | 100.0 % / 0.0 % |
| EFFICIENCY (Street / House): | 65.9 % / 34.1 % |
| ROADWAY CLASSIFICATION: | TYPE IV, SHORT |
| CUTOFF CLASSIFICATION: | FULL CUTOFF |
| LUMENS/LAMP: | 5086.907 |
| NO. OF LAMPS: | 1 |
| LUMINOUS OPENING: RECTANGULAR | |
| Width: | 0.46 (Feet) |
| Length: | 0.58 |
| Height: | 0.00 |
| INPUT WATTS: | 66.4 |

PLANE AND CONE DIAGRAM

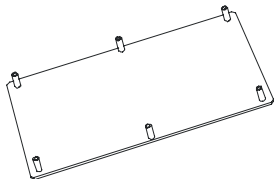


Photometric values based upon tests performed in compliance with LM-79. IES files can be downloaded at www.ilp-inc.com

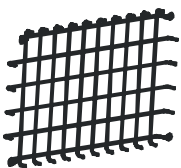
ACCESSORIES



WPC25GLC



WPC25LG



WPC25WG