

Project Name:	Part Number:	Type:
---------------	--------------	-------

AREA LIGHT - 140W LED

OUTDOOR



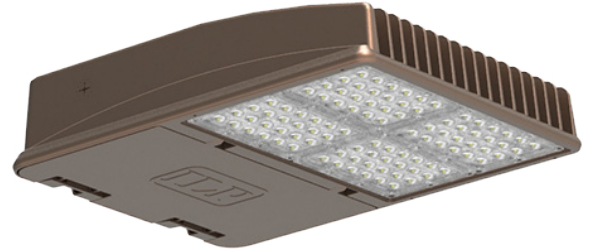
407-478-3759
www.ilp-inc.com

FEATURES

- Bronze die-cast aluminum housing
- Custom and factory select colors available (Contact factory for pricing)
- Type II, III, IV, & VS optics available
- Tool-less hinged drop down driver access
- Universal Pole Mounting Bracket available (UPMB)
- Swappable driver cover
- IP66 Rated
- 3000K, 4000K, & 5000K color options
- 0-10V Dimmable Driver
- Dark Sky Compliant^{1,2}
- 5 year warranty
- DesignLights Consortium® Qualified Luminaire

¹ Must select 3000K to qualify

² Must select UPMB, ARM6, or HTMA mounting options to qualify



SUITABLE APPLICATIONS

- Parking Lots
- Roadways
- Car Dealerships
- Shopping Centers

LED SYSTEMS INFO	4000K				5000K			
	T2	T3	T4	T5S	T2	T3	T4	T5S
Calculated L ₇₀ (TM-21)	>100K	>100K	>100K	>100K	>100K	>100K	>100K	>100K
Delivered Lumens	15,122 lm	16,123 lm	16,042 lm	16,607 lm	15,510 lm	16,537 lm	16,453 lm	17,033 lm
Total Input Watts	138 W	138 W	138 W	138 W	138 W	138 W	138 W	138 W
Luminaire Efficacy Rating (LER)	110 lm/W	117 lm/W	117 lm/W	121 lm/W	113 lm/W	120 lm/W	120 lm/W	124 lm/W
Correlated Color Temperature (CCT)	4000K	4000K	4000K	4000K	5000K	5000K	5000K	5000K
Color Rendering Index (CRI)	>70	>70	>70	>70	>70	>70	>70	>70
BUG Rating	B3-U0-G3	B3-U0-G3	B3-U0-G3	B4-U0-G2	B3-U0-G3	B3-U0-G3	B3-U0-G3	B4-U0-G2
Ambient Temperature Range	-40°F - 115°F	-40°F - 115°F	-40°F - 115°F	-40°F - 115°F	-40°F - 115°F	-40°F - 115°F	-40°F - 115°F	-40°F - 115°F
Universal Driver	120-277 V	120-277 V	120-277 V	120-277 V	120-277 V	120-277 V	120-277 V	120-277 V

LED System data above based on AL-140WLED-UNIV-40 and AL-140WLED-UNIV-50
LED Lumen maintenance estimates based on TM-21 projections for the light source at 25°C ambient.

ORDERING GUIDE:

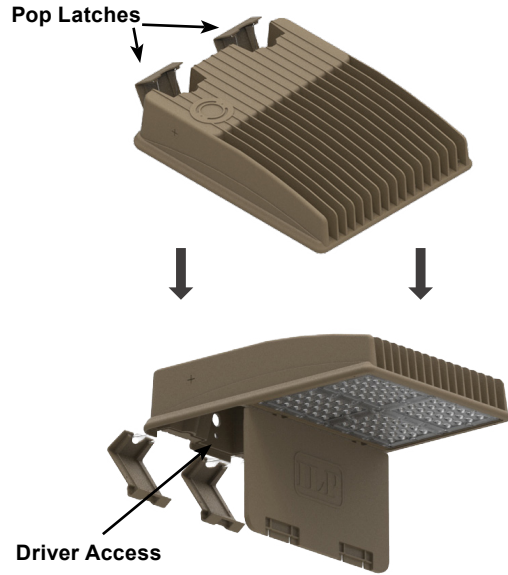
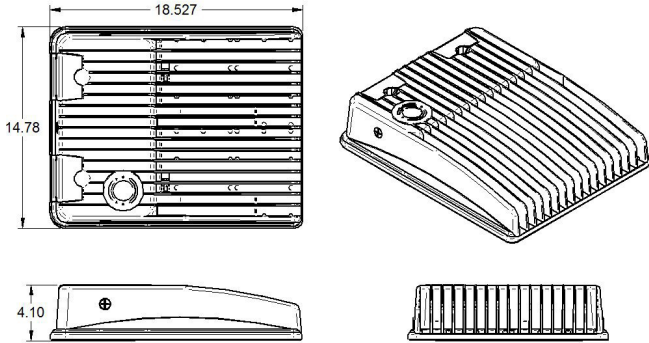
Series	Watts	Driver	Color	Optics	Options
AL Area Light	140WLED	UNIV 120-277V Driver	50 40 30	T2 T3 T4 T5S	ARM6-S 6" Straight Arm Adaptor for Square Pole (Standard) ARM6-Rx 6" Straight Arm Adaptor for Round Pole (x = diameter) UPMB Universal Pole Mounting Bracket UPMB/R Universal Pole Mounting Bracket w/ Round Pole Adapter 4"-5" WMB Wall Mount Bracket AL-SLPF Adjustable Slip Fitter AL-SB Adjustable Swivel Bracket HTMA Horizontal Tenon Mount Adaptor HSS* House Side Shield GS Glare Shield SP1 10kA Max Univolt Surge Protector SP2 22kA Max Univolt Surge Protector TLPC Univ. twist lock photocell factory installed receptacle w/ field installed photocell 7PIN/PC/R 7 Pin Photocell Factory Installed Receptacle FUSE/SXXX Single-line Voltage Fuse (120, 277, 347) FUSE/DXXX Single-line Voltage Fuse (208, 240, 480) SP480V2 20KA MAX 480V Surge Protector WLOS Wet Location Rated Occupancy Sensor USBD User Select Bi-Level Din w/ Occ. Sensor BDxx Preset Bi-Level Dim Sensor (xx=% eg. 20, 30) BDxxPC Preset Bi-Level Dim Sensor w/ Photocell (xx=% eg. 20, 30) FSIR/100 Remote Configuration Tool for WLOS & USBD Control Options SD480V 480V Step Down Transformer SD347V 347V Step Down Transformer

* Due to the optical pattern of the T5S optic the HSS is not applicable

AREA LIGHT - 140W LED

OUTDOOR

TOOL-LESS DRIVER ACCESS



MOUNTING OPTIONS

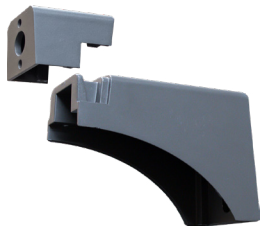
- **UPMB** - Universal Pole Mounting Bracket
- **UPMB/R** - Universal Pole Mounting Bracket
- **WMB** - Wall Mount Bracket
- **AL-SLPF** - Adjustable Slip Fitter
- **AL-SB** - Swivel Bracket
- **HTMA** - Horizontal Tenon Mount Adaptor
- **ARM6-S** - 6" Straight Arm Adaptor For Square Pole
- **ARM6-Rx** - 6" Straight Arm Adaptor For Round Pole (x = Ø)

EPA RATINGS	ARM6-S	UPMB	HTMA	AL-SLPF	AL-SB
AL-140WLED	0.77 ft ²	0.92 ft ²	0.73 ft ²	0.84 ft ²	0.76 ft ²

WEIGHT

23.8 LB

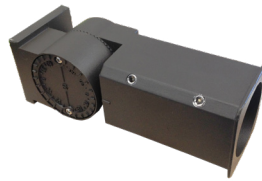
* EPA Ratings listed assume fixture is mounted horizontally. For adjustable mounting options, EPA will vary with selected angle.



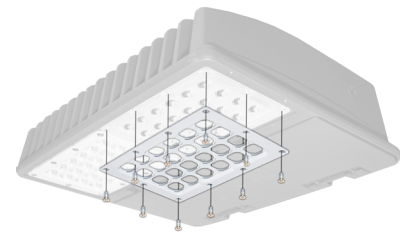
UPMB



WMB



AL-SLPF



HSS
(House Side Shield)



AL-SB



HTMA



ARM6-S
(Available for Square or Round Pole)

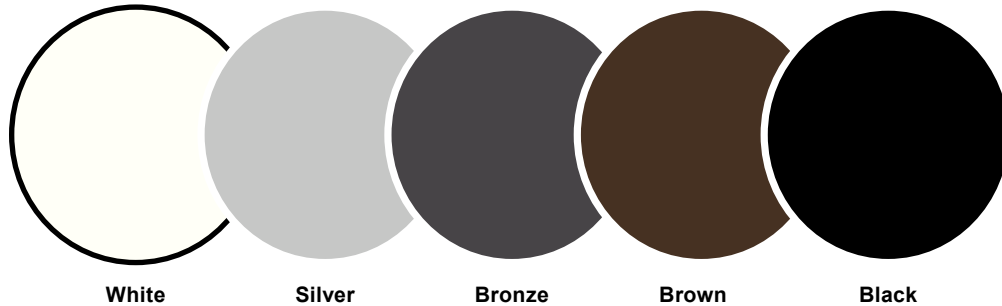


GS
(Glare Shield)

AREA LIGHT - 70W LED

OUTDOOR

FACTORY SELECT COLOR GUIDE



COLOR NAME AND DESCRIPTION	SHEEN	PRODUCT	VENDOR	PRICING
WHT - ILP White	SEMI GLOSS	POLANE T	SHERWIN-WILLIAMS	Contact Factory for Pricing
SLV - ILP Silver - Ultrasonic Chrome	GLOSS	POLANE T	SHERWIN-WILLIAMS	Contact Factory for Pricing
BRZ - ILP Bronze - std. & in stock	SEMI GLOSS	POLANE T	SHERWIN-WILLIAMS	Standard
BRN - ILP Brown	SEMI GLOSS	POLANE T	SHERWIN-WILLIAMS	Contact Factory for Pricing
BLK - ILP Black	SEMI GLOSS	POLANE T	SHERWIN-WILLIAMS	Contact Factory for Pricing

**COLORS SHOWN ABOVE ARE TO BE USED AS REFERENCE, NOT EXACT MATCH.
PLEASE REQUEST PAINT CHIPS FOR EXACT MATCH.**

AREA LIGHT - 140W LED

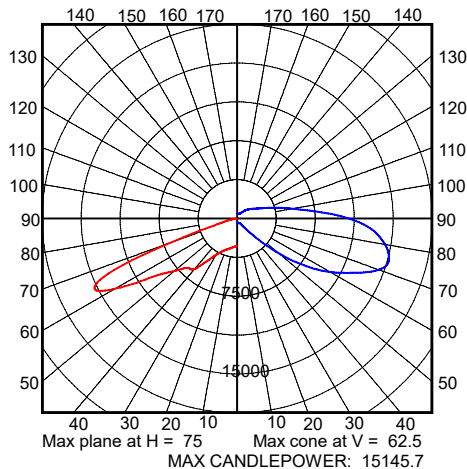
OUTDOOR

AL-140WLED-UNIV-40-T2

SUMMARY DATA

HEMISPHERES TESTED:	BOTH
EFFICIENCY (Downlight/Uplight):	100.0 % / 0.0 %
EFFICIENCY (Street/House):	66.5 % / 33.5 %
ROADWAY CLASSIFICATION:	TYPE II, SHORT
CUTOFF CLASSIFICATION:	NONCUTOFF
LUMENS:	15,920.37
INPUT WATTS:	131.4

CANDELA PLOT

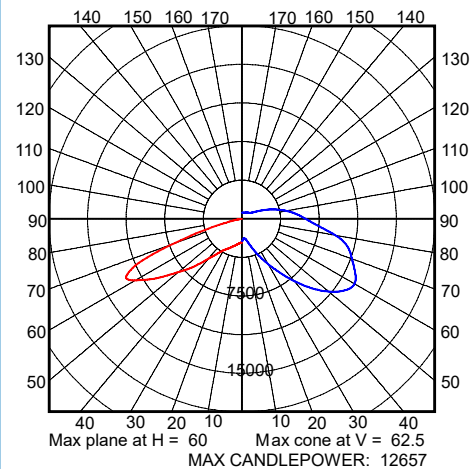


AL-140WLED-UNIV-40-T3

SUMMARY DATA

HEMISPHERES TESTED:	BOTH
EFFICIENCY (Downlight/Uplight):	100.0 % / 0.0 %
EFFICIENCY (Street/House):	74.9 % / 25.1 %
ROADWAY CLASSIFICATION:	TYPE III, SHORT
CUTOFF CLASSIFICATION:	CUTOFF
LUMENS:	16,324.97
INPUT WATTS:	138.5

CANDELA PLOT

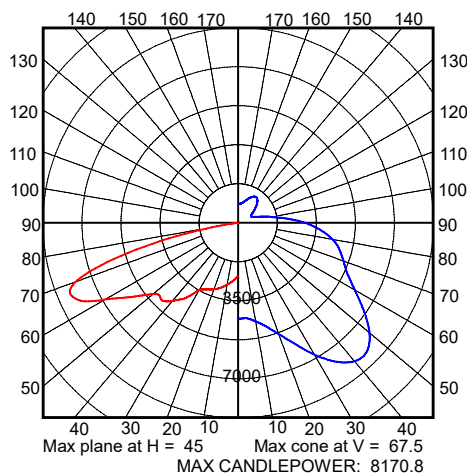


AL-140WLED-UNIV-40-T4

SUMMARY DATA

HEMISPHERES TESTED:	BOTH
EFFICIENCY (Downlight/Uplight):	100.0 % / 0.0 %
EFFICIENCY (Street/House):	76.0 % / 24.0 %
ROADWAY CLASSIFICATION:	TYPE IV, SHORT
CUTOFF CLASSIFICATION:	SEMICUTOFF
LUMENS:	15,381.3
INPUT WATTS:	131

CANDELA PLOT



AL-140WLED-UNIV-40-T5S

SUMMARY DATA

HEMISPHERES TESTED:	BOTH
EFFICIENCY (Downlight/Uplight):	100.0 % / 0.0 %
EFFICIENCY (Street/House):	50.0 % / 50.0 %
ROADWAY CLASSIFICATION:	TYPE VS
CUTOFF CLASSIFICATION:	CUTOFF
LUMENS:	15,921.26
INPUT WATTS:	130.96

CANDELA PLOT

