

Project Name:	Part Number:	Type:
---------------	--------------	-------

AREA LIGHT - 180W LED

OUTDOOR



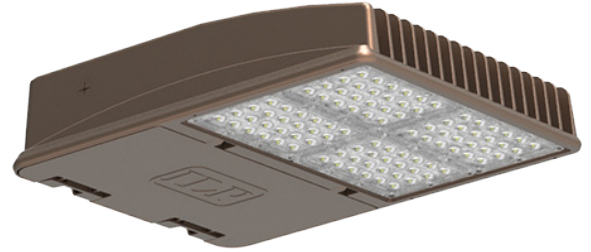
407-478-3759
www.ilp-inc.com

FEATURES

- Bronze die-cast aluminum housing
- Custom and factory select colors available (Contact factory for pricing)
- Type II, III, IV, & VS optics available
- Tool-less hinged drop down driver access
- Universal Pole Mounting Bracket available (UPMB)
- Swappable driver cover
- IP66 Rated
- 3000K, 4000K, & 5000K color options
- 0-10V Dimmable Driver
- Dark Sky Compliant^{1,2}
- 5 year warranty
- DesignLights Consortium® Qualified Luminaire

¹ Must select 3000K to qualify

² Must select UPMB, ARM6, or HTMA mounting options to qualify



SUITABLE APPLICATIONS

- Parking Lots
- Roadways
- Car Dealerships
- Shopping Centers

LED SYSTEMS INFO		T2	T3	T4	T5S			T2	T3	T4	T5S
Calculated L ₇₀ (TM-21)	4000K	>100K	>100K	>100K	>100K	5000K	>100K	>100K	>100K	>100K	
Delivered Lumens		20,662 lm	20,429 lm	19,974 lm	20,620 lm		21,120 lm	20,500 lm	20,044 lm	20,692 lm	
Total Input Watts		177 W	177 W	177 W	177 W		177 W	177 W	177 W	177 W	
Luminaire Efficacy Rating (LER)		117 lm/W	115 lm/W	113 lm/W	116 lm/W		119 lm/W	116 lm/W	113 lm/W	117 lm/W	
Correlated Color Temperature (CCT)		4000K	4000K	4000K	4000K		5000K	5000K	5000K	5000K	
Color Rendering Index (CRI)		>70	>70	>70	>70		>70	>70	>70	>70	
BUG Rating		B3-U0-G3	B3-U0-G3	B3-U0-G3	B4-U0-G4		B3-U0-G3	B3-U0-G3	B3-U0-G3	B4-U0-G4	
Ambient Temperature Range		-40°F -115°F	-40°F -115°F	-40°F -115°F	-40°F -115°F		-40°F -115°F	-40°F -115°F	-40°F -115°F	-40°F -115°F	
Universal Driver		120-277 V	120-277 V	120-277 V	120-277 V		120-277 V	120-277 V	120-277 V	120-277 V	

LED System data above based on AL-180WLED-UNIV-40 and AL-180WLED-UNIV-50
LED Lumen maintenance estimates based on TM-21 projections for the light source at 25°C ambient.

ORDERING GUIDE:

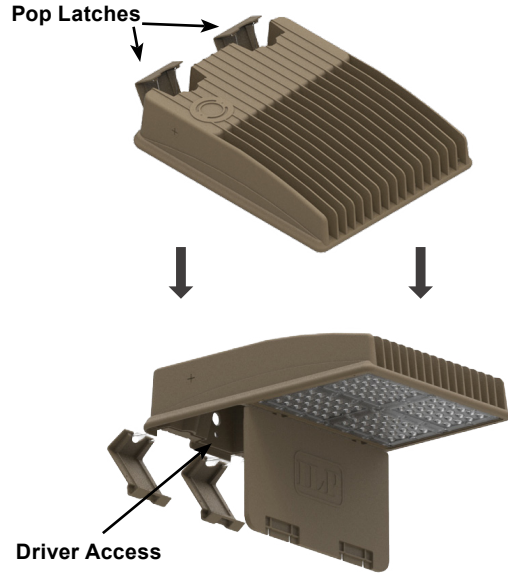
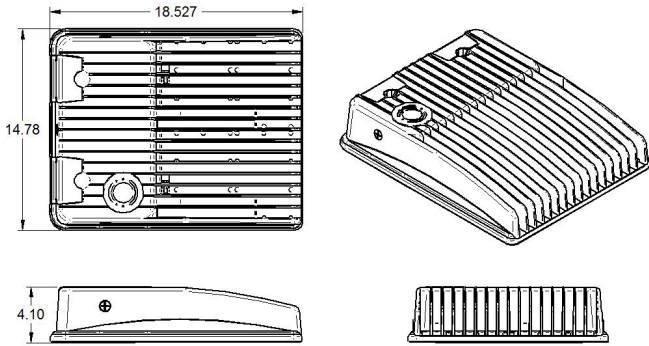
Series	Watts	Driver	Color	Optics	Options
AL Area Light	180WLED	UNIV 120-277V Driver	50 40 30	T2 T3 T4 T5S	ARM6-S 6" Straight Arm Adaptor for Square Pole (Standard) ARM6-Rx 6" Straight Arm Adaptor for Round Pole (x = diameter) UPMB Universal Pole Mounting Bracket UPMB/R Universal Pole Mounting Bracket w/ Round Pole Adapter 4"-5" WMB Wall Mount Bracket AL-SLPF Adjustable Slip Fitter AL-SB Adjustable Swivel Bracket HTMA Horizontal Tenon Mount Adaptor HSS House Side Shield GS Glare Shield SP1 10kA Max Univolt Surge Protector SP2 22kA Max Univolt Surge Protector TLPC Univ. twist lock photocell factory installed receptacle w/ field installed photocell 7PIN/PC/R 7 Pin Photocell Factory Installed Receptacle FUSE/SXXX Single-line Voltage Fuse (120, 277, 347) FUSE/DXXX Single-line Voltage Fuse (208, 240, 480) SP480V2 20KA MAX 480V Surge Protector WLOS Wet Location Rated Occupancy Sensor USBD User Select Bi-Level Din w/ Occ. Sensor BDxx Preset Bi-Level Dim Sensor (xx=% eg. 20, 30) BDxxPC Preset Bi-Level Dim Sensor w/ Photocell (xx=% eg. 20, 30) FSIR/100 Remote Configuration Tool for WLOS & USB Control Options SD480V 480V Step Down Transformer SD347V 347V Step Down Transformer

* Due to the optical pattern of the T5S optic the HSS is not applicable

AREA LIGHT - 180W LED

OUTDOOR

TOOL-LESS DRIVER ACCESS



MOUNTING OPTIONS

- **UPMB** - Universal Pole Mounting Bracket
- **UPMB/R** - Universal Pole Mounting Bracket
- **WMB** - Wall Mount Bracket
- **AL-SLPF** - Adjustable Slip Fitter
- **AL-SB** - Swivel Bracket
- **HTMA** - Horizontal Tenon Mount Adaptor
- **ARM6-S** - 6" Straight Arm Adaptor For Square Pole
- **ARM6-Rx** - 6" Straight Arm Adaptor For Round Pole (x = Ø)

EPA RATINGS	ARM6-S	UPMB	HTMA	AL-SLPF	AL-SB
AL-180WLED	0.77 ft ²	0.92 ft ²	0.73 ft ²	0.84 ft ²	0.76 ft ²

WEIGHT

25.4 LB

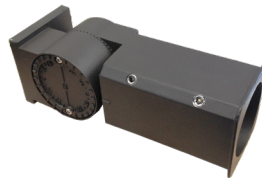
* EPA Ratings listed assume fixture is mounted horizontally. For adjustable mounting options, EPA will vary with selected angle.



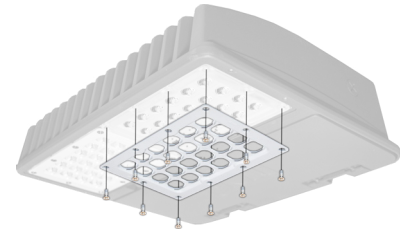
UPMB



WMB



AL-SLPF



HSS
(House Side Shield)



AL-SB



HTMA



ARM6-S
(Available for Square or Round Pole)

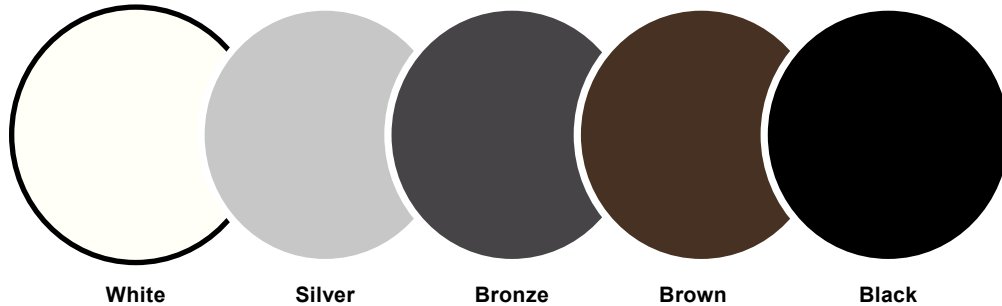


GS
(Glare Shield)

AREA LIGHT - 180W LED

OUTDOOR

FACTORY SELECT COLOR GUIDE



COLOR NAME AND DESCRIPTION	SHEEN	PRODUCT	VENDOR	PRICING
WHT - ILP White	SEMI GLOSS	POLANE T	SHERWIN-WILLIAMS	Contact Factory for Pricing
SLV - ILP Silver - Ultrasonic Chrome	GLOSS	POLANE T	SHERWIN-WILLIAMS	Contact Factory for Pricing
BRZ - ILP Bronze - std. & in stock	SEMI GLOSS	POLANE T	SHERWIN-WILLIAMS	Standard
BRN - ILP Brown	SEMI GLOSS	POLANE T	SHERWIN-WILLIAMS	Contact Factory for Pricing
BLK - ILP Black	SEMI GLOSS	POLANE T	SHERWIN-WILLIAMS	Contact Factory for Pricing

**COLORS SHOWN ABOVE ARE TO BE USED AS REFERENCE, NOT EXACT MATCH.
PLEASE REQUEST PAINT CHIPS FOR EXACT MATCH.**

AREA LIGHT - 180W LED

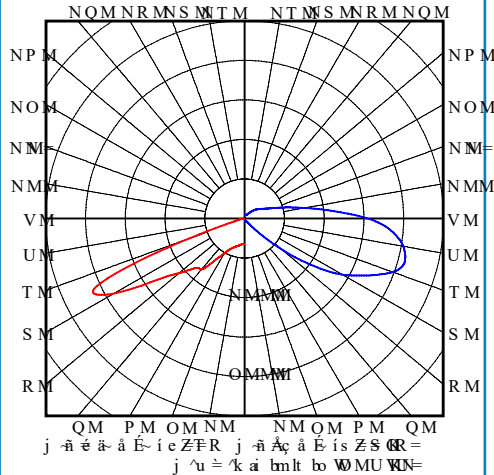
OUTDOOR

AL-180WLED-UNIV-40-T2

SUMMARY DATA

HEMISPHERES TESTED:	BOTH
EFFICIENCY (Downlight/Uplight):	100.0 % / 0.0 %
EFFICIENCY (Street/House):	67.1 % / 32.9 %
ROADWAY CLASSIFICATION:	TYPE II, SHORT
CUTOFF CLASSIFICATION:	SEMICUTOFF
LUMENS:	20,510
INPUT WATTS:	181.5

CANDELA PLOT

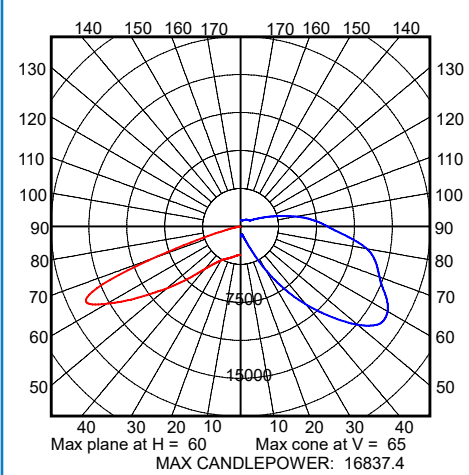


AL-180WLED-UNIV-40-T3

SUMMARY DATA

HEMISPHERES TESTED:	BOTH
EFFICIENCY (Downlight/Uplight):	100.0 % / 0.0 %
EFFICIENCY (Street/House):	75.3 % / 24.7 %
ROADWAY CLASSIFICATION:	TYPE III, SHORT
CUTOFF CLASSIFICATION:	CUTOFF
LUMENS:	19,470.14
INPUT WATTS:	174.3

CANDELA PLOT

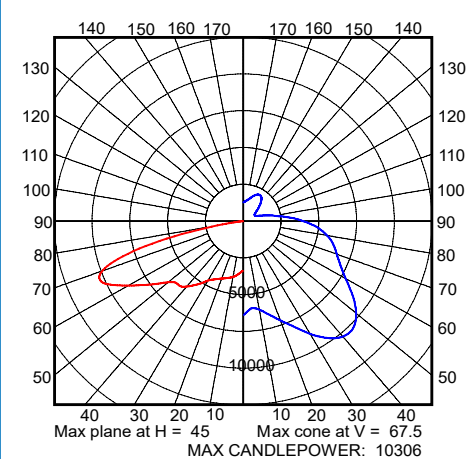


AL-180WLED-UNIV-40-T4

SUMMARY DATA

HEMISPHERES TESTED:	BOTH
EFFICIENCY (Downlight/Uplight):	100.0 % / 0.0 %
EFFICIENCY (Street/House):	75.3 % / 24.7 %
ROADWAY CLASSIFICATION:	TYPE IV, SHORT
CUTOFF CLASSIFICATION:	SEMICUTOFF
LUMENS:	20,490.10
INPUT WATTS:	187.6

CANDELA PLOT



AL-180WLED-UNIV-40-T5S

SUMMARY DATA

HEMISPHERES TESTED:	BOTH
EFFICIENCY (Downlight/Uplight):	100.0 % / 0.0 %
EFFICIENCY (Street/House):	48.7 % / 51.3 %
ROADWAY CLASSIFICATION:	TYPE VS
CUTOFF CLASSIFICATION:	CUTOFF
LUMENS:	20,486.83
INPUT WATTS:	181.5

CANDELA PLOT

