

Project Name:	Part Number:	Type:
---------------	--------------	-------

DUSK TO DAWN - 50W LED



407-478-3759
www.ilp-inc.com

FEATURES

- Die Cast Aluminum Housing
- Bronze Architectural Powder Coat Finish
- Opal Acrylic Lens
- 4000K
- Rated for Wet Locations
- Installs With or Without Arm (Included)
- Universal Voltage (120V - 277V)
- Supplied with Twist Lock Photocell for 120V - 277V
- 5 Year Warranty
- DesignLights Consortium® Qualified Luminaire



SUITABLE APPLICATIONS

- Barns
- Buildings
- General Area Lighting
- Pedestrian Walkways

REPLACES
150W - 250W MH

LED SYSTEMS INFO	CAL
Calculated L ₇₀ (TM-21)	>50K
Delivered Lumens	4,786 lm
Total Input Watts	49 W
Luminaire Efficacy Rating (LER)	98 lm/W
Correlated Color Temperature (CCT)	4000K
Color Rendering Index (CRI)	>70
Ambient Temperature Range	-4°F-115°F
Universal Driver	120-277 V

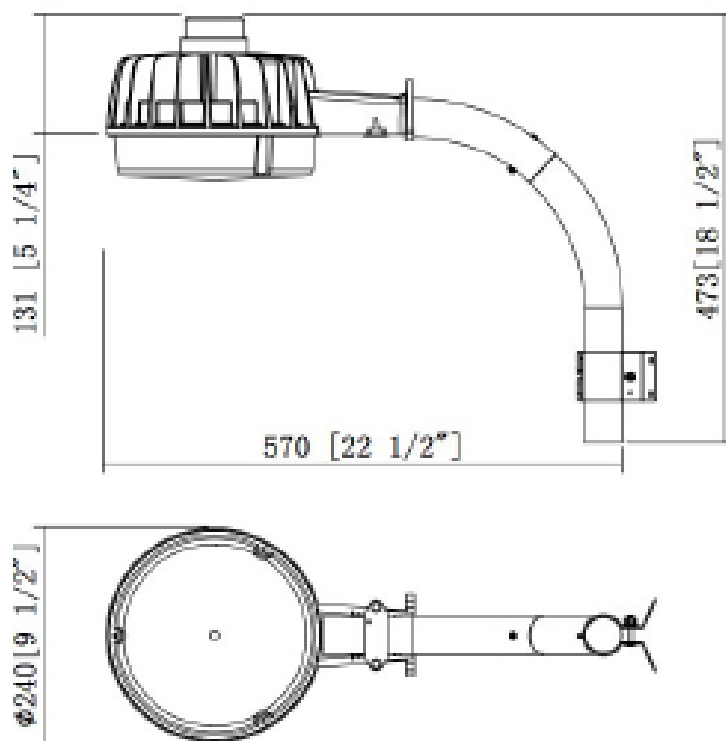
LED System data above based on D2D-50WLED-UNIV-40.
LED Lumen Maintenance Estimates based on TM-21 projections for the light source at 25°C ambient.

ORDERING GUIDE:

Series	Watts	Driver	Color	Description
<input checked="" type="checkbox"/> D2D	<input checked="" type="checkbox"/> 50WLED	<input checked="" type="checkbox"/> UNIV 120-277 V Driver	<input checked="" type="checkbox"/> 40	Dusk To Dawn With Photocontrol And Conduit Arm (251/4"/64mm)

DUSK TO DAWN - 50W LED

LINE DRAWING



MOUNTING OPTIONS

- Direct Mounting to Wall or Vertical Surface
- Arm Mount Luminaire to Wall or Vertical Surface Use With Supplied Two Section Pipe Arm



**Extension Arm
(Included)**

DUSK TO DAWN - 50W LED

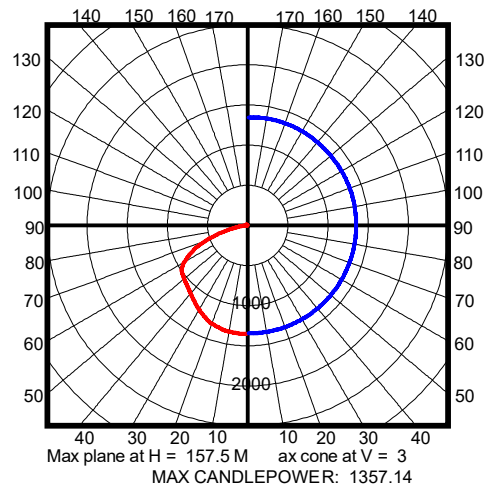
PHOTOMETRIC REPORT

D2D-50WLED-UNIV-40

SUMMARY DATA

HEMISPHERES TESTED:	BOTH
EFFICIENCY (Downlight/Uplight):	97.4 % / 2.5 %
EFFICIENCY (Street / House):	48.8 % / 51.1 %
ROADWAY CLASSIFICATION:	TYPE VS
CUTOFF CLASSIFICATION:	CUTOFF
LUMENS:	4786.5
INPUT WATTS:	48.7

CANDELA PLOT



Photometric values based upon tests performed in compliance w/ LM-79. Download IES files at www.ilp-inc.com