

FULL CUTOFF WALL PACK - 105W LED



407-478-3759
www.ilp-inc.com

OUTDOOR

FEATURES

- Bronze die-cast aluminium housing
- Custom and factory select colors available (Contact factory for pricing)
- Hinged full cutoff front frame
- ½" Coin plugs with o-rings for conduit or optional photocell
- Forward throw optic lens
- Cast-in template for mounting directly over a 4" recessed outlet box
- 3000K, 4000K and 5000K CCT
- 0-10V Dimmable Driver
- Dark Sky Compliant, 3000K is IDA Listed
- 120-277V Universal Voltage
- 5 Year Warranty
- ETL Listed for Wet Location
- DesignLights Consortium® Qualified Luminaire



SUITABLE APPLICATIONS

- Parking Lots
- Loading Dock Areas
- Exterior Wall Lighting
- Building Entrance Ways

LED SYSTEMS INFO		T2	T3	T4		T2	T3	T4
Calculated L ₇₀ (TM-21)	4000K	>100K	>100K	>100K	5000K	>100K	>100K	>100K
Delivered Lumens		12,246 lm	11,721 lm	11,404 lm		11,767 lm	11,263 lm	10,990 lm
Total Input Watts		105 W	105 W	105 W		105 W	105 W	106 W
Luminaire Efficacy Rating (LER)		116 lm/W	111 lm/W	108 lm/W		112 lm/W	107 lm/W	104 lm/W
Correlated Color Temperature (CCT)		4000K	4000K	4000K		5000K	5000K	5000K
Color Rendering Index (CRI)		>70	>70	>70		>70	>70	>70
BUG Rating		B2 U0 G2	B2 U0 G2	B2 U0 G2		B2 U0 G2	B2 U0 G2	B2 U0 G2
Maximum Ambient Temperature		120°F	120°F	120°F		120°F	120°F	120°F
Universal Driver		120-277 V	120-277 V	120-277 V		120-277 V	120-277 V	120-277 V

LED System data above based on WPCM-105WLED-UNIV-40 and WPCM-105WLED-UNIV-50
LED Lumen maintenance estimates based on TM-21 projections for the light source at 25°C ambient.

ORDERING GUIDE:

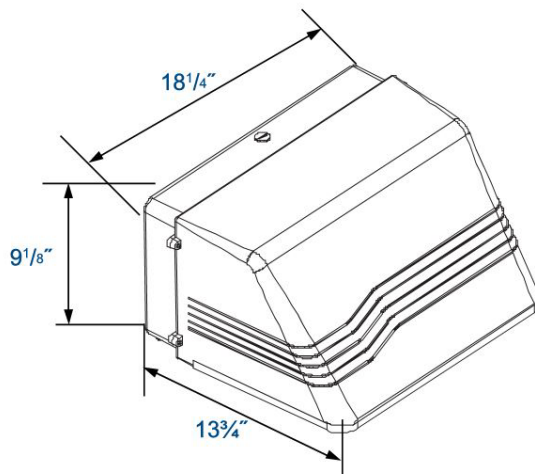
Series	Watts	Driver	Color	Optics	Options
WPCM Full Cutoff Wall Pack	105WLED	UNIV 120-277V Driver	50 40 30	T2 T3 T4	WPC25WG Wire Guard,SS Construction DD Dual Driver (Cannot be combined w/ SD or BB) PC Photocell Universal Voltage (120-277V) SMLxxxx Specified Max Lumen Output (xxxx=lumen output) SP1 10kA Max Univolt Surge Protector SP2 22kA Max Univolt Surge Protector SP480V2 20kA Max 480V Surge Protector FUSE/SXXX Single-line Voltage Fuse (120, 277, 347) FUSE/DXXX Dual-line Voltage Fuse (208, 240, 480) WLOS Wet Location Sensor Installed USBD User Select Bi-Level Din w/ Occ. Sensor BDxx Preset Bi-Level Dim Sensor (xx=% eg. 20, 30) BDxxPC Preset Bi-Level Dim Sensor w/ Photocell (xx=% eg. 20, 30) FSIR/100 Remote Configuration Tool (WLOS, USBD, BDxx & BDxxPC) FI/ILBCP05 5W LED Factory Installed Battery Backup FI/ILBCP07 7W LED Factory Installed Battery Backup FI/ILBCP10 10W LED Factory Installed Battery Backup FI/ILBCP12 12W LED Factory Installed Battery Backup LEDBBCT -4°F - 80°F 10W Battery Backup SD480V 480V Step Down Transformer SD347V 347V Step Down Transformer

† SP1/SP2 specified in combination w/ battery backup/dual driver options, separate surge units are required per electrical line.

FULL CUTOFF WALL PACK - 105W LED

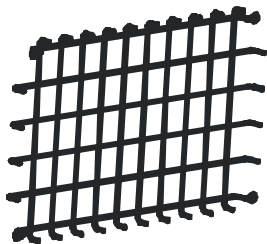
OUTDOOR

LINE DRAWING

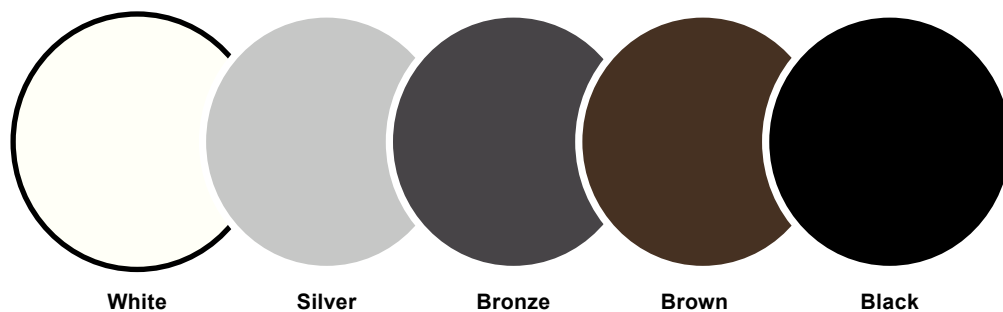


SECURITY OPTIONS

- WPC25WG - Wire Guard, SS Construction



FACTORY SELECT COLOR GUIDE



COLOR NAME AND DESCRIPTION	SHEEN	PRODUCT	VENDOR	PRICING
WHT - ILP White	SEMI GLOSS	POLANE T	SHERWIN-WILLIAMS	Contact Factory for Pricing
SLV - ILP Silver - Ultrasonic Chrome	GLOSS	POLANE T	SHERWIN-WILLIAMS	Contact Factory for Pricing
BRZ - ILP Bronze - std. & in stock	SEMI GLOSS	POLANE T	SHERWIN-WILLIAMS	Standard
BRN - ILP Brown	SEMI GLOSS	POLANE T	SHERWIN-WILLIAMS	Contact Factory for Pricing
BLK - ILP Black	SEMI GLOSS	POLANE T	SHERWIN-WILLIAMS	Contact Factory for Pricing

**COLORS SHOWN ABOVE ARE TO BE USED AS REFERENCE, NOT EXACT MATCH.
PLEASE REQUEST PAINT CHIPS FOR EXACT MATCH.**

FULL CUTOFF WALL PACK - 105W LED

OUTDOOR

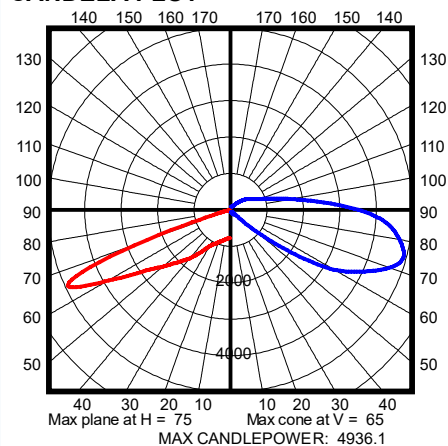
PHOTOMETRIC REPORTS

WPCM-105WLED-UNIV-40-T2

SUMMARY DATA

HEMISPHERES TESTED:	BOTH
EFFICIENCY (Downlight/Uplight):	100.0 % / 0.0 %
EFFICIENCY (Street/House):	66.1 % / 33.9 %
ROADWAY CLASSIFICATION:	TYPE II, SHORT
CUTOFF CLASSIFICATION:	NONCUTOFF
LUMENS:	4,883.41
INPUT WATTS:	43.3

CANDELA PLOT



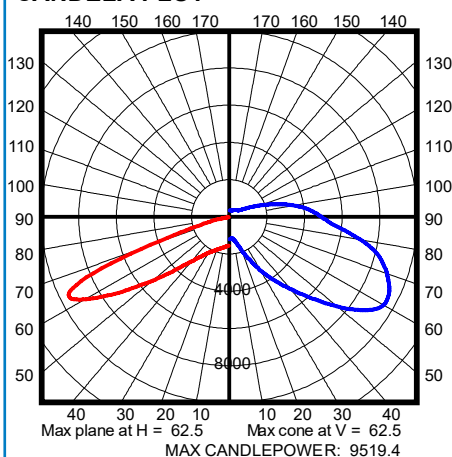
Photometric values based upon tests performed in compliance w/ LM-79.
Download IES files at www.ilp-inc.com

WPCM-105WLED-UNIV-40-T3

SUMMARY DATA

HEMISPHERES TESTED:	BOTH
EFFICIENCY (Downlight/Uplight):	100.0 % / 0.0 %
EFFICIENCY (Street/House):	74.6 % / 25.4 %
ROADWAY CLASSIFICATION:	TYPE III, SHORT
CUTOFF CLASSIFICATION:	CUTOFF
LUMENS:	11,046.88
INPUT WATTS:	106.23

CANDELA PLOT



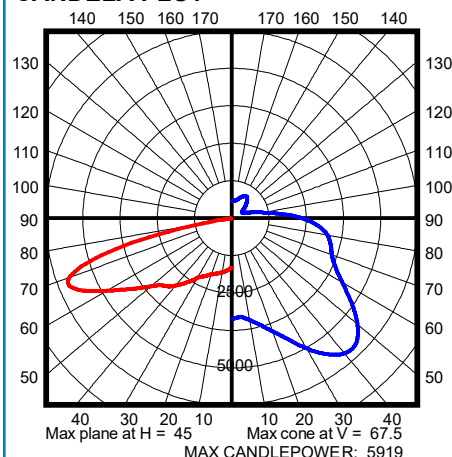
Photometric values based upon tests performed in compliance w/ LM-79.
Download IES files at www.ilp-inc.com

WPCM-105WLED-UNIV-40-T4

SUMMARY DATA

HEMISPHERES TESTED:	BOTH
EFFICIENCY (Downlight/Uplight):	100.0 % / 0.0 %
EFFICIENCY (Street/House):	77.8 % / 22.2 %
ROADWAY CLASSIFICATION:	TYPE IV, SHORT
CUTOFF CLASSIFICATION:	SEMICUTOFF
LUMENS:	10,753.74
INPUT WATTS:	106.12

CANDELA PLOT



Photometric values based upon tests performed in compliance w/ LM-79.
Download IES files at www.ilp-inc.com