

Project Name:	Part Number:	Type:
---------------	--------------	-------

# FULL CUTOFF WALL PACK - 28W LED

## OUTDOOR



407-478-3759  
www.ilp-inc.com

### FEATURES

- Bronze die-cast aluminum housing
- Custom and factory select colors available (Contact factory for pricing)
- Hinged full cutoff front frame
- ½" Coin plugs with o-rings for conduit or optional photocell
- Multiple Optics Available: Type II, III, & IV
- Forward throw optic lens
- Cast-in template for mounting directly over a 4" recessed outlet box
- 3000K, 4000K and 5000K CCT
- Motion & bi-level dim control options available
- 0-10V Dimmable Driver
- Dark Sky Compliant, 3000K is IDA Listed
- 120-277V Universal Voltage
- 5 Year Warranty
- ETL Listed for Wet Location
- DesignLights Consortium® Premium Qualified Luminaire



### SUITABLE APPLICATIONS

- Parking Lots
- Loading Dock Areas
- Exterior Wall Lighting
- Building Entrance Ways

LED SYSTEMS INFO		T2	T3	T4		T2	T3	T4
Calculated L <sub>70</sub> (TM-21)	4000K	>100K	>100K	>100K	5000K	>100K	>100K	>100K
Delivered Lumens		3,655 lm	3,574 lm	3,513 lm		3,891 lm	3,805 lm	3,701 lm
Total Input Watts		27 W	27 W	27 W		27 W	27 W	27 W
Luminaire Efficacy Rating (LER)		138 lm/W	138 lm/W	132 lm/W		146 lm/W	143 lm/W	139 lm/W
Correlated Color Temperature (CCT)		4000K	4000K	4000K		5000K	5000K	5000K
Color Rendering Index (CRI)		>70	>70	>70		>70	>70	>70
BUG Rating		B1 U0 G1	B1 U0 G1	B1 U0 G1		B1 U0 G1	B1 U0 G1	B1 U0 G1
Maximum Ambient Temperature		125°F	125°F	125°F		135°F	135°F	135°F
Universal Driver	120-277 V	120-277 V	120-277 V	120-277 V	120-277 V	120-277 V		

LED System data above based on WPCM-28WLED-UNIV-40 and WPCM-28WLED-UNIV-50  
LED Lumen maintenance estimates based on TM-21 projections for the light source at 25°C ambient.

### ORDERING GUIDE:

Series	Watts	Driver	Color	Optics	Options
<b>WPCM</b> Full Cutoff Wall Pack	<b>28WLED</b>	<b>UNIV</b> 120-277V Driver	<b>50</b> <b>40</b> <b>30</b>	<b>T2</b> <b>T3</b> <b>T4</b>	<b>WPC25WG</b> Wire Guard, SS Construction <b>DD</b> Dual Driver (Cannot be combined w/ SD or BB) <b>PC</b> Photocell Universal Voltage (120-277V) <b>SMLxxxx</b> Specified Max Lumen Output (xxxx=lumen output) <b>SP1**</b> 10kA Max Univolt Surge Protector <b>SP2**</b> 22kA Max Univolt Surge Protector <b>SP480V2*</b> 20kA Max 480V Surge Protector <b>FUSE/SXXX</b> Single-line Voltage Fuse (120, 277, 347) <b>FUSE/DXXX</b> Dual-line Voltage Fuse (208, 240, 480) <b>WLOS*</b> Wet Location Sensor Installed <b>USBD*</b> User Select Bi-Level Din w/ Occ. Sensor <b>BDxx*</b> Preset Bi-Level Dim Sensor (xx=% eg. 20, 30) <b>BDxxPC*</b> Preset Bi-Level Dim Sensor w/ Photocell (xx=% eg. 20, 30) <b>FSIR/100</b> Remote Configuration Tool (WLOS, USBD, BDxx & BDxxPC) <b>FI/ILBCP05*</b> 5W LED Factory Installed Battery Backup <b>FI/ILBCP07*</b> 7W LED Factory Installed Battery Backup <b>FI/ILBCP10*</b> 10W LED Factory Installed Battery Backup <b>FI/ILBCP12*</b> 12W LED Factory Installed Battery Backup <b>LEDBBCT*</b> -4°F - 80°F 10W Battery Backup <b>SD480V*</b> 480V Step Down Transformer <b>SD347V*</b> 347V Step Down Transformer

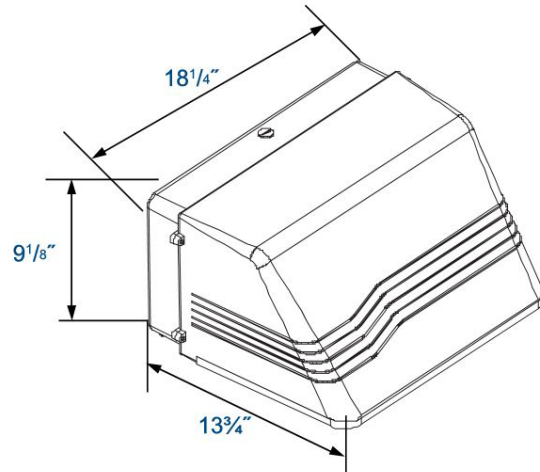
\* DLC Listed Configuration

\*\* SP1/SP2 specified in combination w/ battery backup/dual driver  
separate surge units are required per electrical line

# FULL CUTOFF WALL PACK - 28W LED

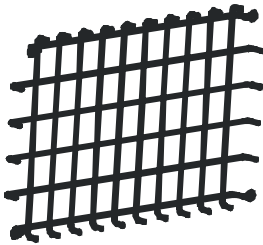
OUTDOOR

## LINE DRAWING

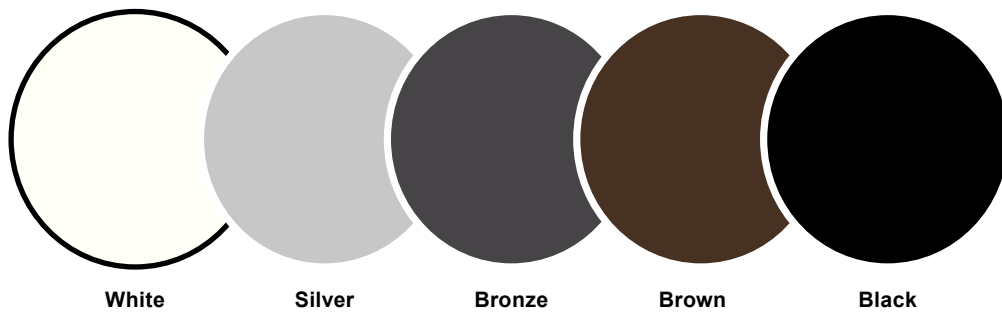


## SECURITY OPTIONS

- **WPC25WG** - Wire Guard, SS Construction



## FACTORY SELECT COLOR GUIDE



COLOR NAME AND DESCRIPTION	SHEEN	PRODUCT	VENDOR	PRICING
WHT - ILP White	SEMI GLOSS	POLANE T	SHERWIN-WILLIAMS	Contact Factory for Pricing
SLV - ILP Silver - Ultrasonic Chrome	GLOSS	POLANE T	SHERWIN-WILLIAMS	Contact Factory for Pricing
BRZ - ILP Bronze - std. & in stock	SEMI GLOSS	POLANE T	SHERWIN-WILLIAMS	Standard
BRN - ILP Brown	SEMI GLOSS	POLANE T	SHERWIN-WILLIAMS	Contact Factory for Pricing
BLK - ILP Black	SEMI GLOSS	POLANE T	SHERWIN-WILLIAMS	Contact Factory for Pricing

**COLORS SHOWN ABOVE ARE TO BE USED AS REFERENCE, NOT EXACT MATCH.  
PLEASE REQUEST PAINT CHIPS FOR EXACT MATCH.**

# FULL CUTOFF WALL PACK - 28W LED

## OUTDOOR

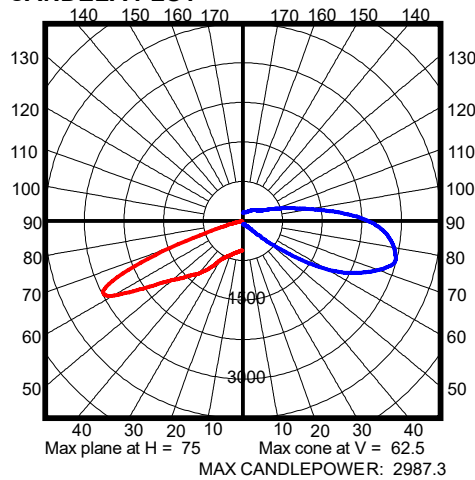
### PHOTOMETRIC REPORTS

#### WPCM-28WLED-UNIV-40-T2

##### SUMMARY DATA

HEMISPHERES TESTED:	BOTH
EFFICIENCY (Downlight/Uplight):	100.0 % / 0.0 %
EFFICIENCY (Street/House):	62.7 % / 37.3 %
ROADWAY CLASSIFICATION:	TYPE II, SHORT
CUTOFF CLASSIFICATION:	NONCUTOFF
LUMENS:	3,384.48
INPUT WATTS:	26.62

##### CANDELA PLOT



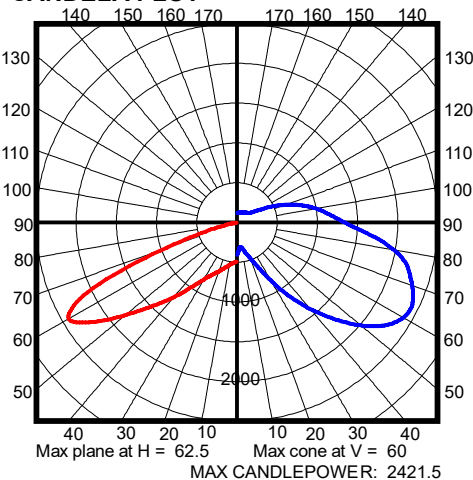
Photometric values based upon tests performed in compliance w/ LM-79.  
 Download IES files at [www.ilp-inc.com](http://www.ilp-inc.com)

#### WPCM-28WLED-UNIV-40-T3

##### SUMMARY DATA

HEMISPHERES TESTED:	BOTH
EFFICIENCY (Downlight/Uplight):	100.0 % / 0.0 %
EFFICIENCY (Street/House):	71.9 % / 28.1 %
ROADWAY CLASSIFICATION:	TYPE III, SHORT
CUTOFF CLASSIFICATION:	CUTOFF
LUMENS:	3,314.18
INPUT WATTS:	26.59

##### CANDELA PLOT



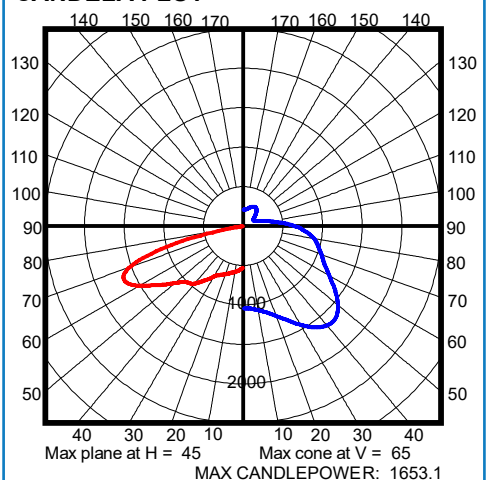
Photometric values based upon tests performed in compliance w/ LM-79.  
 Download IES files at [www.ilp-inc.com](http://www.ilp-inc.com)

#### WPCM-28WLED-UNIV-40-T4

##### SUMMARY DATA

HEMISPHERES TESTED:	BOTH
EFFICIENCY (Downlight/Uplight):	100.0 % / 0.0 %
EFFICIENCY (Street/House):	76.1 % / 23.9 %
ROADWAY CLASSIFICATION:	TYPE IV, SHORT
CUTOFF CLASSIFICATION:	SEMICUTOFF
LUMENS:	3,238.04
INPUT WATTS:	26.60

##### CANDELA PLOT



Photometric values based upon tests performed in compliance w/ LM-79.  
 Download IES files at [www.ilp-inc.com](http://www.ilp-inc.com)