

2x2 FLAT LENS TROFFER RETROFIT KIT

TROFFER RETROFIT



407-478-3759
www.ilp-inc.com

FEATURES

- American made
- Architectural design
- .040 Aluminum pre-painted housing
- One-piece unit with universal mounting brackets for rapid installation
- Post paint available
- Flat frosted acrylic lens easily removes for cleaning
- 3000K, 3500K & 4000K CCT
- 0-10V Dimmable Driver (100%-1%)
- 120-277V Universal Voltage
- EasySense Control Available
- 5 Year Warranty
- ETL Listed
- DesignLights Consortium® Qualified Luminaire



SUITABLE APPLICATIONS

- Offices
- Multipurpose Rooms
- Hallways
- Conference Rooms

| LED SYSTEMS INFO | 19W | 30W | 45W |
|---|--------------|--------------|--------------|
| Calculated L ₇₀ (TM-21) | >100K | >100K | >100K |
| Delivered Lumens | 2,217 lm | 3,385 lm | 4,735 lm |
| Total Input Watts | 19 W | 30 W | 44 W |
| Luminaire Efficacy Rating (LER) | 118 lm/W | 113 lm/W | 107 lm/W |
| Correlated Color Temperature (CCT) | 4000K | 4000K | 4000K |
| Color Rendering Index (CRI) | >80 | >80 | >80 |
| Ambient Temperature Range | -4°F - 120°F | -4°F - 120°F | -4°F - 120°F |
| Universal Driver | 120-277 V | 120-277 V | 120-277 V |
| LED System data above based on FLTR22-19WLED-UNIV-40, FLTR22-30WLED-UNIV-40 & FLTR22-45WLED-UNIV-40 LED Lumen maintenance estimates based on TM-21 projections for the light source at 25°C ambient. | | | |

ORDERING GUIDE:

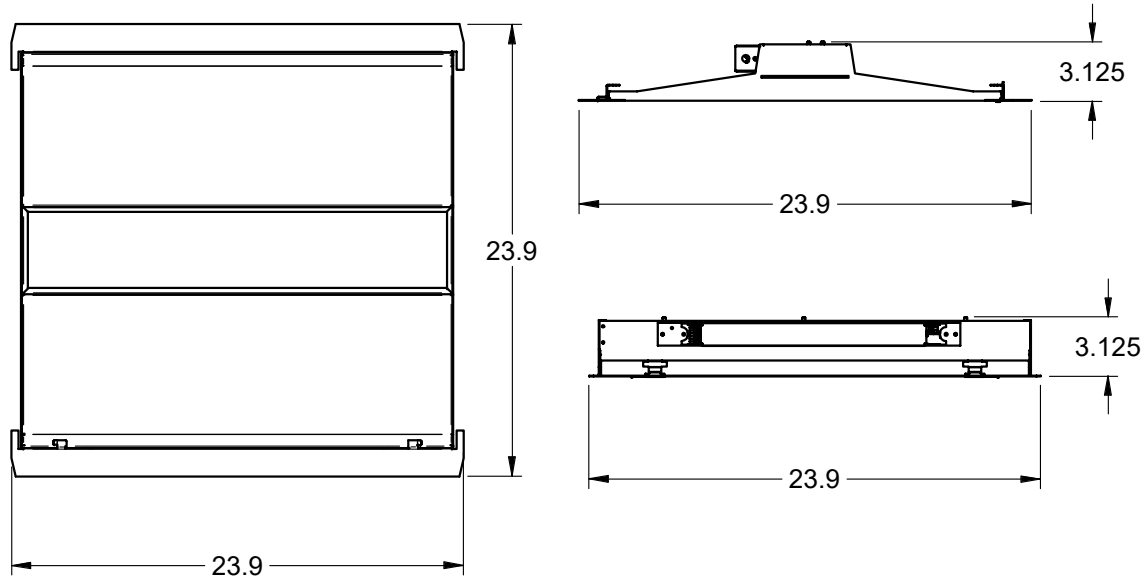
| Series | Watts | Driver | Color | Options | |
|--|---|-----------------------------|-------------------------------------|--|---|
| FLTR22 Flat Lens Troffer Retrofit 2x2 | 19WLED 30WLED 45WLED | UNIV 120-277V Driver | 40 35 30 | POSTP ES ES/PCD ES/WWS SR DR VDO† VRF† BLD* DIMxx FI/ILBCP05** FI/ILBCP07** FI/ILBCP10** FI/ILBCP12** SD480* SD347* | Post painted aluminum EasySense Control Pre-Installed app on control device EasySense Wall Switch Sensor Ready Driver DALI-Ready Driver Lutron VIVE DFCSJ-OEM-OCC (Daylight & Occupancy) Lutron VIVE DFCSJ-OEM-RF (RF only) Bi-Level Dim (controlled via 2 hot leads) Factory set custom Dim Level (1% Dimming Driver) Factory Installed 5W LED Battery Backup Factory Installed 7W LED Battery Backup Factory Installed 10W LED Battery Backup Factory Installed 12W LED Battery Backup 480V Step Down Transformer 347V Step Down Transformer |

† Must be used with SR Sensor Ready Driver
* Does not qualify for DLC. Call factory for details.
** Battery backup options see field installed LEDBB sheet.

2x2 FLAT LENS TROFFER RETROFIT KIT

TROFFER RETROFIT

LINE DRAWING



PHOTOMETRIC REPORTS

Photometric values based upon tests performed in compliance w/ LM-79. Download IES files at www.ilp-inc.com

