

# 2x4 FLAT LENS TROFFER RETROFIT KIT

## TROFFER RETROFIT



407-478-3759  
www.ilp-inc.com

### FEATURES

- American made
- Architectural design
- .040 Aluminum pre-painted housing
- One-piece unit with universal mounting brackets for rapid installation
- Post paint available
- Flat frosted acrylic lens easily removes for cleaning
- 3000K, 3500K & 4000K CCT
- 0-10V Dimmable Driver (100%-1%)
- 120-277V Universal Voltage
- EasySense Control Available
- 5 Year Warranty
- ETL Listed
- DesignLights Consortium® Qualified Luminaire



### SUITABLE APPLICATIONS

- Offices
- Hallways
- Multipurpose Rooms
- Conference Rooms

LED SYSTEMS INFO	26W	35W	45W
Calculated L <sub>70</sub> (TM-21)	>100K	>100K	>100K
Delivered Lumens	3,244 lm	4,217 lm	5,174 lm
Total Input Watts	26 W	35 W	45 W
Luminaire Efficacy Rating (LER)	126 lm/W	120 lm/W	115 lm/W
Correlated Color Temperature (CCT)	4000K	4000K	4000K
Color Rendering Index (CRI)	>80	>80	>80
Ambient Temperature Range	-4°F - 120°F	-4°F - 120°F	-4°F - 120°F
Universal Driver	120-277 V	120-277 V	120-277 V

LED System data above based on FLTR24-19WLED-UNIV-40, FLTR24-30WLED-UNIV-40 & FLTR24-45WLED-UNIV-40  
LED Lumen maintenance estimates based on TM-21 projections for the light source at 25°C ambient.

### ORDERING GUIDE:

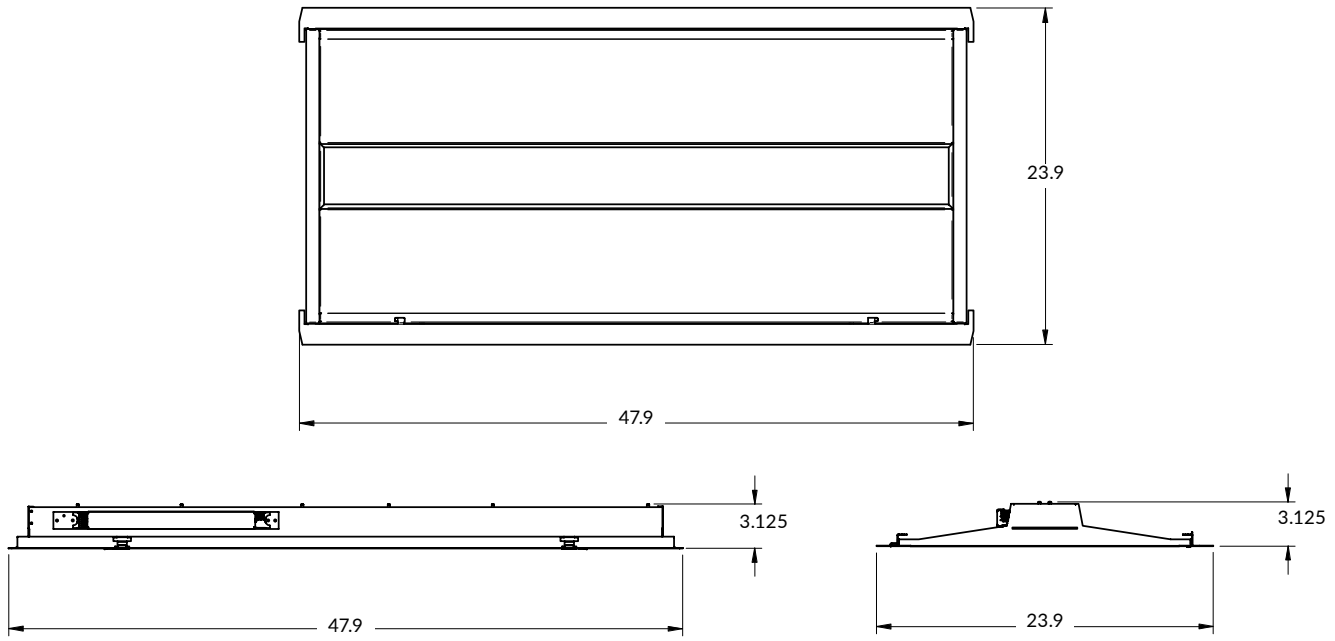
Series	Watts	Driver	Color	Options	
FLTR24 Flat Lens Troffer Retrofit 2x4	26WLED	UNIV 120-277V Driver	40	POSTP	Post painted aluminum
	35WLED		35	ES	EasySense Control
	45WLED		30	ES/PCD	Pre-Installed app on control device
				ES/WWS	EasySense Wall Switch
				SR	Sensor Ready Driver
				DR	DALI-Ready Driver
				BLD*	Bi-Level Dim (controlled via 2 hot leads)
				VDO†	Lutron VIVE DFCSJ-OEM-OCC (Daylight & Occupancy)
				VRF†	Lutron VIVE DFCSJ-OEM-RF (RF only)
				DIMxx	Factory set custom Dim Level (1% Dimming Driver)
				FI/ILBCP05**	Factory Installed 5W LED Battery Backup
				FI/ILBCP07**	Factory Installed 7W LED Battery Backup
				FI/ILBCP10**	Factory Installed 10W LED Battery Backup
				FI/ILBCP12**	Factory Installed 12W LED Battery Backup
				SD480*	480V Step Down Transformer
				SD347*	347V Step Down Transformer

† Must be used with SR Sensor Ready Driver  
\* Does not qualify for DLC. Call factory for details.  
\*\* Battery backup options see field installed LEDBB sheet.

# 2x4 FLAT LENS TROFFER RETROFIT KIT

## TROFFER RETROFIT

### LINE DRAWING



### PHOTOMETRIC REPORTS

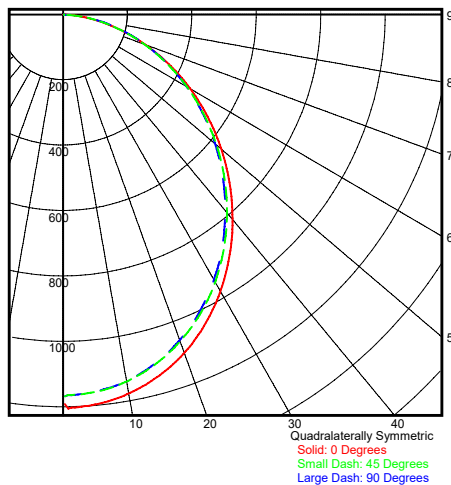
Photometric values based upon tests performed in compliance w/ LM-79. Download IES files at [www.ilp-inc.com](http://www.ilp-inc.com)

#### FLTR24-26WLED-UNIV-40

##### SUMMARY DATA

HEMISPHERES TESTED:	BOTH
EFFICIENCY (Downlight):	100.0 %
EFFICIENCY (Uplight):	0.0 %
CIE CLASSIFICATION:	DIRECT
SPACING CRITERION (0-Deg.):	1.24
SPACING CRITERION (90-Deg.):	1.19
LUMENS:	3076.24
INPUT WATTS:	25.81

##### CANDELA PLOT

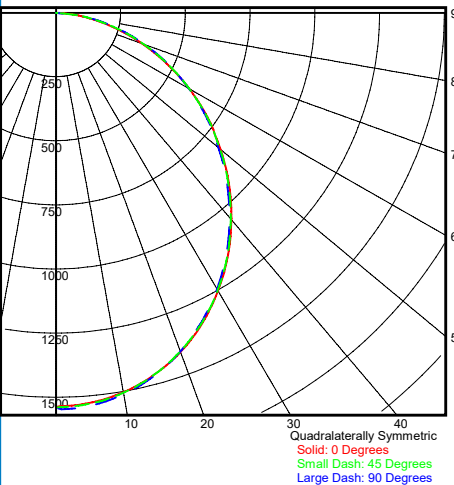


#### FLTR24-35WLED-UNIV-40

##### SUMMARY DATA

HEMISPHERES TESTED:	BOTH
EFFICIENCY (Downlight):	100.0 %
EFFICIENCY (Uplight):	0.0 %
CIE CLASSIFICATION:	DIRECT
SPACING CRITERION (0-Deg.):	1.21
SPACING CRITERION (90-Deg.):	1.21
LUMENS:	4067.81
INPUT WATTS:	35.47

##### CANDELA PLOT



#### FLTR24-45WLED-UNIV-40

##### SUMMARY DATA

HEMISPHERES TESTED:	BOTH
EFFICIENCY (Downlight):	100.0 %
EFFICIENCY (Uplight):	0.0 %
CIE CLASSIFICATION:	DIRECT
SPACING CRITERION (0-Deg.):	1.24
SPACING CRITERION (90-Deg.):	1.19
LUMENS:	4970.47
INPUT WATTS:	45.05

##### CANDELA PLOT

