

Project Name:	Part Number:	Type:
---------------	--------------	-------

VOLA TROFFER - 90CRI

AMERICAN MADE VOLUMETRIC TROFFER

90CRI



407-478-3759
www.ilp-inc.com

FEATURES

- Architectural design
- .040 Aluminum pre-painted housing
- Post paint available
- Frosted acrylic lens easily removes for cleaning
- 3500K & 4000K available
- 0-10V Dimmable Driver (100% - 1%)
- Type IC (suitable for insulation contact)
- Universal voltage
- ETL Listed
- 5 year warranty
- DesignLights Consortium® Qualified Luminaire



SUITABLE APPLICATIONS

- Offices
- Hallways
- Multipurpose Rooms
- Conference Rooms

LED SYSTEMS INFO		16W	22W	30W	35W		30W	35W	42W
Calculated L ₇₀ (TM-21)	2' X 2'	>100K	>100K	>100K	>100K	2' X 4'	>100K	>100K	>100K
Delivered Lumens		1,894 lm	2,472 lm	3,261 lm	3,780 lm		3,416 lm	3,981 lm	4,633 lm
Total Input Watts		17 W	22 W	30 W	35 W		30 W	35 W	42 W
Luminaire Efficacy Rating (LER)		110 lm/W	111 lm/W	109 lm/W	108 lm/W		115 lm/W	113 lm/W	110 lm/W
Correlated Color Temperature (CCT)		4000K	4000K	4000K	4000K		4000K	4000K	4000K
Color Rendering Index (CRI)		>90	>90	>90	>90		>90	>90	>90
Ambient Temperature Range		110°F	110°F	110°F	110°F		110°F	110°F	110°F
Universal Driver		120-277 V	120-277 V	120-277 V	120-277 V		120-277 V	120-277 V	120-277 V

LED System data above based on VOL22-16WLED-UNIV-40-90CRI, VOL22-22WLED-UNIV-40-90CRI, VOL22-30WLED-UNIV-40-90CRI & VOL22-35WLED-UNIV-40-90CRI.
LED System data above based on VOLA24-30WLED-UNIV-40-90CRI, VOLA24-35WLED-UNIV-40-90CRI & VOLA24-42WLED-UNIV-40-90CRI
Lumen maintenance estimates based on TM-21 projections for the light source at 25°C ambient.

ORDERING GUIDE:

Series	Watts	Driver	Color	Options
VOLA22 VOLA Troffer 2'x2'	16WLED	UNIV 120-277V Driver	40	<input checked="" type="checkbox"/> 90CRI POSTP WHIP/6ft/5WIRE/600V WHIP/6ft/6WIRE/600V ES ES/PCD ES/WWS BLD* DIMxx FLGK SM HC FI/ILBCP05* FI/ILBCP07* FI/ILBCP10* FI/ILBCP12* SD480** SD347**
	22WLED		35	
	30WLED			
	35WLED			
VOLA24 VOLA Troffer 2'x4'	30WLED	UNIV 120-277V Driver		90 Color Rendering Index Post Paint Aluminum 6ft MC Cable w/ 3 leads attached to power & 2 leads attached to dimming (120V-277V) 6ft MC Cable w/ 3 leads for fixture power, 1 lead for battery backup power & 2 leads attached to dimming (120V-277V) EasySense Control Pre-Installed App on Controlled Device for Commissioning EasySense Wall Switch Bi-Level Dim Driver (2 Hot Leads) Factory Set Custom Dim Level (xx = max watts) Flange Kit Surface Mount Hurricane Clips Factory Installed 5W LED Battery Backup Factory Installed 7W LED Battery Backup Factory Installed 10W LED Battery Backup Factory Installed 12W LED Battery Backup 480V Step Down Transformer 347V Step Down Transformer
	35WLED			
	42WLED			

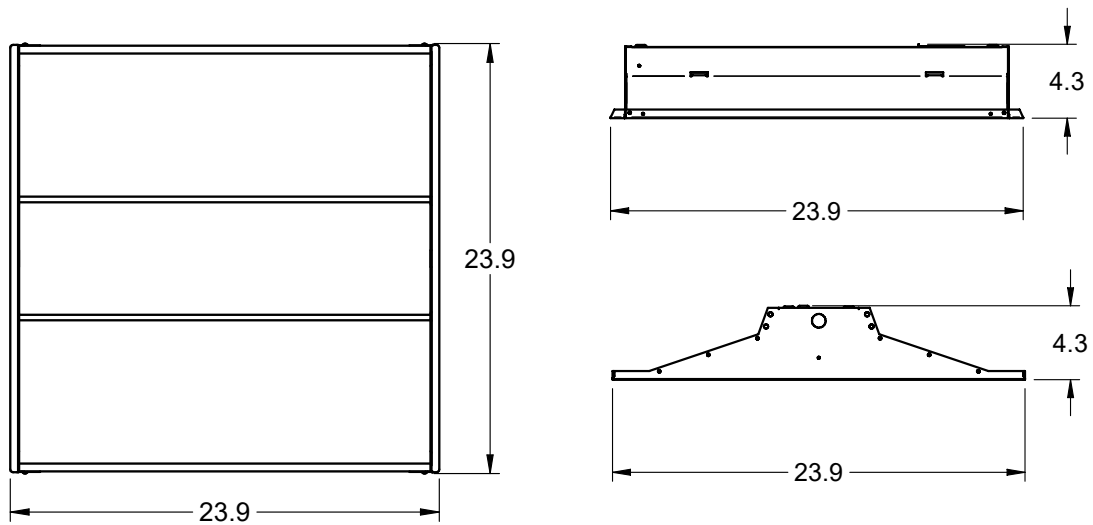
* BB performance data available on Field Installed LED BB Sheet

VOLA TROFFER 2' X 2' - 90CRI

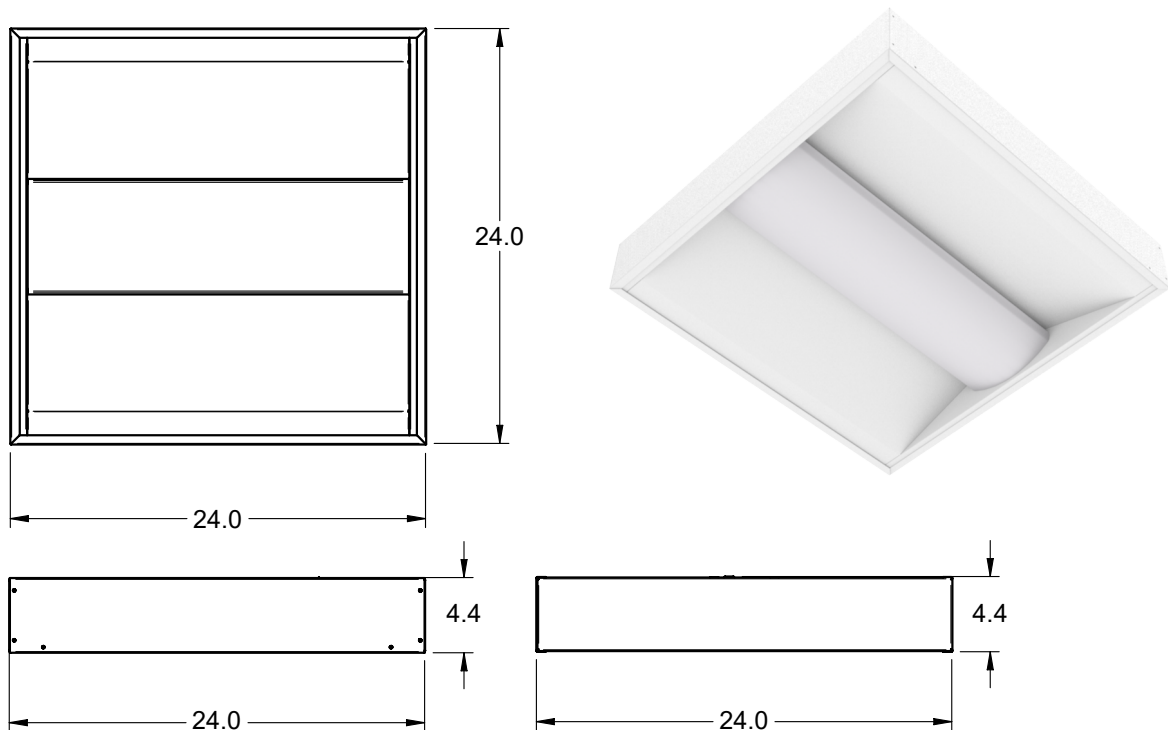
AMERICAN MADE VOLUMETRIC TROFFER

LINE DRAWINGS

Dimensions Without Surface Mount



Dimensions With Surface Mount

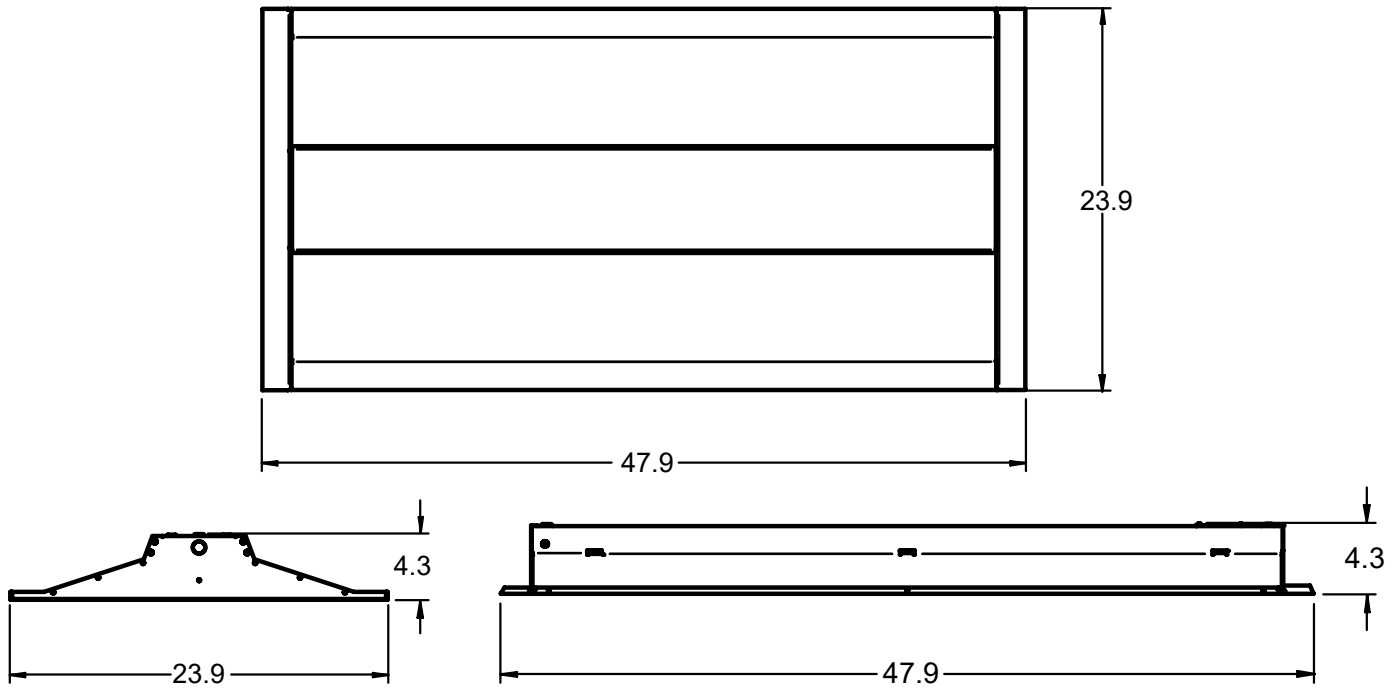


VOLA TROFFER 2' X 4' - 90CRI

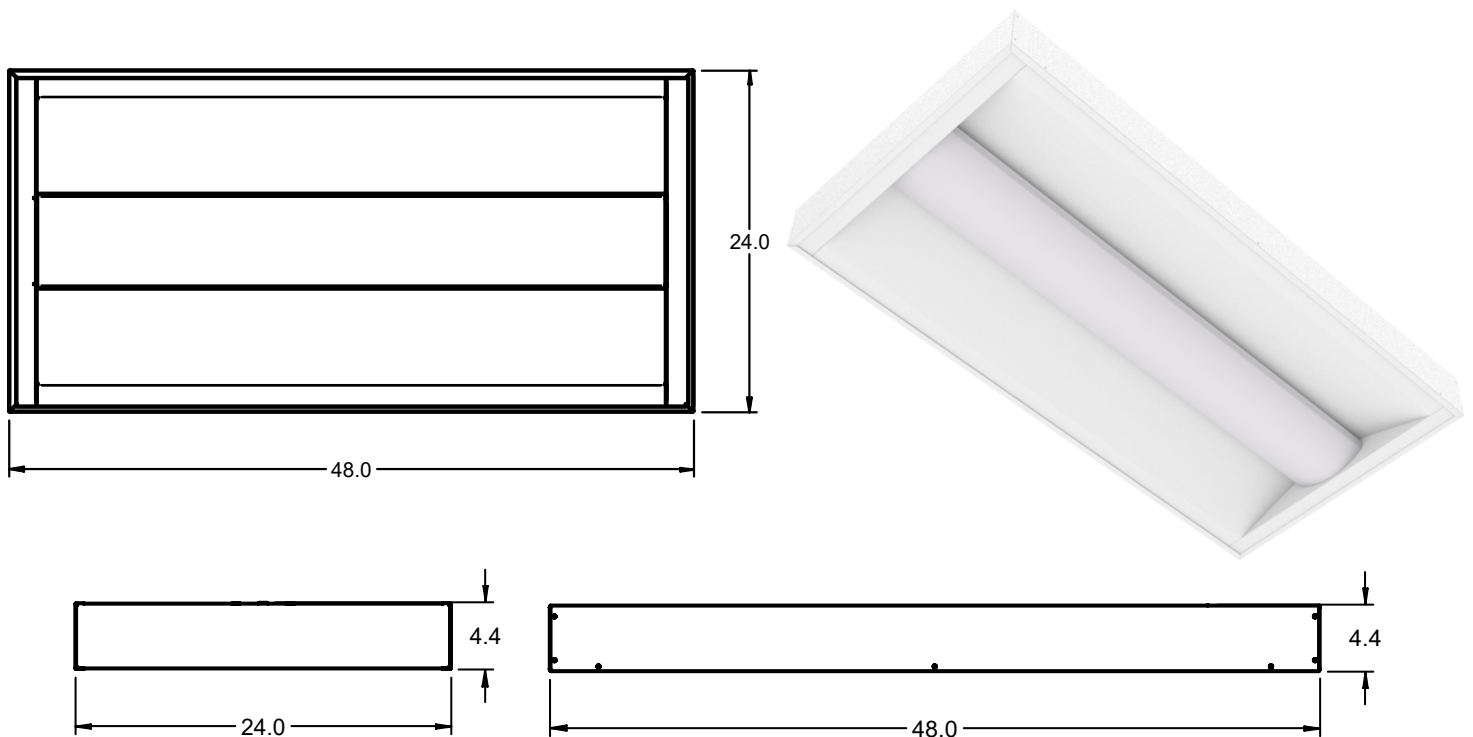
AMERICAN MADE VOLUMETRIC TROFFER

LINE DRAWINGS

Dimensions Without Surface Mount



Dimensions With Surface Mount



VOLA TROFFER - 90CRI

AMERICAN MADE VOLUMETRIC TROFFER

PHOTOMETRIC REPORTS

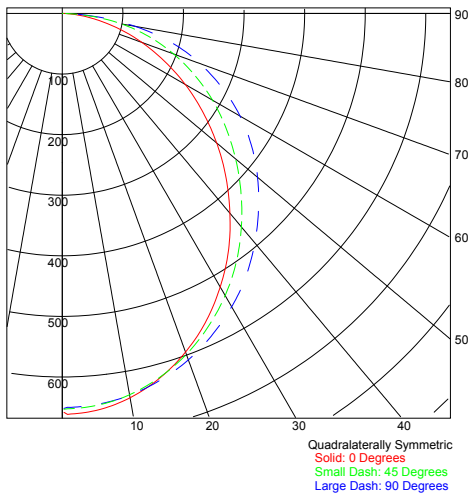
Photometric values based upon tests performed in compliance w/ LM-79. Download IES files at www.ilp-inc.com

VOLA22-16WLED-UNIV-40-90CRI

SUMMARY DATA

HEMISPHERES TESTED:	BOTH
EFFICIENCY (Downlight/Uplight):	100.0 % / 0.0 %
CIE CLASSIFICATION:	DIRECT
SPACING CRITERION (0-Deg):	1.19
SPACING CRITERION (90-Deg):	1.27
LUMENS:	1867.7
INPUT WATTS:	17.4

CANDELA PLOT

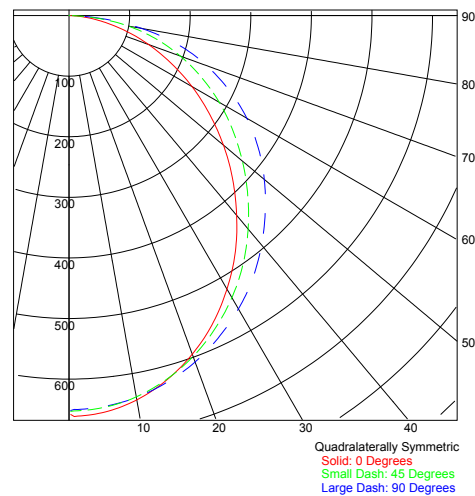


VOLA22-22WLED-UNIV-40-90CRI

SUMMARY DATA

HEMISPHERES TESTED:	BOTH
EFFICIENCY (Downlight/Uplight):	100.0 % / 0.0 %
CIE CLASSIFICATION:	DIRECT
SPACING CRITERION (0-Deg):	1.19
SPACING CRITERION (90-Deg):	1.28
LUMENS:	2397.1
INPUT WATTS:	22.31

CANDELA PLOT

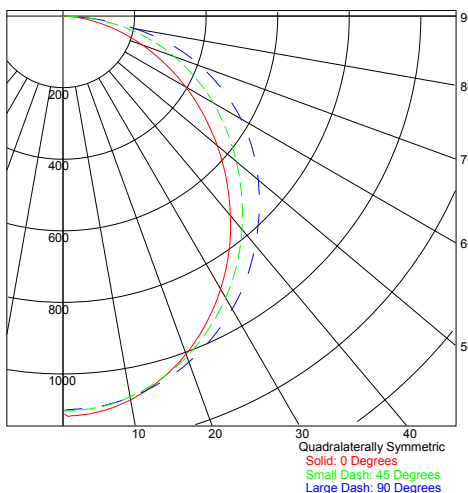


VOLA22-30WLED-UNIV-40-90CRI

SUMMARY DATA

HEMISPHERES TESTED:	BOTH
EFFICIENCY (Downlight/Uplight):	100.0 % / 0.0 %
CIE CLASSIFICATION:	DIRECT
SPACING CRITERION (0-Deg):	1.19
SPACING CRITERION (90-Deg):	1.27
LUMENS:	3162.2
INPUT WATTS:	29.86

CANDELA PLOT

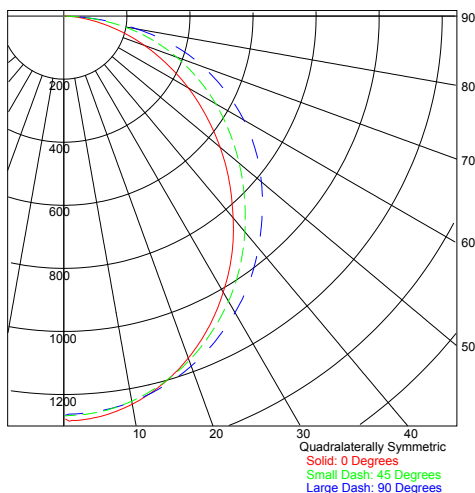


VOLA22-35WLED-UNIV-40-90CRI

SUMMARY DATA

HEMISPHERES TESTED:	BOTH
EFFICIENCY (Downlight/Uplight):	100.0 % / 0.0 %
CIE CLASSIFICATION:	DIRECT
SPACING CRITERION (0-Deg):	1.19
SPACING CRITERION (90-Deg):	1.27
LUMENS:	3629.5
INPUT WATTS:	34.78

CANDELA PLOT



VOLA TROFFER - 90CRI

AMERICAN MADE VOLUMETRIC TROFFER

PHOTOMETRIC REPORTS

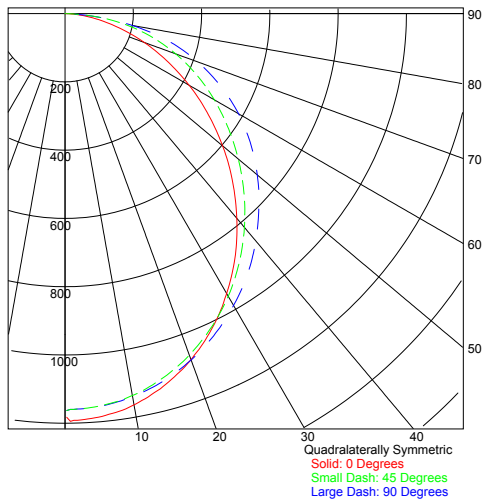
Photometric values based upon tests performed in compliance w/ LM-79. Download IES files at www.ilp-inc.com

VOLA24-30WLED-UNIV-40-90CRI

SUMMARY DATA

HEMISPHERES TESTED:	BOTH
EFFICIENCY (Downlight/Uplight):	100.0 % / 0.0 %
CIE CLASSIFICATION:	DIRECT
SPACING CRITERION (0-Deg):	1.21
SPACING CRITERION (90-Deg):	1.26
LUMENS:	3309.68
INPUT WATTS:	30.25

CANDELA PLOT

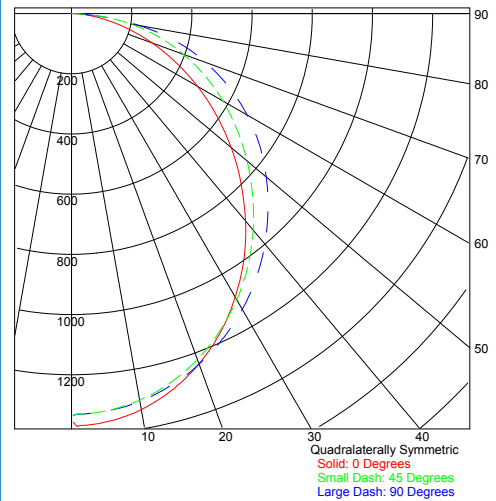


VOLA24-35WLED-UNIV-40-90CRI

SUMMARY DATA

HEMISPHERES TESTED:	BOTH
EFFICIENCY (Downlight/Uplight):	100.0 % / 0.0 %
CIE CLASSIFICATION:	DIRECT
SPACING CRITERION (0-Deg):	1.21
SPACING CRITERION (90-Deg):	1.26
LUMENS:	3802.04
INPUT WATTS:	35.25

CANDELA PLOT



VOLA24-42WLED-UNIV-40-90CRI

SUMMARY DATA

HEMISPHERES TESTED:	BOTH
EFFICIENCY (Downlight/Uplight):	100.0 % / 0.0 %
CIE CLASSIFICATION:	DIRECT
SPACING CRITERION (0-Deg):	1.21
SPACING CRITERION (90-Deg):	1.26
LUMENS:	4427.84
INPUT WATTS:	42.14

CANDELA PLOT

