

Project Name:	Part Number:	Type:
---------------	--------------	-------

VOLA TROFFER 2'X2'

RECESSED TROFFER



407-478-3759
www.ilp-inc.com

FEATURES

- Architectural design
- .040 Aluminum pre-painted housing
- Post paint available
- Frosted acrylic lens easily removes for cleaning
- 3000K, 3500K and 4000K CCT
- 0-10V Dimmable Driver (100% - 10%)
- Type IC (suitable for insulation contact)
- 120-277V Universal Voltage
- ETL Listed
- 5 Year Warranty
- DesignLights Consortium® Premium Qualified Luminaire



With Surface Mount



SUITABLE APPLICATIONS

- Offices
- Hallways
- Multipurpose Rooms
- Conference Rooms

LED SYSTEMS INFO	18W	22W	26W	30W	35W	52W
Calculated L ₇₀ (TM-21)	>100K	>100K	>100K	>100K	>100K	>100K
Delivered Lumens	2,321 lm	2,810 lm	3,385 lm	3,854 lm	4,414 lm	6,492 lm
Total Input Watts	19 W	23 W	27 W	31 W	36 W	52 W
Luminaire Efficacy Rating (LER)	124 lm/W	125 lm/W	127 lm/W	126 lm/W	123 lm/W	123 lm/W
Correlated Color Temperature (CCT)	4000K	4000K	4000K	4000K	4000K	4000K
Color Rendering Index (CRI)	>80	>80	>80	>80	>80	>80
Ambient Temperature Range	110°F	110°F	110°F	110°F	110°F	110°F
Universal Driver	120-277 V	120-277 V	120-277 V	120-277 V	120-277 V	120-277 V

LED System data above based on VOLA22-18WLED-UNIV-40, VOLA22-22WLED-UNIV-40, VOLA22-26WLED-UNIV-40, VOLA22-30WLED-UNIV-40, VOLA22-35WLED-UNIV-40 & VOLA22-52WLED-UNIV-40. LED Lumen maintenance estimates based on TM-21 projections for the light source at 25°C ambient.

ORDERING GUIDE:

Series	Watts	Driver	Color	Options
VOLA22 VOLA Troffer 2'x2'	18WLED	UNIV 120-277V Driver	40	POSTP Post Paint Aluminum
	22WLED		35	WHIP/6ft/5WIRE/600V 6ft MC Cable w/ 3 leads attached to power & 2 leads attached to dimming (120V-277V)
	26WLED		30	WHIP/6ft/6WIRE/600V 6ft MC Cable w/ 3 leads for fixture power, 1 lead for battery backup power & 2 leads attached to dimming (120V-277V)
	30WLED		ES EasySense Control	
	35WLED		ES/PCD Pre-Installed App on Controlled Device for Commissioning	
	52WLED		ES/WWS EasySense Wall Switch	
			SR Sensor Ready Driver	
			DR DALI-Ready Driver	
			VDO† Lutron Vive DFCSJ-OEM-OCC (Daylight & Occupancy)	
			VRF† Lutron Vive DFCSJ-OEM-RF (RF only)	
			BLD** Bi-Level Dim Driver (2 Hot Leads)	
			FLGK Flange Kit	
	SM Surface Mount			
	HC Hurricane Clips			
	FI/ILBCP05* Factory Installed 5W LED Battery Backup			
	FI/ILBCP07* Factory Installed 7W LED Battery Backup			
	FI/ILBCP10* Factory Installed 10W LED Battery Backup			
	FI/ILBCP12* Factory Installed 12W LED Battery Backup			
	SD347** 347V Step Down Transformer			
	SD480** 480V Step Down Transformer			

DLC Standard:
VOLA22-18WLED-UNIV-30, VOLA22-18WLED-UNIV-35, VOLA22-18WLED-UNIV-40,
VOLA22-22WLED-UNIV-30, VOLA22-22WLED-UNIV-35, VOLA22-22WLED-UNIV-40,
VOLA22-26WLED-UNIV-30, VOLA22-26WLED-UNIV-35, VOLA22-26WLED-UNIV-40,
VOLA22-30WLED-UNIV-30, VOLA22-30WLED-UNIV-35, VOLA22-30WLED-UNIV-40,
VOLA22-35WLED-UNIV-30, VOLA22-35WLED-UNIV-35, VOLA22-35WLED-UNIV-40,
VOLA22-52WLED-UNIV-30, VOLA22-52WLED-UNIV-35, VOLA22-52WLED-UNIV-40

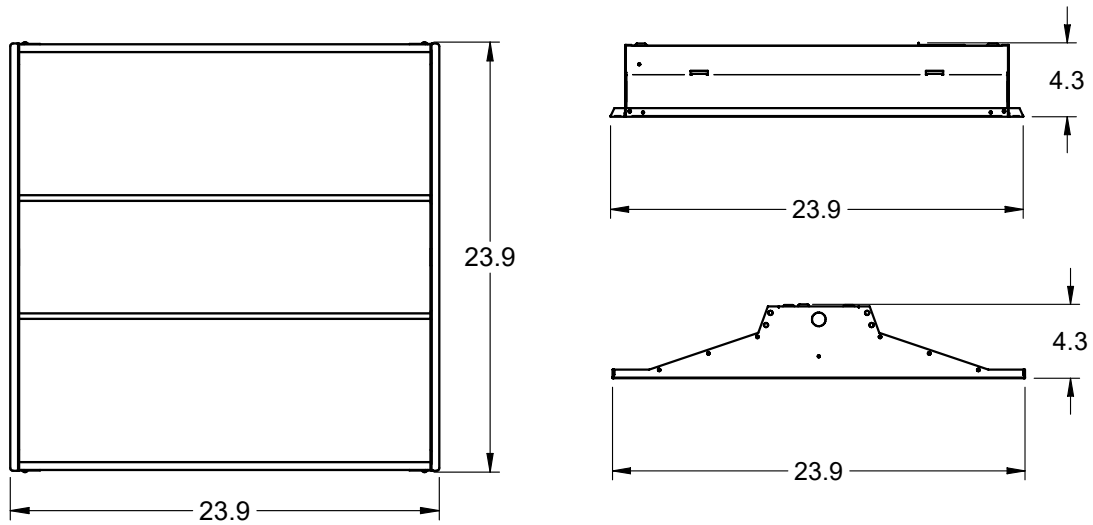
† Must be used with SR Sensor Ready Driver
* BB performance data available on Field Installed LED BB Sheet
** Does not qualify for DLC. Call factory for details.

VOLA TROFFER 2'X2'

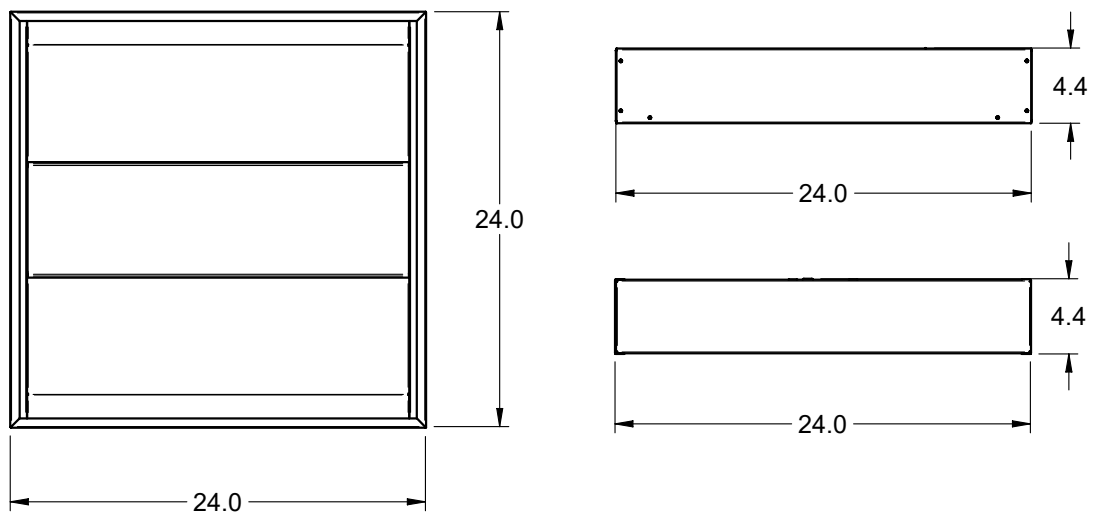
RECESSED TROFFER

LINE DRAWINGS

Dimensions Without Surface Mount



Dimensions With Surface Mount

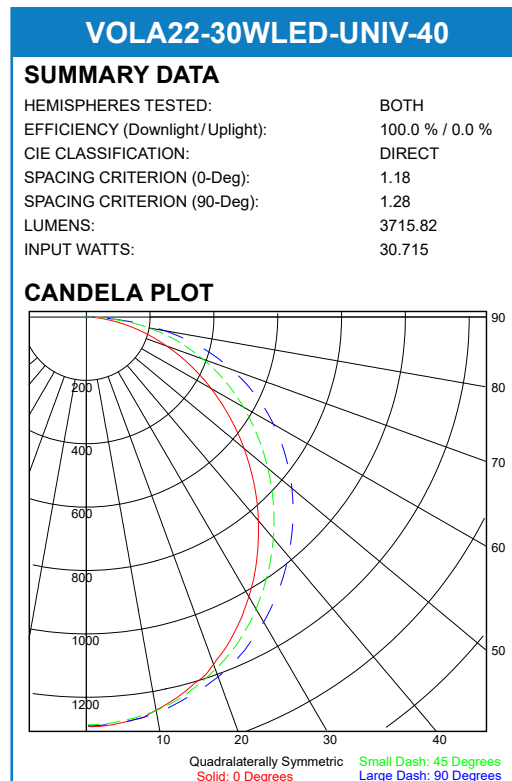
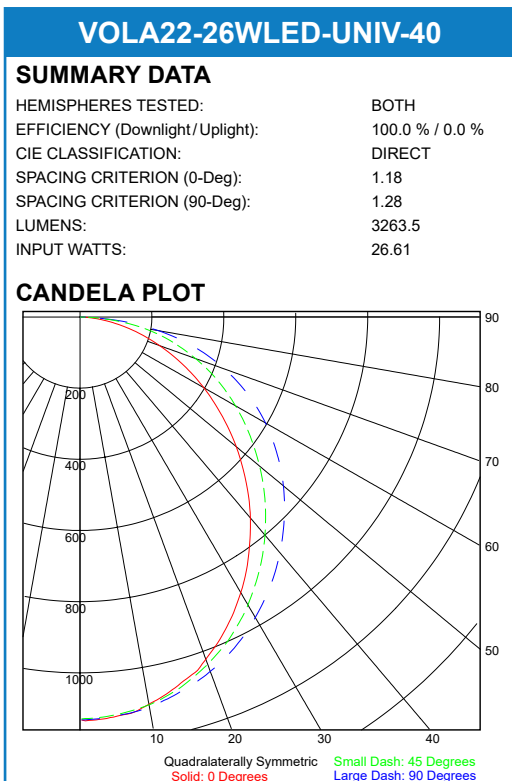
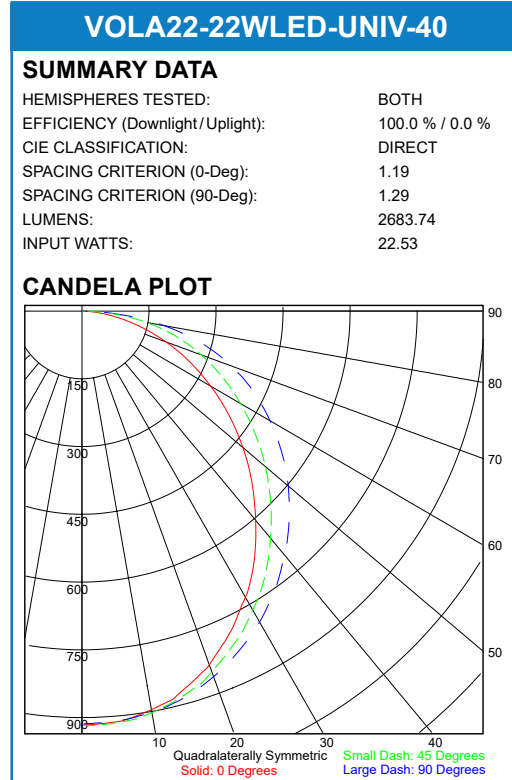
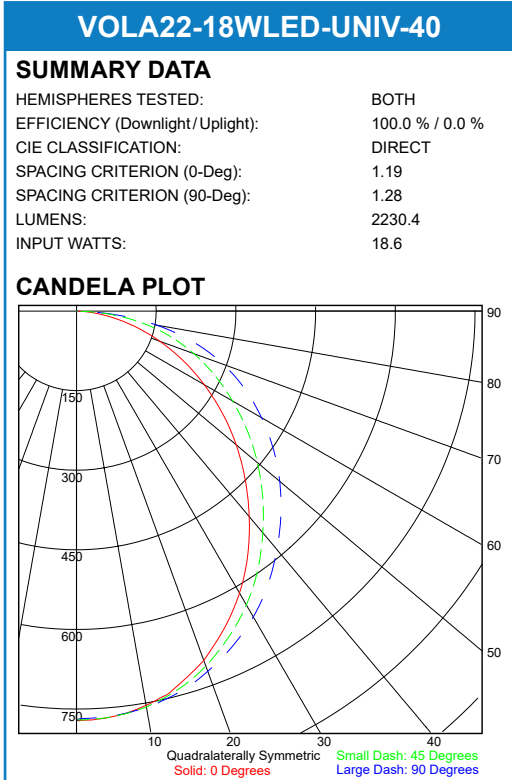


VOLA TROFFER 2'X2'

RECESSED TROFFER

PHOTOMETRIC REPORTS

Photometric values based upon tests performed in compliance w/ LM-79. Download IES files at www.ilp-inc.com



VOLA TROFFER 2' X 2'

RECESSED TROFFER

PHOTOMETRIC REPORTS

Photometric values based upon tests performed in compliance w/ LM-79. Download IES files at www.ilp-inc.com

