

Project Name:	Part Number:	Type:
---------------	--------------	-------

# LARGE SLIM PROFILE WALL PACK

## OUTDOOR



407-478-3759  
www.ilp-inc.com

### FEATURES

- Bronze die-cast aluminum housing with hinged front frame
- Custom and factory select colors available (Contact factory for pricing)
- 1/2" coin plug with o-rings for conduit or optional photocell
- Tempered glass lens
- Type III (WPLP-50W), Type II (WPLP-80W)
- Cast-in template for wall or junction box mounting (std)
- 4000K and 5000K CCT
- 120-277V Universal Voltage
- 5 Year Warranty
- ETL Listed for Wet Location
- DesignLights Consortium® Qualified Luminaire



complies with  
**RoHS**



### SUITABLE APPLICATIONS

- Parking Lots
- Buildings
- General Area Lighting
- Wall Wash
- Walkways

LED SYSTEMS INFORMATION		50W	80W		50W	80W
Calculated L <sub>70</sub> (TM-21)	<b>4000K</b>	>100K	>100K	<b>5000K</b>	>100K	>100K
Delivered Lumens		4,976 lm	8,142 lm		4,995 lm	7,946 lm
Total Input Watts		51 W	77 W		53 W	78 W
Luminaire Efficacy Rating (LER)		98 lm/W	106 lm/W		94 lm/W	102 lm/W
Correlated Color Temperature (CCT)		4000K	4000K		5000K	5000K
Color Rendering Index (CRI)		>80	>80		>70	>70
Maximum Ambient Temperature		105°F	115°F		105°F	115°F
Universal Driver		120-277 V	120-277 V		120-277 V	120-277 V

LED System data above based on WPLP-50WLED-UNIV-4000K, WPLP-80WLED-UNIV-4000K, WPLP-50WLED-UNIV-5000K & WPLP-80WLED-UNIV-5000K  
LED Lumen Maintenance Estimates based on TM-21 projections for the light source at 25°C ambient.

### ORDERING GUIDE:

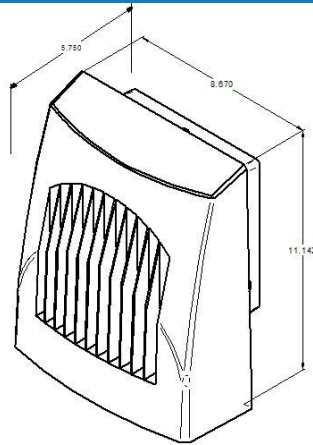
Series	Watts	Driver	Color	Options
<b>WPLP</b> Large Slim Wall Pack	<b>50WLED</b> <b>80WLED</b>	<b>UNIV</b> 120-277 Driver	<b>5000K</b> <b>4000K</b>	<b>PCxxx</b> <sup>1</sup> Photocell (xxx= voltage) <b>PCU</b> <sup>1</sup> Photocell Universal Voltage (120-277V) <b>CORDx</b> Cord (x = ft) <b>PMK</b> Pole Mount Kit

<sup>1</sup> Does not qualify for DLC

# LARGE SLIM PROFILE WALL PACK

OUTDOOR

## LINE DRAWING



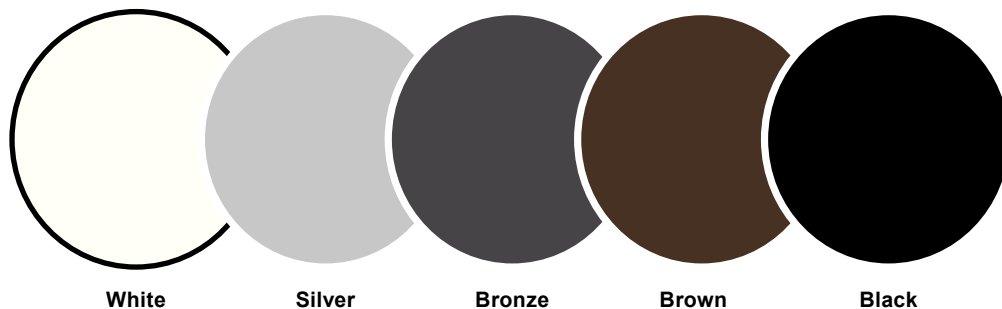
## MOUNTING OPTIONS

- **PMK** - Pole Mounting Adapter (W = 4in, H = 2in, L = 6in.)
- Cast-in Template for Wall or Junction Box mounting (std)



**PMK**  
Pole Mounting Adapter

## FACTORY SELECT COLOR GUIDE



White

Silver

Bronze

Brown

Black

COLOR NAME AND DESCRIPTION	SHEEN	PRODUCT	VENDOR	PRICING
WHT - ILP White	SEMI GLOSS	POLANE T	SHERWIN-WILLIAMS	Contact Factory for Pricing
SLV - ILP Silver - Ultrasonic Chrome	GLOSS	POLANE T	SHERWIN-WILLIAMS	Contact Factory for Pricing
BRZ - ILP Bronze - std. & in stock	SEMI GLOSS	POLANE T	SHERWIN-WILLIAMS	Standard
BRN - ILP Brown	SEMI GLOSS	POLANE T	SHERWIN-WILLIAMS	Contact Factory for Pricing
BLK - ILP Black	SEMI GLOSS	POLANE T	SHERWIN-WILLIAMS	Contact Factory for Pricing

**COLORS SHOWN ABOVE ARE TO BE USED AS REFERENCE, NOT EXACT MATCH.  
PLEASE REQUEST PAINT CHIPS FOR EXACT MATCH.**

# LARGE SLIM PROFILE WALL PACK

OUTDOOR

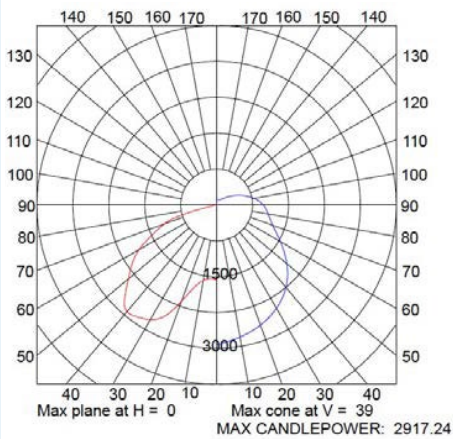
## PHOTOMETRIC REPORTS

### WPLP-50WLED-UNIV-40

#### SUMMARY DATA

HEMISPHERES TESTED: BOTH  
EFFICIENCY (Downlight/Uplight): 99.6 % / 0.2 %  
EFFICIENCY (Street/House): 81.5 % / 18.3 %  
ROADWAY CLASSIFICATION: TYPE III, VERY SHORT  
CUTOFF CLASSIFICATION: CUTOFF  
LUMENS: 4183  
INPUT WATTS: 49.6

#### CANDELA PLOT



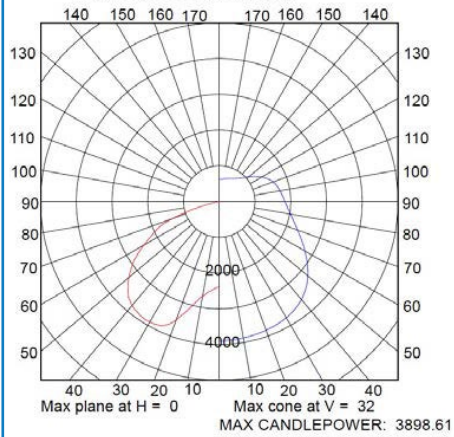
Photometric values based upon tests performed in compliance w/ LM-79.  
Download IES files at [www.ilp-inc.com](http://www.ilp-inc.com)

### WPLP-80WLED-UNIV-40

#### SUMMARY DATA

HEMISPHERES TESTED: LOWER  
EFFICIENCY (Downlight/Uplight): 99.7 % / 0.2 %  
EFFICIENCY (Street/House): 78.3 % / 21.7 %  
ROADWAY CLASSIFICATION: TYPE III, VERY SHORT  
CUTOFF CLASSIFICATION: CUTOFF  
LUMENS: 6918.7  
INPUT WATTS: 79.4

#### CANDELA PLOT



Photometric values based upon tests performed in compliance w/ LM-79.  
Download IES files at [www.ilp-inc.com](http://www.ilp-inc.com)