

LARGE OPEN FACE WALL PACK - 135W LED



407-478-3759
www.ilp-inc.com

OUTDOOR

FEATURES

- Bronze die-cast aluminum housing
- Custom and factory select colors available (Contact factory for pricing)
- Silicon lens gasket and rubber housing gasket provide secure watertight seal
- Impact resistant frosted low glare prismatic polycarbonate lens with UV stabilizers
- 1/2" coin plugs with o-rings for conduit or optional photocell
- Occupancy & Bi-level Dim control options available
- Built in base bubble level for easy installation
- Non-Cutoff Type IV
- Lumileds LEDs
- Dual Drivers
- Motion and daylight harvesting available
- 0-10V Dimmable Driver (100%-10%)
- IP65 Rated
- 120-277V Universal Voltage
- 5 Year Warranty
- ETL Wet Location Listed
- DesignLights Consortium® Qualified Luminaire



SUITABLE APPLICATIONS

- Schools
- Warehouses
- Shopping Centers
- General Area Lighting

REPLACES
400W MH

| LED SYSTEMS INFO | 4000K | 5000K |
|--|---------------|---------------|
| Calculated L ₇₀ (TM-21) | >75K | >75K |
| Delivered Lumens | 15,340 lm | 15,550 lm |
| Total Input Watts | 135 W | 135 W |
| Luminaire Efficacy Rating (LER) | 114 lm/W | 115 lm/W |
| Correlated Color Temperature (CCT) | 4000K | 5000K |
| Color Rendering Index (CRI) | >70 | >70 |
| Ambient Temperature Range | -40°F - 113°F | -40°F - 113°F |
| Universal Driver | 120-277 V | 120-277 V |
| LED System data above based on WPLO-135WLED-UNIV-40 & WPLO-135WLED-UNIV-50 LED Lumen Maintenance Estimates based on TM-21 projections for the light source at 25°C ambient. | | |



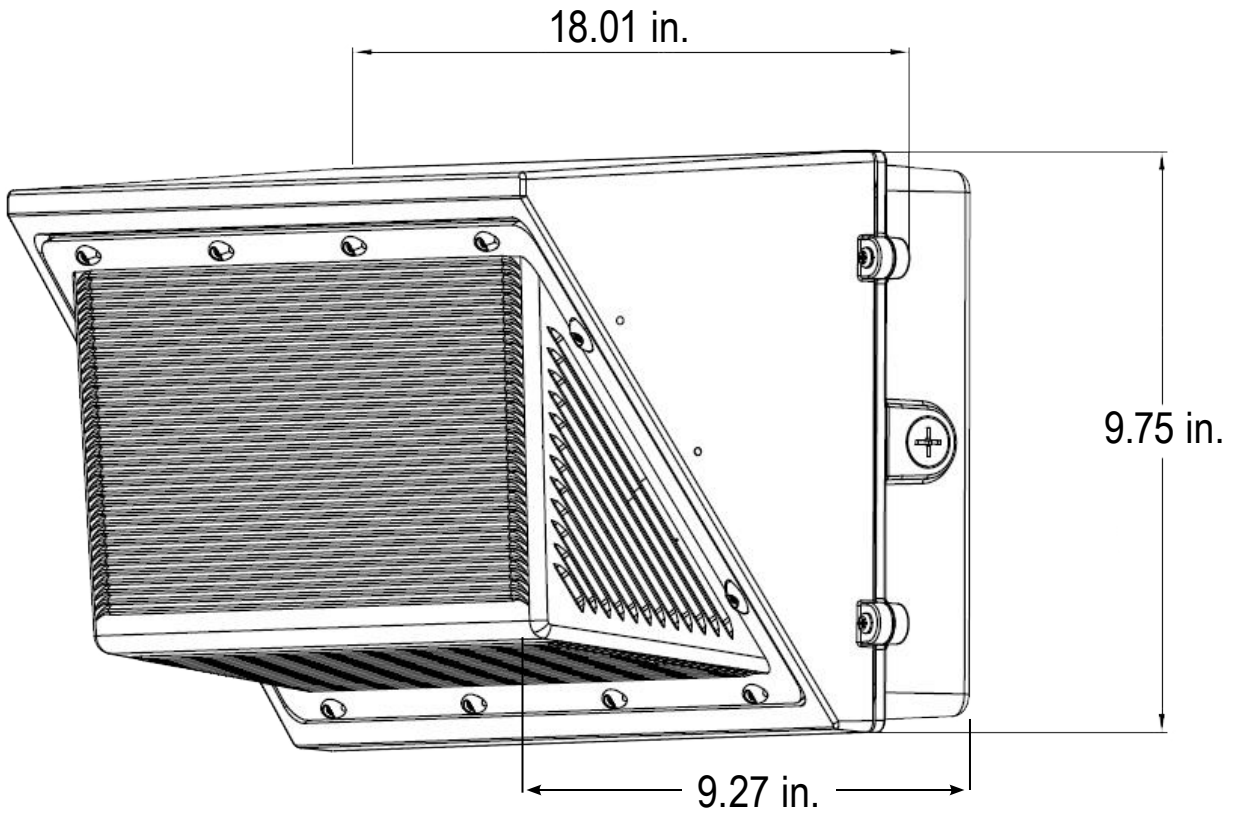
ORDERING GUIDE:

| Series | Watts | Driver | Color | Options |
|---------------------------------------|----------------|----------------------------|------------------------|--|
| WPLO Large Open Face Wall Pack | 135WLED | UNIV 120-277 Driver | 50 40 | WLOS On/Off Occupancy Sensor USBD User Select Bi-Level Dim Occ. Sensor BDxx Preset Bi-Level Dim Sensor (xx=% eg. 20,30) BDxxPC Preset Bi-Level Dim Sensor w/ Photocell (xx=% eg. 20,30) PCxxx Photocell (xxx= voltage) PCU Photocell Universal Voltage (120-277V) DIMxxx Factory Set Dim Level (xxx= set wattage level) FSIR/100 Remote Configuration Tool (WLOS, USBD, BDxx, BDxxPC) SP1[†] 10kA Max Univolt Surge Protector SP2[†] 22kA Max Univolt Surge Protector SP480V02 20kA Max 480V Surge Protector FUSE/SXXX Single-line Voltage Fuse (120, 277, 347) FUSE/DXXX Single-line Voltage Fuse (208, 240, 480) FI/ILBCP05 5W LED Factory Installed Battery Backup FI/ILBCP07 7W LED Factory Installed Battery Backup FI/ILBCP10 10W LED Factory Installed Battery Backup FI/ILBCP12 12W LED Factory Installed Battery Backup LEDBBCT -4°F - 80°F 10W Battery Backup SD480 480V Step Down Transformer SD347 347V Step Down Transformer |

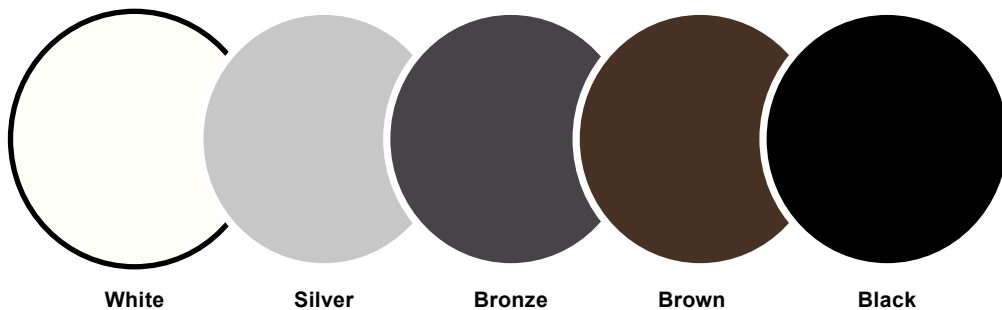
† SP1/SP2 specified in combination w/ battery backup/dual driver options, separate surge units are required per electrical line

LARGE OPEN FACE WALL PACK - 135W LED

LINE DRAWING



FACTORY SELECT COLOR GUIDE



| COLOR NAME AND DESCRIPTION | SHEEN | PRODUCT | VENDOR | PRICING |
|--------------------------------------|------------|----------|------------------|-----------------------------|
| WHT - ILP White | SEMI GLOSS | POLANE T | SHERWIN-WILLIAMS | Contact Factory for Pricing |
| SLV - ILP Silver - Ultrasonic Chrome | GLOSS | POLANE T | SHERWIN-WILLIAMS | Contact Factory for Pricing |
| BRZ - ILP Bronze - std. & in stock | SEMI GLOSS | POLANE T | SHERWIN-WILLIAMS | Standard |
| BRN - ILP Brown | SEMI GLOSS | POLANE T | SHERWIN-WILLIAMS | Contact Factory for Pricing |
| BLK - ILP Black | SEMI GLOSS | POLANE T | SHERWIN-WILLIAMS | Contact Factory for Pricing |

**COLORS SHOWN ABOVE ARE TO BE USED AS REFERENCE, NOT EXACT MATCH.
PLEASE REQUEST PAINT CHIPS FOR EXACT MATCH.**

LARGE OPEN FACE WALL PACK - 135W LED

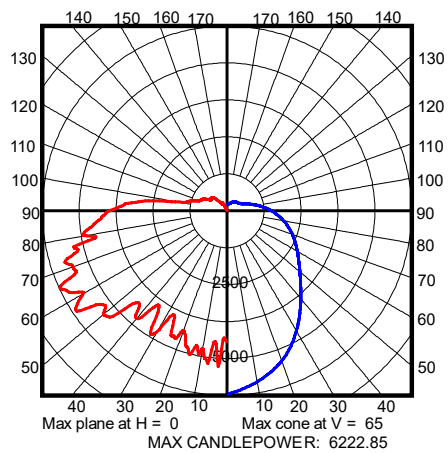
LINE DRAWING

WPLO-135WLED-UNIV-40

SUMMARY DATA

| | |
|---------------------------------|-----------------|
| HEMISPHERES TESTED: | BOTH |
| EFFICIENCY (Downlight/Uplight): | 86.7 % / 13.1 % |
| EFFICIENCY (Street/House): | 81.5 % / 18.3 % |
| ROADWAY CLASSIFICATION: | TYPE IV VS |
| CUTOFF CLASSIFICATION: | NON-CUTOFF |
| LUMENS: | 15693 |
| INPUT WATTS: | 130.81 |

CANDELA PLOT



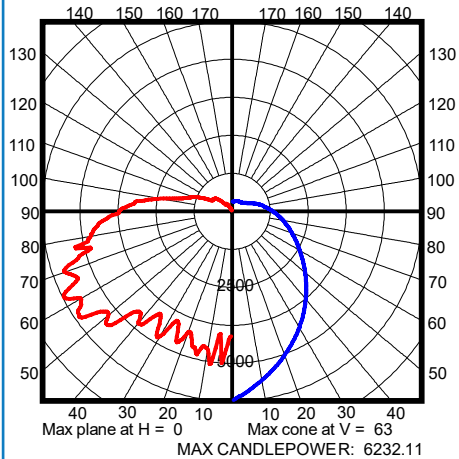
Photometric values based upon tests performed in compliance w/ LM-79.
Download IES files at www.ilp-inc.com

WPLO-135WLED-UNIV-50

SUMMARY DATA

| | |
|---------------------------------|-----------------|
| HEMISPHERES TESTED: | BOTH |
| EFFICIENCY (Downlight/Uplight): | 84.3 % / 15.0 % |
| EFFICIENCY (Street/House): | 80.9 % / 18.4 % |
| ROADWAY CLASSIFICATION: | TYPE IV VS |
| CUTOFF CLASSIFICATION: | NON-CUTOFF |
| LUMENS: | 15654.4 |
| INPUT WATTS: | 132.19 |

CANDELA PLOT



Photometric values based upon tests performed in compliance w/ LM-79.
Download IES files at www.ilp-inc.com