

LARGE OPEN FACE WALL PACK - 90W LED



407-478-3759
www.ilp-inc.com

OUTDOOR

FEATURES

- Bronze die-cast aluminum housing
- Custom and factory select colors available (Contact factory for pricing)
- Silicon lens gasket and rubber housing gasket provide secure watertight seal
- Impact resistant frosted low glare prismatic polycarbonate lens with UV stabilizers
- 1/2" coin plugs with o-rings for conduit or optional photocell
- Occupancy & Bi-level Dim control options available
- Built in base bubble level for easy installation
- Non-Cutoff Type IV
- Lumileds LEDs
- Motion and daylight harvesting available
- 0-10V Dimmable Driver (100%-10%)
- IP65 Rated
- 120-277V Universal Voltage
- 5 Year Warranty
- ETL Wet Location Listed
- DesignLights Consortium® Qualified Luminaire



SUITABLE APPLICATIONS

- Schools
- Warehouses
- Shopping Centers
- General Area Lighting

LED SYSTEMS INFO	4000K	5000K
Calculated L ₇₀ (TM-21)	>75K	>75K
Delivered Lumens	10,414 lm	9,950 lm
Total Input Watts	90 W	90 W
Luminaire Efficacy Rating (LER)	116 lm/W	111 lm/W
Correlated Color Temperature (CCT)	4000K	5000K
Color Rendering Index (CRI)	>70	>70
Ambient Temperature Range	-40°F - 113°F	-40°F - 113°F
Universal Driver	120-277 V	120-277 V
LED System data above based on WPLO-90WLED-UNIV-40 & WPLO-90WLED-UNIV-50 LED Lumen Maintenance Estimates based on TM-21 projections for the light source at 25°C ambient.		

REPLACES
320W MH



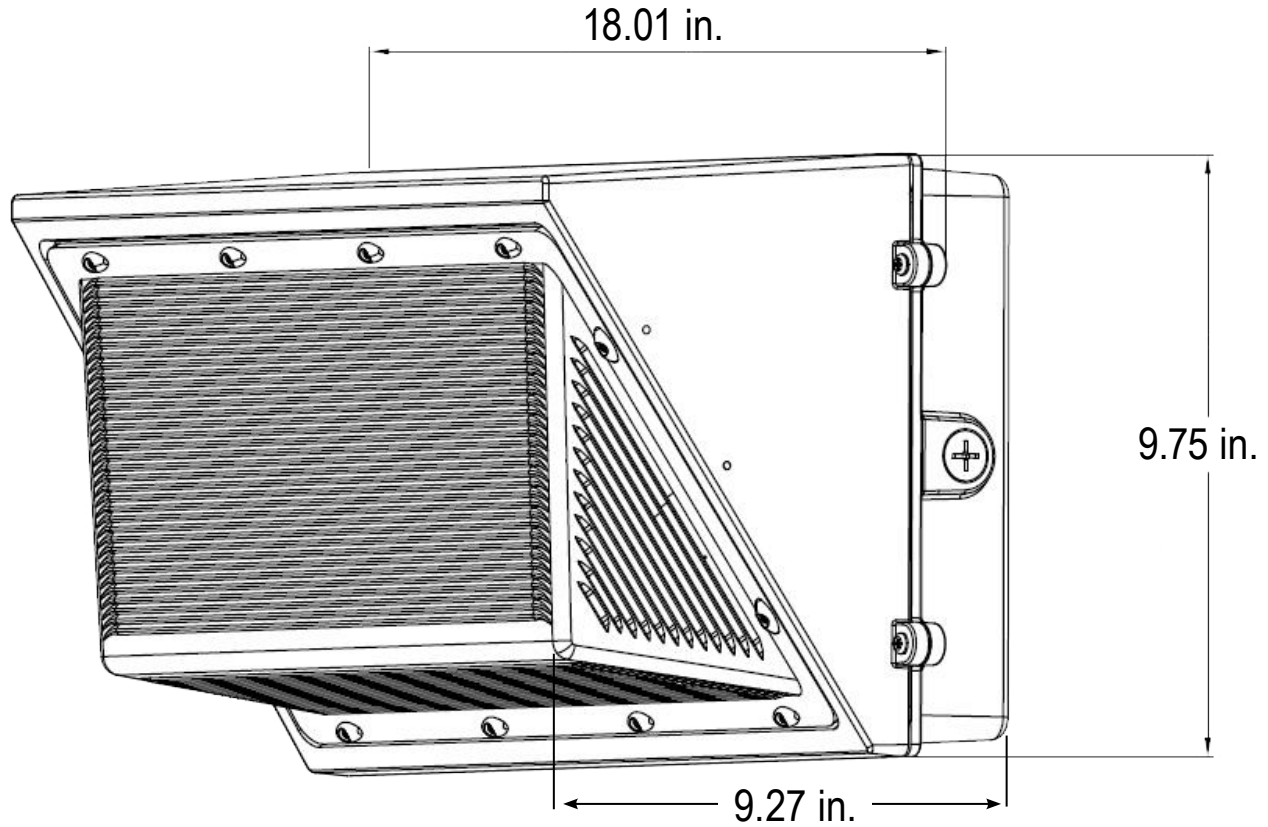
ORDERING GUIDE:

Series	Watts	Driver	Color	Options
WPLO Large Open Face Wall Pack	90WLED	UNIV 120-277 Driver	50 40	WLOS On/Off Occupancy Sensor USBD User Select Bi-Level Dim Occ. Sensor BDxx Preset Bi-Level Dim Sensor (xx=% eg. 20,30) BDxxPC Preset Bi-Level Dim Sensor w/ Photocell (xx=% eg. 20,30) FSIR/100 Remote Configuration Tool (WLOS, USBD, BDxx & BDxxPC) PCxxx Photocell (xxx= voltage) PCU Photocell Universal Voltage (120-277V) DIMxxx Factory Set Dim Level (xxx= set wattage level) SP1[†] 10kA Max Univolt Surge Protector SP2[†] 22kA Max Univolt Surge Protector SP480V02 20kA Max 480V Surge Protector FUSE/SXXX Single-line Voltage Fuse (120, 277, 347) FUSE/DXXX Single-line Voltage Fuse (208, 240, 480) FI/ILBCP05 5W LED Factory Installed Battery Backup FI/ILBCP07 7W LED Factory Installed Battery Backup FI/ILBCP10 10W LED Factory Installed Battery Backup FI/ILBCP12 12W LED Factory Installed Battery Backup LEDBBCT -4°F - 80°F 10W Battery Backup SD480 480V Step Down Transformer SD347 347V Step Down Transformer

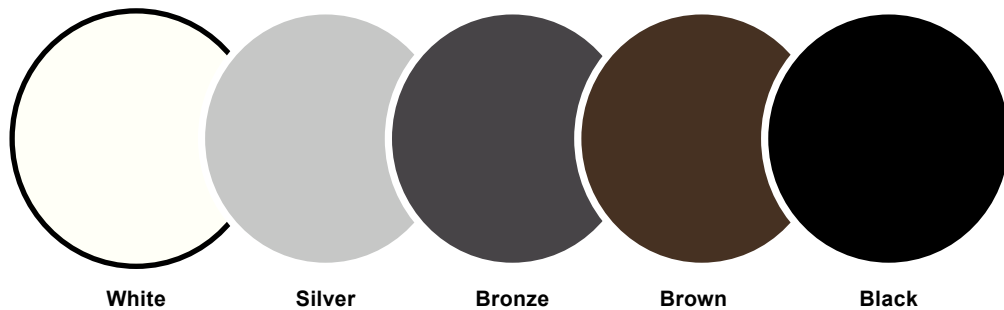
[†] SP1/SP2 specified in combination w/ battery backup/dual driver options, separate surge units are required per electrical line

LARGE OPEN FACE WALL PACK - 90W LED

LINE DRAWING



FACTORY SELECT COLOR GUIDE



COLOR NAME AND DESCRIPTION	SHEEN	PRODUCT	VENDOR	PRICING
WHT - ILP White	SEMI GLOSS	POLANE T	SHERWIN-WILLIAMS	Contact Factory for Pricing
SLV - ILP Silver - Ultrasonic Chrome	GLOSS	POLANE T	SHERWIN-WILLIAMS	Contact Factory for Pricing
BRZ - ILP Bronze - std. & in stock	SEMI GLOSS	POLANE T	SHERWIN-WILLIAMS	Standard
BRN - ILP Brown	SEMI GLOSS	POLANE T	SHERWIN-WILLIAMS	Contact Factory for Pricing
BLK - ILP Black	SEMI GLOSS	POLANE T	SHERWIN-WILLIAMS	Contact Factory for Pricing

**COLORS SHOWN ABOVE ARE TO BE USED AS REFERENCE, NOT EXACT MATCH.
PLEASE REQUEST PAINT CHIPS FOR EXACT MATCH.**

LARGE OPEN FACE WALL PACK - 90W LED

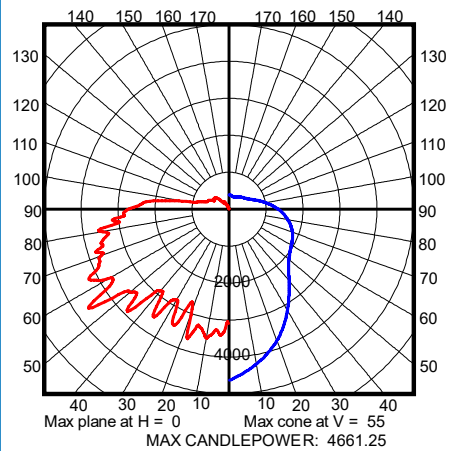
PHOTOMETRIC REPORTS

WPLO-90WLED-UNIV-40

SUMMARY DATA

HEMISPHERES TESTED:	BOTH
EFFICIENCY (Downlight/Uplight):	87.3 % / 12.5 %
EFFICIENCY (Street/House):	80.6 % / 19.2 %
ROADWAY CLASSIFICATION:	TYPE IV VS
CUTOFF CLASSIFICATION:	NON-CUTOFF
LUMENS:	10935
INPUT WATTS:	88.12

CANDELA PLOT



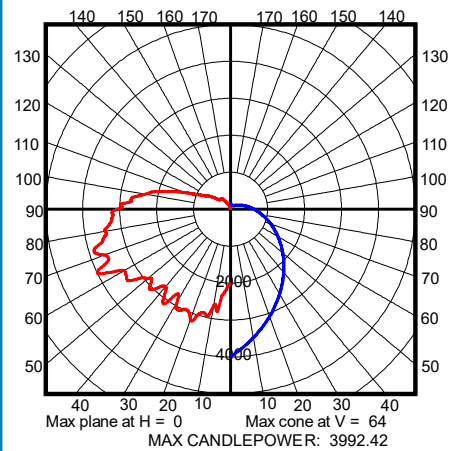
Photometric values based upon tests performed in compliance w/ LM-79.
Download IES files at www.ilp-inc.com

WPLO-90WLED-UNIV-50

SUMMARY DATA

HEMISPHERES TESTED:	BOTH
EFFICIENCY (Downlight/Uplight):	72.2 % / 17.3 %
EFFICIENCY (Street/House):	76.1 % / 13.5 %
ROADWAY CLASSIFICATION:	TYPE IV VS
CUTOFF CLASSIFICATION:	NON-CUTOFF
LUMENS:	10159.6
INPUT WATTS:	86.93

CANDELA PLOT



Photometric values based upon tests performed in compliance w/ LM-79.
Download IES files at www.ilp-inc.com