

Project Name:	Part Number:	Type:
---------------	--------------	-------

LARGE DUAL FLOOD - 155W LED

FLOODS 2.0



407-478-3759
www.ilp-inc.com

FEATURES

- Bronze die-cast aluminium housing
- Custom and factory select colors available (Contact factory for pricing)
- Diffused tempered glass lens
- Pole & tenon mounting options also available (3' cord & watertight bushing included)
- Watertight cord grip installed
- Standard yoke included
- 3000K, 4000K, & 5000K CCT
- 0-10V Dimmable Driver
- Rated for outdoor use
- IP65 Rating
- 5 Year Warranty
- ETL Listed for Wet Location
- DesignLights Consortium® Premium Qualified Luminaire



complies with
RoHS



SUITABLE APPLICATIONS

- Parking Lots
- Buildings
- General Area Lighting
- Loading Docks

REPLACES
400W MH

LED SYSTEMS INFO	4000K	5000K
Calculated L ₇₀ (TM-21)	>100K	>100K
Delivered Lumens	21,410 lm	21,940 lm
Total Input Watts	161 W	160 W
Luminaire Efficacy Rating (LER)	133 lm/W	137 lm/W
Correlated Color Temperature (CCT)	4000K	5000K
Color Rendering Index (CRI)	>80	>80
Ambient Temperature Range	-40°F - 120°F	-40°F -120°F
Universal Driver	120-277 V	120-277 V

LED System data above based on FDL-155WLED-UNIV-40 & FDL-155WLED-UNIV-50
LED Lumen Maintenance Estimates based on TM-21 projections for the light source at 25°C ambient.

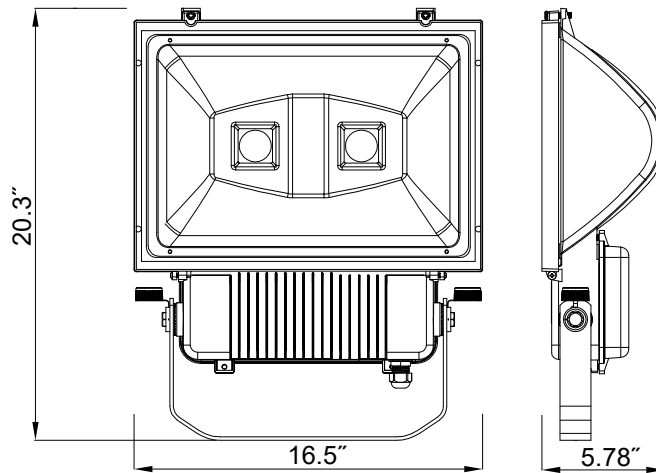
ORDERING GUIDE:

Series	Watts	Driver	Color	Description
FDL Large Dual Flood	155WLED	UNIV 120-277V Driver	50	CORDW/x Wet Location Strain Relief Cord (x = ft)
			40	PC Photocell Universal Voltage (120-277V)
			30	SMLxxxx Specified Max Lumen Output (xxxx = lumen output)
				GS Glare Shield
				WG Wire Guard
				PMB Pole Mount Bracket (3' cord & bushing incl.)
				TMB Tenon Mount Bracket (3' cord & bushing incl.)
				SP1 10kA Max Univolt Surge Protector
				SP2 22kA Max Univolt Surge Protector
				SP480V2 20kA Max 480V Surge Protector
				SD480V 480V Step Down Transformer
				SD347V 347V Step Down Transformer

LARGE DUAL FLOOD - 155W LED

FLOODS 2.0

LINE DRAWING



MOUNTING OPTIONS & ACCESSORIES

- **WG** - Wire Guard
- **GS** - Glare Shield
- **PMB** - Pole Mounting Bracket - includes 3ft cord and watertight bushing (EPA Rating: 2.31ft² vertically / 1.08ft² horizontally)
- **TMB** - Tenon Mounting Bracket - includes 3ft cord and watertight bushing (EPA Rating: 2.32ft² vertically / 1.09ft² horizontally)
- **YMK** - Standard yoke included - (EPA Rating: 2.23ft² vertically / 1.001ft² horizontally)



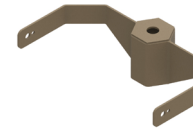
Wire Guard



GS

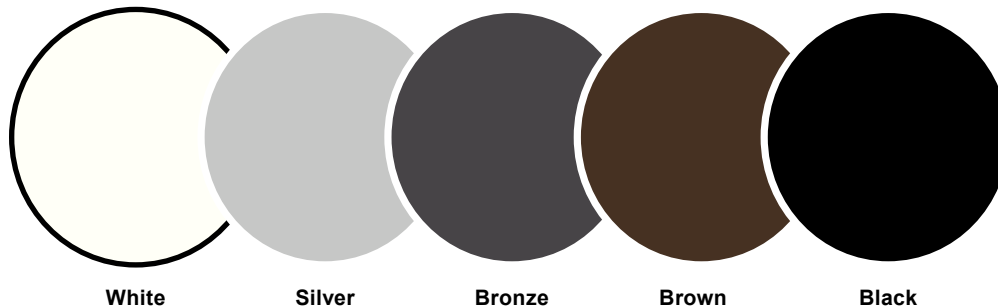


PMB



TMB

FACTORY SELECT COLOR GUIDE



White

Silver

Bronze

Brown

Black

COLOR NAME AND DESCRIPTION	SHEEN	PRODUCT	VENDOR	PRICING
WHT - ILP White	SEMI GLOSS	POLANE T	SHERWIN-WILLIAMS	Contact Factory for Pricing
SLV - ILP Silver - Ultrasonic Chrome	GLOSS	POLANE T	SHERWIN-WILLIAMS	Contact Factory for Pricing
BRZ - ILP Bronze - std. & in stock	SEMI GLOSS	POLANE T	SHERWIN-WILLIAMS	Standard
BRN - ILP Brown	SEMI GLOSS	POLANE T	SHERWIN-WILLIAMS	Contact Factory for Pricing
BLK - ILP Black	SEMI GLOSS	POLANE T	SHERWIN-WILLIAMS	Contact Factory for Pricing

**COLORS SHOWN ABOVE ARE TO BE USED AS REFERENCE, NOT EXACT MATCH.
PLEASE REQUEST PAINT CHIPS FOR EXACT MATCH.**

LARGE DUAL FLOOD - 155W LED

FLOODS 2.0

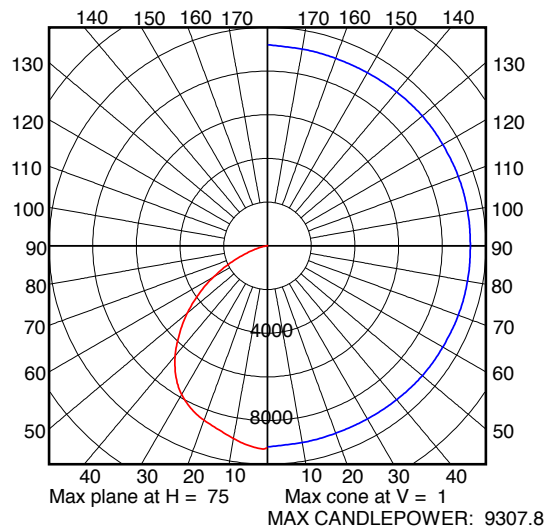
PHOTOMETRIC REPORT

FDL-155WLED-UNIV-40

SUMMARY DATA

HEMISPHERES TESTED:	BOTH
EFFICIENCY (Down / Up):	99.9 % / 0.1%
EFFICIENCY (Street / House):	50.0% / 50.0%
ROADWAY CLASSIFICATION:	TYPE VS
CUTOFF CLASSIFICATION:	CUTOFF
LUMENS:	21,108.2
INPUT WATTS:	160.71

CANDELA PLOT



Photometric values based upon tests performed in compliance with LM-79.
IES files can be downloaded at www.ilp-inc.com