

Project Name:	Part Number:	Type:
---------------	--------------	-------

# GRID FRAME HIGH BAY 2x4

## RECESSED HIGH BAY



407-478-3759  
www.ilp-inc.com

### FEATURES

- 2x4 Recessed Grid High Bay
- Specification grade for new construction or renovation of any building
- .040 aluminum prepainted housing
- Standard Configuration
  - No Lens
  - No Wire Cage
- Frosted Lens option available
- Clear Polycarbonate Lens option available
- Wire Cage option available
- Flange Kit option available
- 0-10V Dimmable Driver (100% - 5%)
- 120V-277V Universal Voltage
- 5 year warranty
- ETL Damp Location Listed
- DesignLights Consortium® Premium Qualified Luminaire



Without Frosted Lens



Frosted Lens



### SUITABLE APPLICATIONS

- Gymnasiums
- Multipurpose Rooms
- Car Dealerships
- Racquetball Courts

LED SYSTEMS INFO	90W	90W FRL	130W	130W FRL	180W	180W FRL
Calculated L <sub>70</sub>	>100K	>100K	>100K	>100K	>100K	>100K
Delivered Lumens	13,991 lm	12,681 lm	20,793 lm	18,749 lm	26,798 lm	24,350 lm
Total Input Watts	88 W	89 W	132 W	132 W	176 W	176 W
Efficacy Rating	158 lm/W	143 lm/W	158 lm/W	142 lm/W	152 lm/W	138 lm/W
CCT	5000K	5000K	5000K	5000K	5000K	5000K
CRI	>80	>80	>80	>80	>80	>80
Ambient Range	-40°F - 122°F	-40°F - 122°F	-40°F - 122°F	-40°F - 122°F	-40°F - 122°F	-40°F - 122°F

LED System data above based on GH24-90WLED-UNIV-50, GH24-90WLED-UNIV-50-FRL, GH24-130WLED-UNIV-50, GH24-130WLED-UNIV-50-FRL, GH24-180WLED-UNIV-50, & GH24-180WLED-UNIV-50-FRL  
Lumen Maintenance Estimates based on TM-21 projections for the light source at 25°C ambient.

### ORDERING GUIDE:

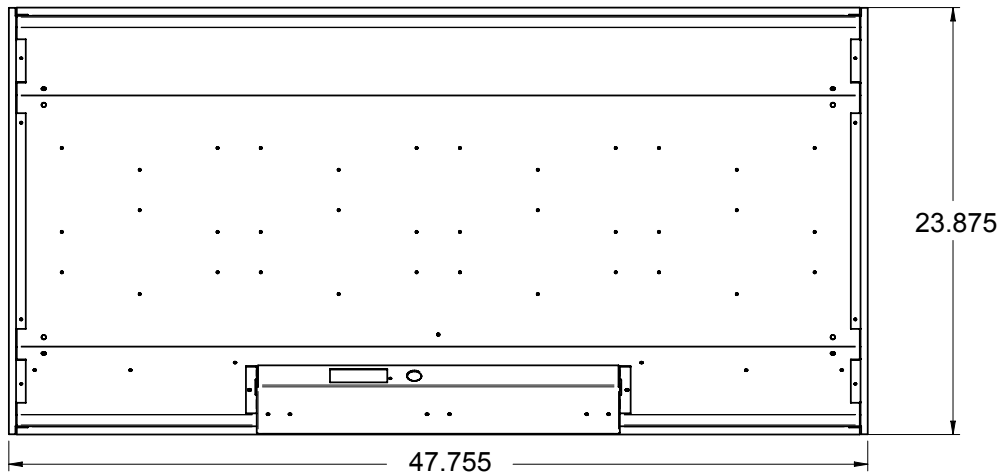
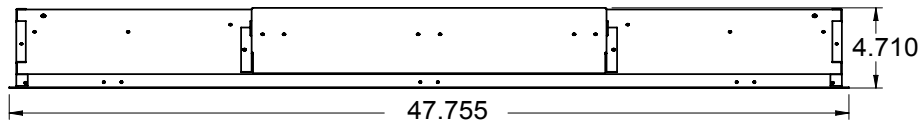
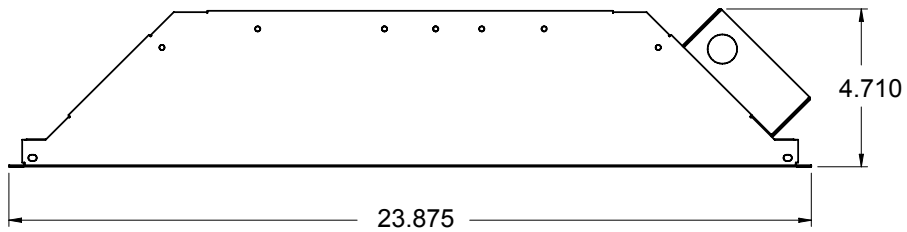
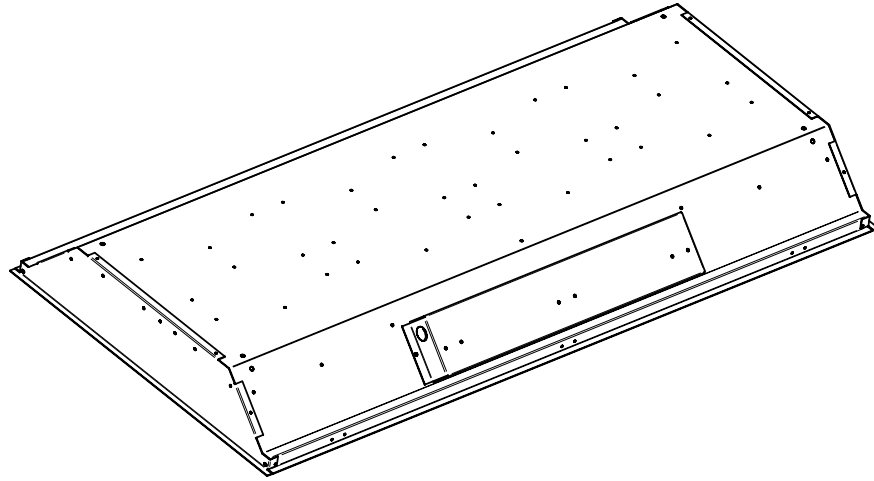
Series	Watts	Driver	Color	Options	
GH24 Grid High Bay 2x4	90WLED	UNIV 120-277V Driver	50	FRL	Frosted Acrylic Lens
	130WLED		40	PCL**	Clear Polycarbonate Lens
	180WLED		35	WC**	Wire Cage
			30	FLGK	Flange Kit
				HC	Hurricane Clips
				G*	Single Gasket
				G2*	Double Gasket
				G3*	Triple Gasket
				FI/ILBCP05	5W LED Factory Installed Battery Backup
				FI/ILBCP07	7W LED Factory Installed Battery Backup
				FI/ILBCP10	10W LED Factory Installed Battery Backup
				FI/ILBCP12	12W LED Factory Installed Battery Backup
				FI/ILBCP20	20W LED Factory Installed Battery Backup
		SD480**	480V Step Down Transformer		
		SD347**	347V Step Down Transformer		
		WHIP/6FT	6ft MC Cable Whip w/ 3 Leads		
		WHIP/6FT/4WIRE	6ft 4 Wire MC Cable Whip w/ 4 Leads used for Battery Backup		
		WHIP/6FT/5WIRE/600V	6ft 5 Wire MC Cable Whip w/ 3 leads attached to power, & 2 leads attached to dimming		

\* Does not make fixture Wet Location or Dust Tight Rated

\*\* Does not qualify for DLC

# GRID FRAME HIGH BAY 2x4

## RECESSED HIGH BAY



# GRID FRAME HIGH BAY 2x4

## RECESSED HIGH BAY

### PHOTOMETRIC REPORTS

Photometric values based upon tests performed in compliance w/ LM-79. Download IES files at [www.ilp-inc.com](http://www.ilp-inc.com)

