

2'X4' VOLUMETRIC TROFFER

RECESSED TROFFER



FEATURES

- Architectural design
- Steel housing
- White powdercoat finish
- 91% white reflector
- Frosted acrylic lens
- 0-10V Dimmable Driver (100% - 5%)
- TypelC (suitable for insulation contact)
- 3500K and 4000K available
- Universal Voltage
- 5 Year Warranty
- DesignLights Consortium® Premium Qualified Luminaire



SUITABLE APPLICATIONS

- Offices
- Hallways
- Multipurpose Rooms
- Conference Rooms

| LED SYSTEMS INFO | | 30W | 34W | 56W | | 30W | 34W |
|---|-------|-----------|-----------|-----------|-------|-----------|-----------|
| Calculated L ₇₀ (TM-21) | 4000K | >100K | >100K | >100K | 3500K | >100K | >100K |
| Delivered Lumens | | 3,780 lm | 4,590 lm | 7,004 lm | | 3,646 lm | 4,294 lm |
| Total Input Watts | | 30 W | 34 W | 56 W | | 29 W | 32 W |
| Luminaire Efficacy Rating (LER) | | 126 lm/W | 135 lm/W | 125 lm/W | | 127 lm/W | 133 lm/W |
| Correlated Color Temperature (CCT) | | 4000K | 4000K | 4000K | | 3500K | 3500K |
| Color Rendering Index (CRI) | | >80 | >80 | >80 | | >80 | >80 |
| Ambient Temperature Range | | 110°F | 110°F | 110°F | | 110°F | 110°F |
| Universal Driver | | 120-277 V | 120-277 V | 120-277 V | | 120-277 V | 120-277 V |
| <small>LED System data above based on VOL24-30WLED-UNIV-40, VOL24-34WLED-UNIV-40, VOL24-56WLED-UNIV-40, VOL24-30WLED-UNIV-35*, VOL24-42WLED-UNIV-35 & VOL24-42WLED-UNIV-35. LED Lumen maintenance estimates based on TM-21 projections for the light source at 25°C ambient. * Not on DLC</small> | | | | | | | |

ORDERING GUIDE:

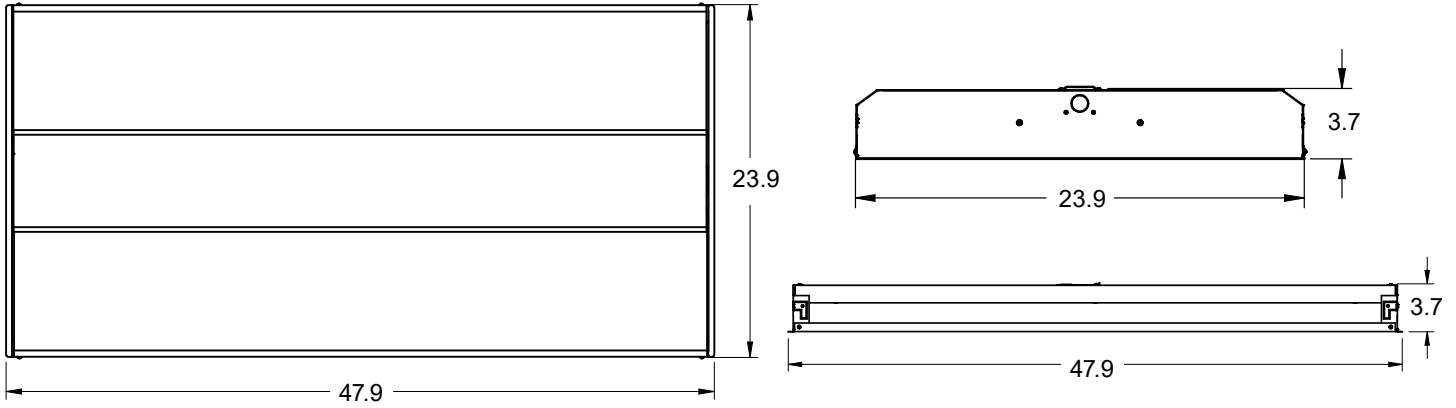
| Series | Watts | Driver | Color | Options | |
|---------------------------------------|----------------|-----------------------------|--|--|---|
| VOL24 Volumetric Troffer 2'x4' | 30WLED | UNIV 120-277V Driver | 40 | FLGK | Flange Kit |
| | 34WLED | | 35 | WHIP/6ft/5WIRE/600V | 6ft MC Cable w/ 3 leads attached to power & 2 leads attached to dimming (120V-277V) |
| | 56WLED* | | WHIP/6ft/6WIRE/600V | 6ft MC Cable w/ 3 leads for fixture power, 1 lead for battery backup power & 2 leads attached to dimming (120V-277V) | |
| | | | FI/ILBCP05† | Factory Installed 5W LED Battery Backup | |
| | | FI/ILBCP07† | Factory Installed 7W LED Battery Backup | | |
| | | FI/ILBCP10† | Factory Installed 10W LED Battery Backup | | |
| | | FI/ILBCP12† | Factory Installed 12W LED Battery Backup | | |

† Height with factory installed battery backup up to 5.125
 * Not available in 3500K

2'X4' VOLUMETRIC TROFFER

RECESSED TROFFER

LINE DRAWINGS



2'X4' VOLUMETRIC TROFFER

RECESSED TROFFER

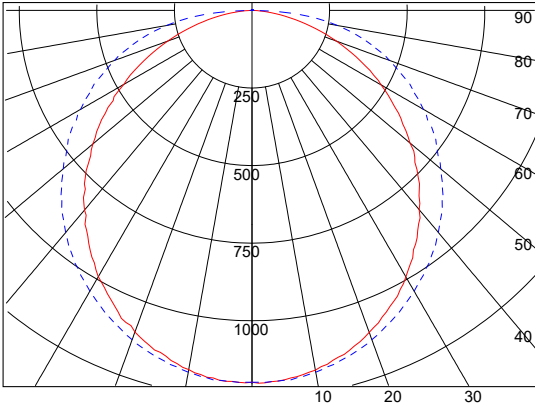
PHOTOMETRIC REPORTS

VOL24-30WLED-UNIV-40

SUMMARY DATA

| | |
|---------------------------------|----------------|
| HEMISPHERES TESTED: | BOTH |
| EFFICIENCY (Downlight/Uplight): | 99.8 % / 0.2 % |
| CIE CLASSIFICATION: | DIRECT |
| LUMENS: | 3633.49 |
| INPUT WATTS: | 28.9 |

CANDELA PLOT



Totally Asymmetric Solid: 180-0 Degrees Dashed: 270-90 Degrees

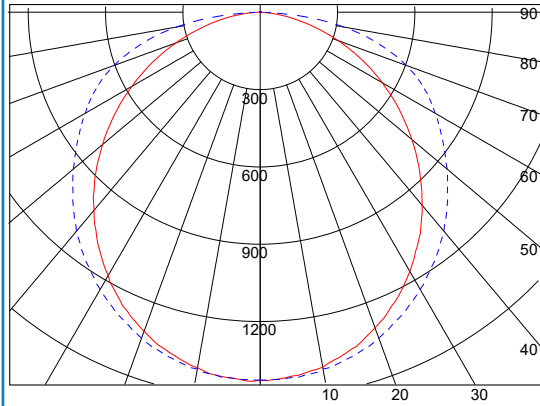
Photometric values based upon tests performed in compliance w/ LM-79.
Download IES files at www.ilp-inc.com

VOL24-34WLED-UNIV-40

SUMMARY DATA

| | |
|---------------------------------|----------------|
| HEMISPHERES TESTED: | BOTH |
| EFFICIENCY (Downlight/Uplight): | 99.8 % / 0.2 % |
| CIE CLASSIFICATION: | DIRECT |
| LUMENS: | 4325.23 |
| INPUT WATTS: | 32.5 |

CANDELA PLOT



Totally Asymmetric Solid: 180-0 Degrees Dashed: 270-90 Degrees

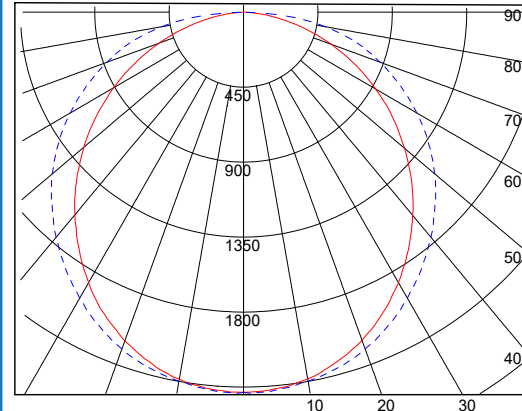
Photometric values based upon tests performed in compliance w/ LM-79.
Download IES files at www.ilp-inc.com

VOL24-56WLED-UNIV-40

SUMMARY DATA

| | |
|---------------------------------|-----------------|
| HEMISPHERES TESTED: | BOTH |
| EFFICIENCY (Downlight/Uplight): | 100.0 % / 0.0 % |
| CIE CLASSIFICATION: | DIRECT |
| LUMENS: | 6865.1 |
| INPUT WATTS: | 55.1 |

CANDELA PLOT



Totally Asymmetric Solid: 180-0 Degrees Dashed: 270-90 Degrees

Photometric values based upon tests performed in compliance w/ LM-79.
Download IES files at www.ilp-inc.com