



LED Vapor Tight Retrofit 4ft – Installation Instructions



WARNING – RISK OF FIRE OR ELECTRIC SHOCK. LED RETROFIT KIT INSTALLATION REQUIRES KNOWLEDGE OF LUMINAIRES ELECTRICAL SYSTEMS. IF NOT QUALIFIED, DO NOT ATTEMPT INSTALLATION. CONTACT A QUALIFIED ELECTRICIAN.

AVERTISSEMENT - RISQUE D'INCENDIE OU DE CHOC ÉLECTRIQUE. L'INSTALLATION DE CE NÉCESSAIRE DE MODERNISATION EXIGE UNE PERSONNE FAMILIÈRE AVEC LA CONSTRUCTION ET LE FONCTIONNEMENT DU SYSTÈME ÉLECTRIQUE DU LUMINAIRE ET DES RISQUES ASSOCIÉS. TOUTE PERSONNE QUI N'EST PAS QUALIFIÉE NE DOIT FAIRE AUCUNE TENTATIVE D'INSTALLATION ET DOIT CONTACTER UNE PERSONNE QUALIFIÉE.



WARNING – RISK OF FIRE OR ELECTRIC SHOCK. INSTALL THIS KIT ONLY IN LUMINAIRES THAT HAVE THE CONSTRUCTION FEATURES AND DIMENSIONS SHOWN IN THE PHOTOGRAPHS AND/OR DRAWINGS AND WHERE THE INPUT RATING OF THE RETROFIT KIT DOES NOT EXCEED THE INPUT RATING OF THE LUMINAIRE.

AVERTISSEMENT - RISQUE D'INCENDIE OU DE CHOC ÉLECTRIQUE. N'INSTALLER CE NÉCESSAIRE QUE DANS LES LUMINAIRES DONT LES CARACTÉRISTIQUES DE CONSTRUCTION ET LES DIMENSIONS SONT CONFORME À CELLES ILLUSTRÉES DANS LES PHOTOS ET/OU LES DESSINS ET DONT LA PUISSANCE D'ENTRÉE NOMINALE DU NÉCESSAIRE DE MODERNISATION NE DÉPASSE PAS CELLE DU LUMINAIRE.



WARNING - DO NOT MAKE OR ALTER ANY OPEN HOLES IN AN ENCLOSURE OF WIRING OR ELECTRICAL COMPONENTS DURING KIT INSTALLATION.

AVERTISSEMENT - IL EST INTERDIT DE FAIRE OU DE MODIFIER UNE OUVERTURE DANS UN BOÎTIER DE CÂBLAGE OU DE COMPOSANTS ÉLECTRIQUES AU COURS DE L'INSTALLATION DU NÉCESSAIRE.



WARNING – TO PREVENT WIRING DAMAGE OR ABRASION, DO NOT EXPOSE WIRING TO EDGES OF SHEET METAL OR OTHER SHARP OBJECTS.

AVERTISSEMENT - AFIN DE PRÉVENIR L'ENDOMMAGEMENT OU L'ABRASION DES CÂBLES, ÉVITER TOUT CONTACT ENTRE CES DERNIERS ET LE BORD D'UN OBJET TRANCHANT TEL QU'UNE TÔLE.



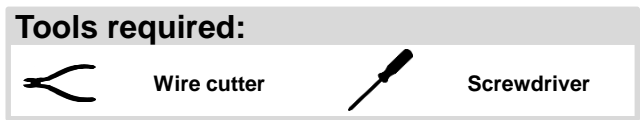
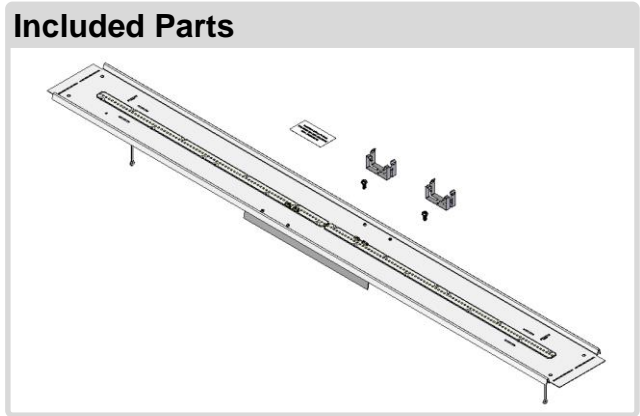
THE RETROFIT KIT IS ACCEPTED AS A COMPONENT OF A LUMINAIRE WHERE THE SUITABILITY OF THE COMBINATION SHALL BE DETERMINED BY CSA OR AUTHORITIES HAVING JURISDICTION

LE KIT DE RATTRAPAGE EST ACCEPTÉ COMME COMPOSANTE D'UN LUMINAIRE OU LA PERTINENCE DE LA COMBINAISON EST DETERMINE PAR CSA OU AUTORITÉS COMPÉTENTES.

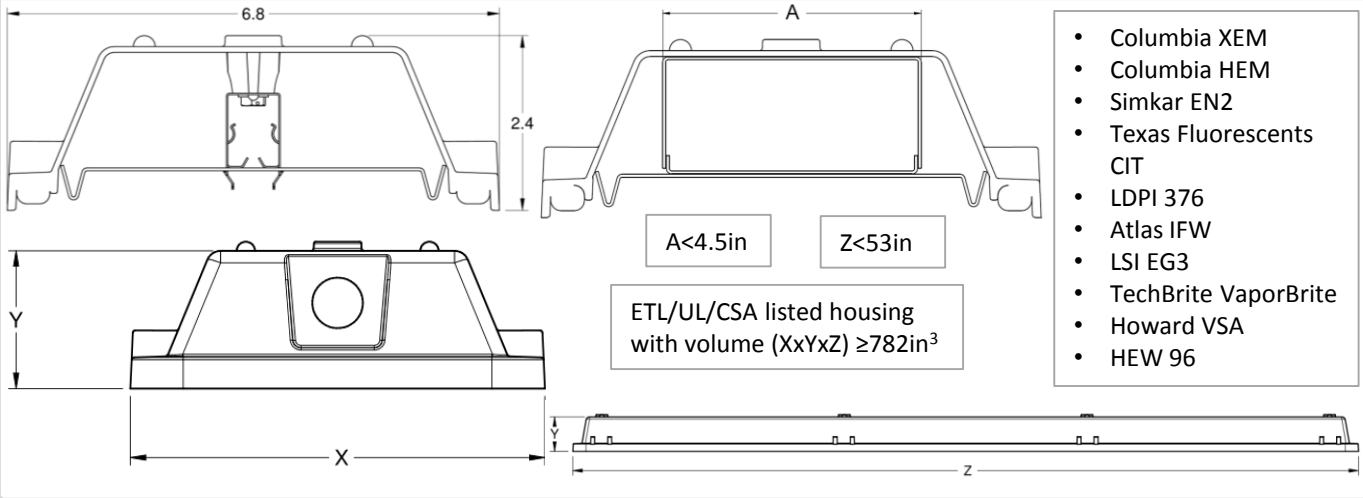


ELECTROSTATIC DISCHARGE (ESD) CAN DAMAGE LED FIXTURES. PERSONAL GROUNDING EQUIPMENT MUST BE WORN AT ALL TIMES.

DÉCHARGE ÉLECTROSTATIQUE (ESD) PEUT ENDOMMAGER LES FIXTURES LED. L'ÉQUIPEMENT PERSONNEL DE MISE À LA TERRE DOIT ÊTRE PORTÉ À TOUT MOMENT.



Compatible Fixtures



Installer Notes:

A label with model, serial number, and date of manufacture is included with the kit and must be adhered within the original luminaire during installation.

Examine all parts that are not intended to be replaced by the retrofit kit for damage and replace any damaged parts prior to installation of the retrofit kit.

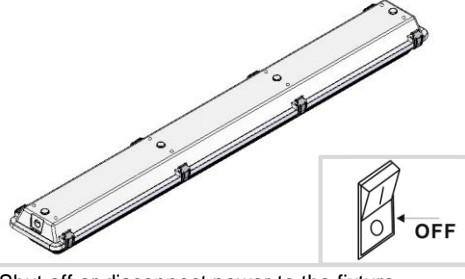
It is recommended that a single test unit is installed before full renovation to ensure fixture compatibility.

Dispose of any fluorescent lamps and ballasts in proper accordance with current state and federal regulation. Fluorescent lamps contain hazardous materials.

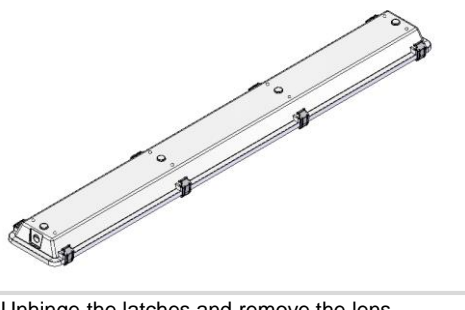
Instructions:

1 Read all Warnings and Installer Notes before proceeding with this retrofit.

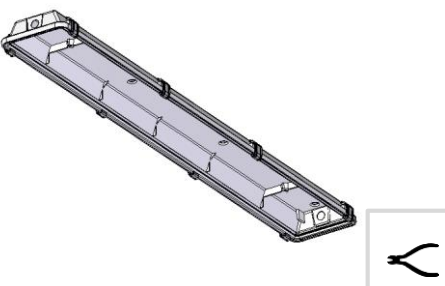
2 Check to ensure all parts listed are included in your retrofit kit.



3 Shut off or disconnect power to the fixture.

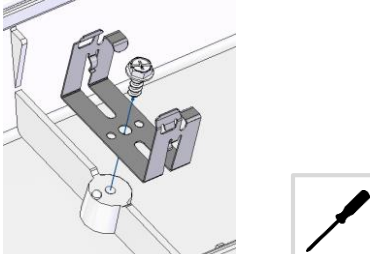


4 Unhinge the latches and remove the lens.



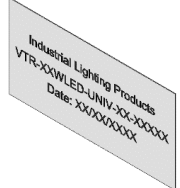
5 Disconnect ballast, then remove gear tray from fixture. If ballast is not installed on gear tray, please remove from housing.

5 Disconnect ballast, then remove gear tray from fixture. If ballast is not installed on gear tray, please remove from housing.

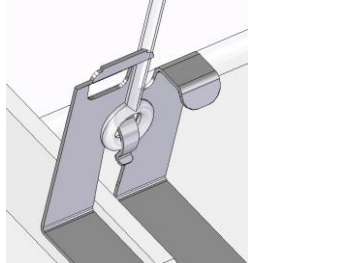


6 Install the provided clips into the housing, removing existing clips if needed. If there are no clips, please confirm there are socket bars in the fixture before continuing with installation.

6 Install the provided clips into the housing, removing existing clips if needed. If there are no clips, please confirm there are socket bars in the fixture before continuing with installation.

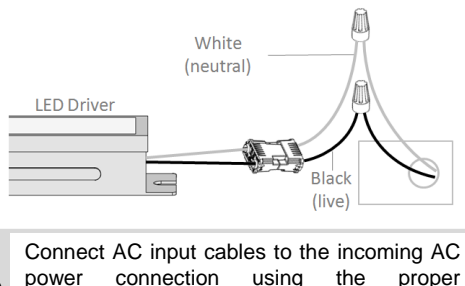


7 Adhere the Fixture ID Label within the original fixture housing in a clearly visible location.



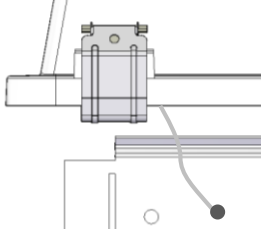
8 Securely attach the provided safety straps to the installed clips. If there are no clips, Tek-screw the straps into the strip body, making sure to avoid penetrating or damaging the fixture housing.

8 Securely attach the provided safety straps to the installed clips. If there are no clips, Tek-screw the straps into the strip body, making sure to avoid penetrating or damaging the fixture housing.



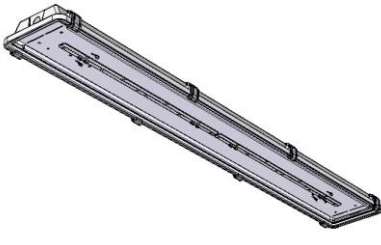
9 Connect AC input cables to the incoming AC power connection using the proper connectors in accordance with current state and federal regulations.

9 Connect AC input cables to the incoming AC power connection using the proper connectors in accordance with current state and federal regulations.




10 Ground the retrofit kit using the pin near the end of the tray in accordance with any current state and federal regulations.

10 Ground the retrofit kit using the pin near the end of the tray in accordance with any current state and federal regulations.



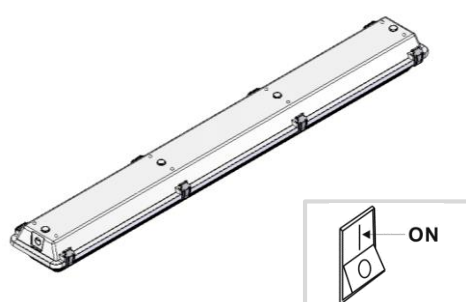
11 Once all electrical connections have been made, rotate the tray as shown above and push the tray into the clips to secure it. If there are no clips, use Tek-screws to attach the tray to the socket bars.

11 Once all electrical connections have been made, rotate the tray as shown above and push the tray into the clips to secure it. If there are no clips, use Tek-screws to attach the tray to the socket bars.



12 Reattach the lens to the fixture.

12 Reattach the lens to the fixture.



13 Turn on or reconnect the power to the fixture to complete the installation.

13 Turn on or reconnect the power to the fixture to complete the installation.