

Project Name:	Part Number:	Type:
---------------	--------------	-------

# MEDIUM OPEN FACE WALL PACK - 70W LED



407-478-3759  
www.ilp-inc.com

## OUTDOOR

### FEATURES

- Bronze die-cast aluminum housing
- Custom and factory select colors available (Contact factory for pricing)
- Silicon lens gasket and rubber housing gasket provide secure watertight seal
- Impact resistant frosted low glare prismatic polycarbonate lens with UV stabilizers
- 1/2" coin plugs with o-rings for conduit or optional photocell
- Occupancy & Bi-level Dim control options available
- Built in base bubble level for easy installation
- Non-Cutoff Type IV
- Lumileds LEDs
- Motion and daylight harvesting available
- 0-10V Dimmable Driver (100%-10%)
- IP65 Rated
- 120-277V Universal Voltage
- 5 Year Warranty
- ETL Wet Location Listed
- DesignLights Consortium® Qualified Luminaire



### SUITABLE APPLICATIONS

- Schools
- Shopping Centers
- Warehouses
- General Area Lighting

**REPLACES**  
250W MH



LED SYSTEMS INFO	4000K	5000K
Calculated L <sub>70</sub> (TM-21)	>75K	>75K
Delivered Lumens	7,770 lm	7,900 lm
Total Input Watts	70 W	70 W
Luminaire Efficacy Rating (LER)	112 lm/W	112 lm/W
Correlated Color Temperature (CCT)	4000K	5000K
Color Rendering Index (CRI)	>70	>70
Ambient Temperature Range	-40°F - 113°F	-40°F - 113°F
Universal Driver	120-277 V	120-277 V

LED System data above based on WPMO-70WLED-UNIV-40 & WPMO-70WLED-UNIV-50  
LED Lumen Maintenance Estimates based on TM-21 projections for the light source at 25°C ambient.

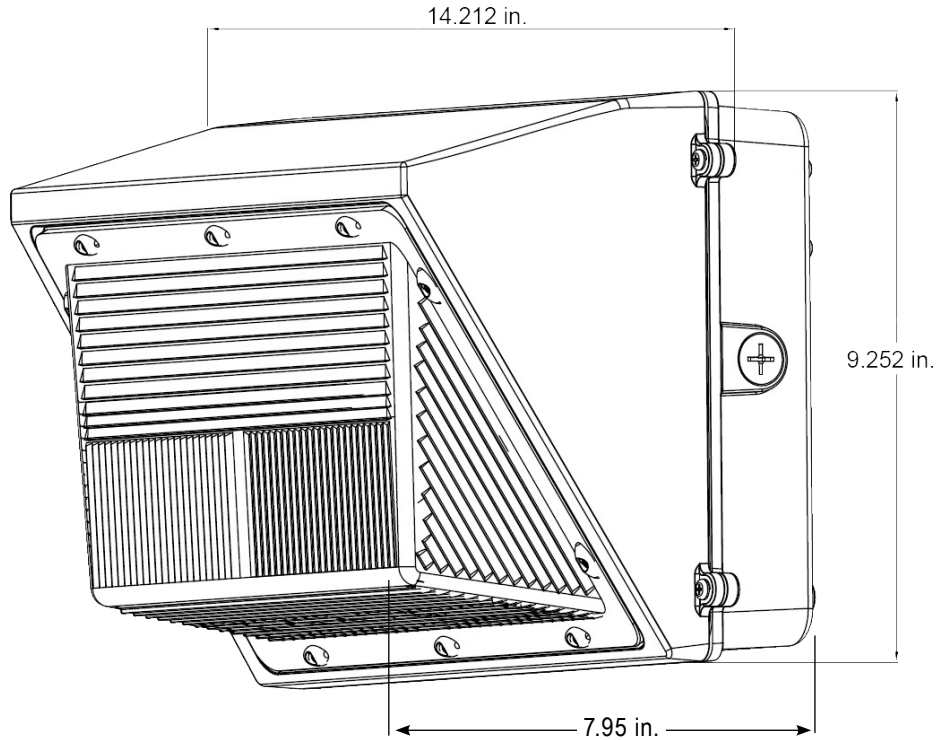
### ORDERING GUIDE:

Series	Watts	Driver	Color	Options
WPMO Medium Open Face Wall Pack	70WLED	UNIV 120-277 Driver	50 40	<b>WLOS</b> On/Off Occupancy Sensor <b>USBD</b> User Select Bi-Level Dim Occ. Sensor <b>BDxx</b> Preset Bi-Level Dim Sensor (xx=% eg. 20,30) <b>BDxxPC</b> Preset Bi-Level Dim Sensor w/ Photocell (xx=% eg. 20,30) <b>FSIR/100</b> Remote Configuration Tool (WLOS, USBD, BDxx & BDxxPC) <b>PCxxx</b> Photocell (xxx= voltage) <b>PCU</b> Photocell Universal Voltage (120-277V) <b>DIMxxx</b> Factory Set Dim Level (xxx= set wattage level) <b>SP1<sup>†</sup></b> 10kA Max Univolt Surge Protector <b>SP2<sup>†</sup></b> 22kA Max Univolt Surge Protector <b>SP480V02</b> 20kA Max 480V Surge Protector <b>FUSE/SXXX</b> Single-line Voltage Fuse (120, 277, 347) <b>FUSE/DXXX</b> Single-line Voltage Fuse (208, 240, 480) <b>FI/ILBCP05</b> 5W LED Factory Installed Battery Backup <b>LEDBBCT</b> -4°F - 80°F 10W Battery Backup <b>SD480</b> 480V Step Down Transformer <b>SD347</b> 347V Step Down Transformer

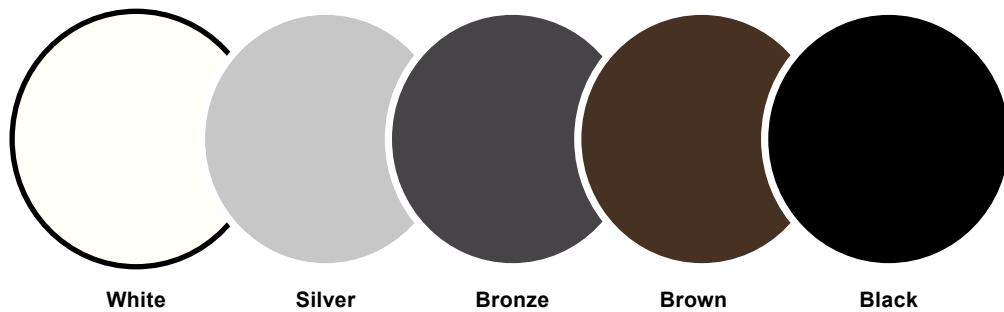
<sup>†</sup> SP1/SP2 specified in combination w/ battery backup/dual driver options, separate surge units are required per electrical line

# MEDIUM OPEN FACE WALL PACK - 70W LED

## LINE DRAWING



## FACTORY SELECT COLOR GUIDE



COLOR NAME AND DESCRIPTION	SHEEN	PRODUCT	VENDOR	PRICING
WHT - ILP White	SEMI GLOSS	POLANE T	SHERWIN-WILLIAMS	Contact Factory for Pricing
SLV - ILP Silver - Ultrasonic Chrome	GLOSS	POLANE T	SHERWIN-WILLIAMS	Contact Factory for Pricing
BRZ - ILP Bronze - std. & in stock	SEMI GLOSS	POLANE T	SHERWIN-WILLIAMS	Standard
BRN - ILP Brown	SEMI GLOSS	POLANE T	SHERWIN-WILLIAMS	Contact Factory for Pricing
BLK - ILP Black	SEMI GLOSS	POLANE T	SHERWIN-WILLIAMS	Contact Factory for Pricing

**COLORS SHOWN ABOVE ARE TO BE USED AS REFERENCE, NOT EXACT MATCH.  
PLEASE REQUEST PAINT CHIPS FOR EXACT MATCH.**

# MEDIUM OPEN FACE WALL PACK - 70W LED

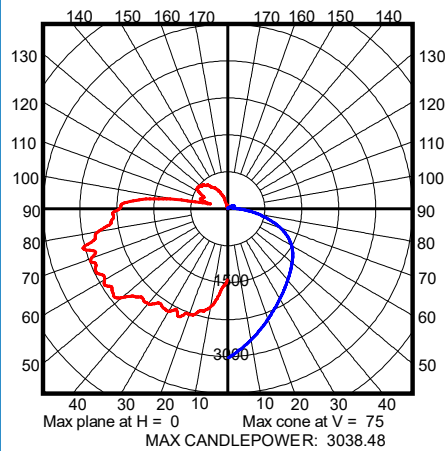
## PHOTOMETRIC REPORTS

### WPMO-70WLED-UNIV-40

#### SUMMARY DATA

HEMISPHERES TESTED:	BOTH
EFFICIENCY (Downlight/Uplight):	82.2 % / 17.4 %
EFFICIENCY (Street/House):	88.2 % / 11.4 %
ROADWAY CLASSIFICATION:	TYPE IV VS
CUTOFF CLASSIFICATION:	NON-CUTOFF
LUMENS:	7976.9
INPUT WATTS:	66.73

#### CANDELA PLOT



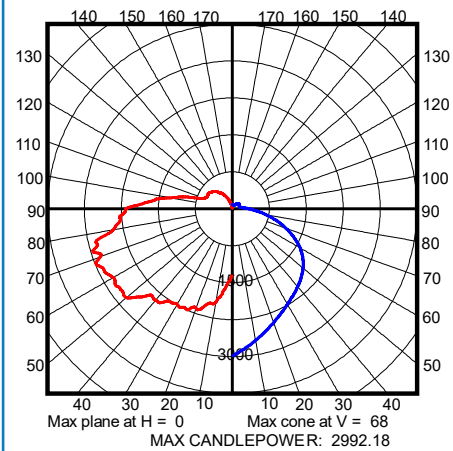
Photometric values based upon tests performed in compliance w/ LM-79.  
Download IES files at [www.ilp-inc.com](http://www.ilp-inc.com)

### WPMO-70WLED-UNIV-50

#### SUMMARY DATA

HEMISPHERES TESTED:	BOTH
EFFICIENCY (Downlight/Uplight):	79.9 % / 19.3 %
EFFICIENCY (Street/House):	87.1 % / 12.1 %
ROADWAY CLASSIFICATION:	TYPE IV VS
CUTOFF CLASSIFICATION:	NON-CUTOFF
LUMENS:	7773.3
INPUT WATTS:	67.9

#### CANDELA PLOT



Photometric values based upon tests performed in compliance w/ LM-79.  
Download IES files at [www.ilp-inc.com](http://www.ilp-inc.com)