

Project Name:

Part Number:

Type:

1x4 FLAT LENS TROFFER

RECESSED TROFFER



407-478-3759
www.ilp-inc.com

FEATURES

- Architectural design
- .040 Aluminum pre-painted housing
- Post paint available
- Flat frosted acrylic lens easily removes for cleaning
- 3000K, 3500K & 4000K CCT
- 0-10V Dimmable Driver (100%-1%)
- EasySense control available
- Type IC (suitable for insulation contact)
- 120-277V Universal Voltage
- 5 Year Warranty
- ETL Listed
- DesignLights Consortium® Qualified Luminaire



SUITABLE APPLICATIONS

- Offices
- Multipurpose Rooms
- Hallways
- Conference Rooms

LED SYSTEMS INFO	19W	30W	45W
Calculated L ₇₀ (TM-21)	>100K	>100K	>100K
Delivered Lumens	2,341 lm	3,609 lm	5,027 lm
Total Input Watts	19 W	30 W	45 W
Luminaire Efficacy Rating (LER)	125 lm/W	120 lm/W	112 lm/W
Correlated Color Temperature (CCT)	4000K	4000K	4000K
Color Rendering Index (CRI)	>80	>80	>80
Ambient Temperature Range	-4°F - 120°F	-4°F - 120°F	-4°F - 120°F
Universal Driver	120-277 V	120-277 V	120-277 V

LED System data above based on FLT-14-19WLED-UNIV-40, FLT-14-30WLED-UNIV-40 & FLT-14-45WLED-UNIV-40.
LED Lumen maintenance estimates based on TM-21 projections for the light source at 25°C ambient.

ORDERING GUIDE:

Series	Watts	Driver	Color	Options
FLT14 Recessed Troffer 1x4	19WLED	UNIV 120-277V Driver	40	POSTP
	30WLED		35	CORDx
	45WLED		30	WHIP/6ft
				WHIP/6ft/4WIRE
				WHIP/6ft/5WIRE/600V
				WHIP/6ft/6WIRE/600V
				ES
				ES/WS
				ES/PCD
				SR
				DR
				VDO†
				VRF†
				DIMxx
				BLD*
				FLGK
				HC
				SM
				F1/ILBCP05
				F1/ILBCP07
				F1/ILBCP10
				F1/ILBCP12
				SD347*
				SD480*

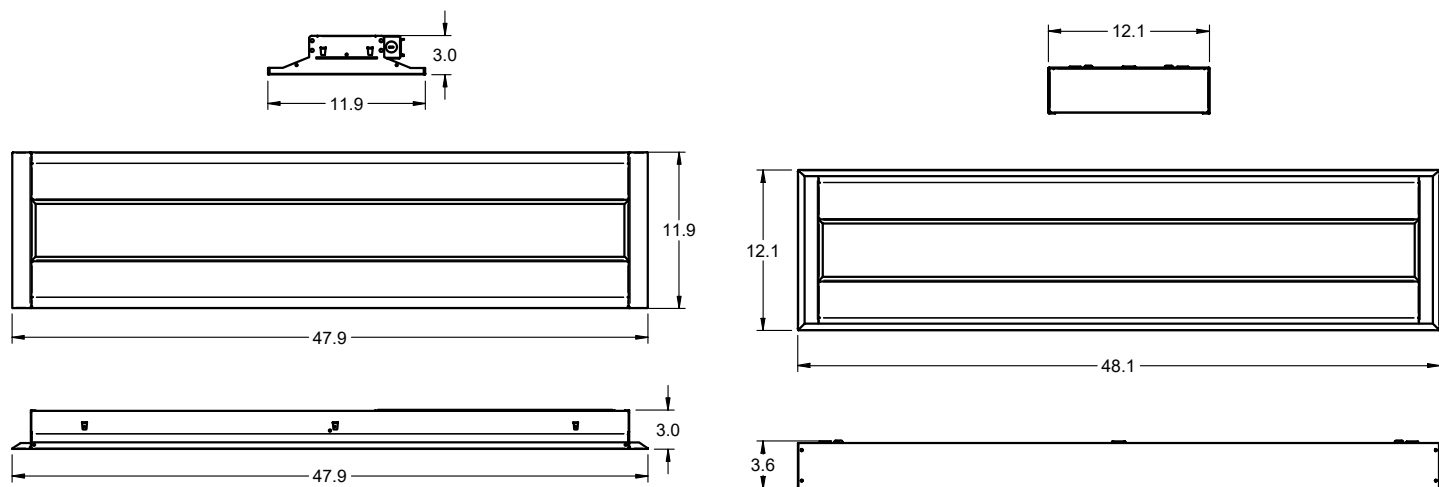
† Must be used with SR Sensor Ready Driver

* Does not qualify for DLC.

1x4 FLAT LENS TROFFER

RECESSED TROFFER

LINE DRAWING



Dimensions with Surface Mount

PHOTOMETRIC REPORTS

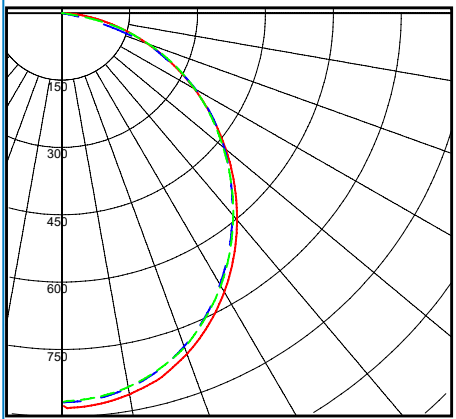
Photometric values based upon tests performed in compliance w/ LM-79. Download IES files at www.ilp-inc.com

FLT14-19WLED-UNIV-40

SUMMARY DATA

HEMISPHERES TESTED:	BOTH
EFFICIENCY (Downlight):	100.0 %
EFFICIENCY (Uplight):	0.0 %
CIE CLASSIFICATION:	DIRECT
SPACING CRITERION (0-Deg.):	1.23
SPACING CRITERION (90-Deg.):	1.18
LUMENS:	2260.99
INPUT WATTS:	18.82

CANDELA PLOT



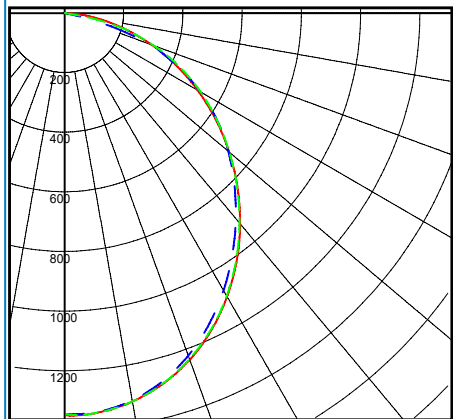
Quadrilaterally Symmetric
 Solid: 0 Degrees
 Small Dash: 45 Degrees
 Large Dash: 90 Degrees

FLT14-30WLED-UNIV-40

SUMMARY DATA

HEMISPHERES TESTED:	BOTH
EFFICIENCY (Downlight):	100.0 %
EFFICIENCY (Uplight):	0.0 %
CIE CLASSIFICATION:	DIRECT
SPACING CRITERION (0-Deg.):	1.21
SPACING CRITERION (90-Deg.):	1.19
LUMENS:	3514.86
INPUT WATTS:	30.15

CANDELA PLOT



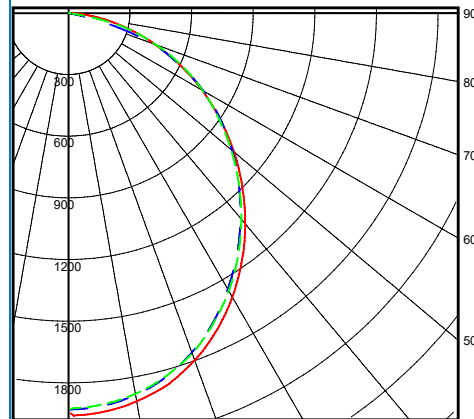
Quadrilaterally Symmetric
 Solid: 0 Degrees
 Small Dash: 45 Degrees
 Large Dash: 90 Degrees

FLT14-45WLED-UNIV-40

SUMMARY DATA

HEMISPHERES TESTED:	BOTH
EFFICIENCY (Downlight):	100.0 %
EFFICIENCY (Uplight):	0.0 %
CIE CLASSIFICATION:	DIRECT
SPACING CRITERION (0-Deg.):	1.23
SPACING CRITERION (90-Deg.):	1.20
LUMENS:	5026.72
INPUT WATTS:	45.05

CANDELA PLOT



Quadrilaterally Symmetric
 Solid: 0 Degrees
 Small Dash: 45 Degrees
 Large Dash: 90 Degrees