

AMBER FULL CUTOFF WALL PACK - FWC 100W



407-478-3759
www.ilp-inc.com

OUTDOOR

FEATURES

- Bronze die-cast aluminum housing
- Hinged full cutoff front frame
- ½" Coin plugs with o-rings for conduit or optional photocell
- Textured architectural bronze powdercoat finish over a chromate conversion coating
- Cast-in template for mounting directly over a 4" recessed outlet box
- Amber LEDs 585-595 nm Dominant Wave Length
- Front Side Glare Shield (FGS)
- ETL Listed for wet locations
- Dark Sky Compliant
- Custom colors available upon request
- 5 Year warranty



SUITABLE APPLICATIONS

- Parking Lots
- Beachfront Buildings
- Pathways
- Pool Decks
- Hotels
- Retail
- Shopping Centers
- Condominium



Wildlife Lighters Certification Number: 2018-03

LED SYSTEMS INFO		FWC
Calculated L ₇₀	AMBER	>33.3K
Delivered Lumens		1,593 lm
Total Input Watts		100 W
Maximum Ambient Temperature		101°F
Universal Driver		120-277 V
<small>LED system data above is based on scaled Goniphotometer results. Note: IES file available for FWC configuration. Note: FWC has T4 optics and FGS as standard options.</small>		

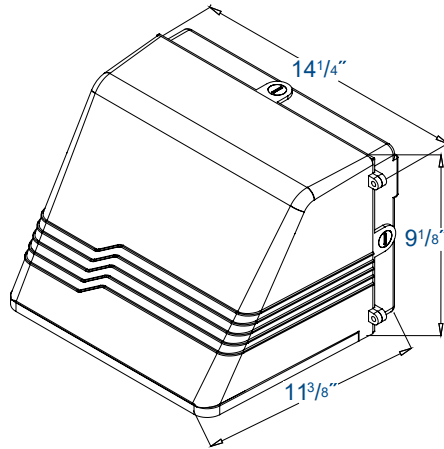
ORDERING GUIDE:

Series	Watts	Driver	Color	Optics	Options
WPCM Full Cutoff Wall Pack	100WLED	UNIV 120-277V	AMBER	<input checked="" type="checkbox"/> T4	<input checked="" type="checkbox"/> FGS Front Side Glare Shield SP1 10KA Univolt Surge Protection SP2 22KA Univolt Surge Protection SP480V2 20KA 480V Surge Protection FI/ILBCP05 5W LED Factory Installed Battery Backup FI/ILBCP07 7W LED Factory Installed Battery Backup FI/ILBCP010 10W LED Factory Installed Battery Backup FI/ILBCP012 12W LED Factory Installed Battery Backup LEDBCT -4°F - 80°F 10W Battery Backup SD480V 480V Step Down Transformer SD347V 347V Step Down

AMBER FULL CUTOFF WALL PACK - FWC 100W

OUTDOOR

LINE DRAWING

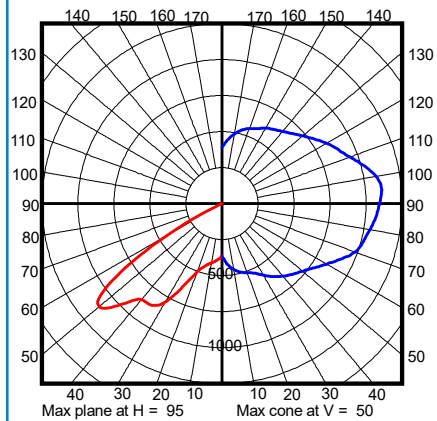


WPCS-100WLED-UNIV-AMBER-T4-FGS

SUMMARY DATA

HEMISPHERES TESTED:	BOTH
EFFICIENCY (Downlight/Uplight):	101.1 % / 0.0 %
EFFICIENCY (Street/House):	50.0 % / 51.1 %
ROADWAY CLASSIFICATION:	TYPE II, SHORT
CUTOFF CLASSIFICATION:	NONCUTOFF
LUMENS:	1,592.73
INPUT WATTS:	0

CANDELA PLOT



MAX CANDLEPOWER: 1112.233

Photometric values based upon tests performed in compliance w/ LM-79.
Download IES files at www.ilp-inc.com