

AMBER FULL CUTOFF WALL PACK - FWC 50W

OUTDOOR



407-478-3759
www.ilp-inc.com

FEATURES

- Die-cast aluminum housing
- Hinged full cutoff front frame
- ½" Coin plugs with o-rings for conduit or optional photocell
- Textured architectural bronze powdercoat finish over a chromate conversion coating
- Cast-in template for mounting directly over a 4" recessed outlet box
- Amber LEDs 585-595 nm Dominant Wave Length
- Front Side Glare Shield (FGS)
- ETL Listed for wet locations
- Dark Sky Compliant
- Custom colors available upon request
- 5 Year warranty



SUITABLE APPLICATIONS

- Parking Lots
- Beachfront Buildings
- Pathways
- Pool Decks
- Hotels
- Retail
- Shopping Centers
- Condominium

LED SYSTEMS INFO		FWC
Calculated L70	AMBER	>33.3K
Delivered Lumens		818 lm
Total Input Watts		50 W
Maximum Ambient Temperature		120°F
Universal Driver		120-277 V

LED system data above is based and scaled Goniphotometer results.
Note: IES file available for FWC configuration.
Note: FWC has T4 optics and FGS as standard options.



Wildlife Lighters Certification Number: 2018-03

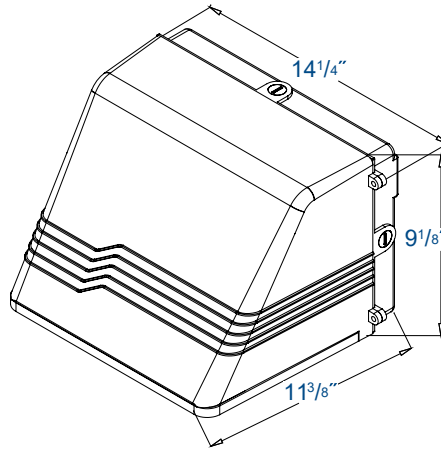
ORDERING GUIDE:

Series	Watts	Driver	Color	Optics	Options
WPCS Full Cutoff Wall Pack	28WLED	UNIV 120-277V	AMBER	<input checked="" type="checkbox"/> T4	<input checked="" type="checkbox"/> FGS Front Side Glare Shield <input checked="" type="checkbox"/> PCU Electronic UNIV Photocell (120-277V) FI/ILBCP05 5W LED Factory Installed Battery Backup SP1 10KA Univolt Surge Protection SP2 22KA Univolt Surge Protection

AMBER FULL CUTOFF WALL PACK - FWC 50W

OUTDOOR

LINE DRAWING

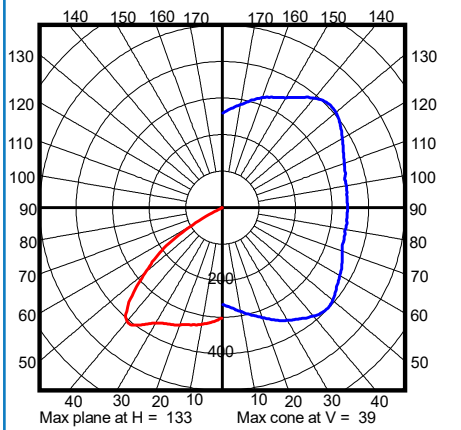


WPCS-50WLED-UNIV-AMBER-T4-FGS

SUMMARY DATA

HEMISPHERES TESTED:	BOTH
EFFICIENCY (Downlight/Uplight):	101.1 % / 0.1 %
EFFICIENCY (Street/House):	50.6 % / 50.6 %
ROADWAY CLASSIFICATION:	TYPE II, VERYSHORT
CUTOFF CLASSIFICATION:	SEMICUTOFF
LUMENS:	817.69
INPUT WATTS:	0

CANDELA PLOT



Photometric values based upon tests performed in compliance w/ LM-79.
Download IES files at www.ilp-inc.com