

Project Name:	Part Number:	Type:
---------------	--------------	-------

BLIZZARD EXT 2 SERIES

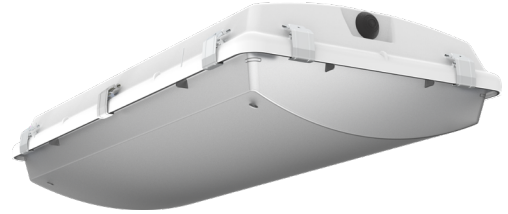
VAPOR TIGHT HIGH BAY



407-478-3759
www.ilp-inc.com

FEATURES

- 2ft Vapor Tight High Bay
- Clear Acrylic Lens (CAL), Frosted Acrylic (FRAL), or Polycarbonate Lens (PCL) available
- V-Hooks for chain or cable hanging (std.)
- Optional Rigid Mounting Beam (RMBSS) allows for secure ceiling mount/dual pendant mount
- Marine grade 316 stainless steel latches (std.)
- 120V- 277 0-10V Dimmable Driver Standard
- 5 Year Warranty
- ETL Wet location rated
- Fiberglass body attributes:
 - IP65, IP66, IP67 (Dust tight, low/high pressure water jets and immerse 1M)
 - NEMA4X, NSF Rated & 5VA Flame Rating
- DesignLights Consortium® Qualified Luminaire



SUITABLE APPLICATIONS

- Coolers / Freezers
- Food Preparation
- Distribution Center
- Commercial or Industrial Buildings

LED SYSTEMS INFO		CAL	FRAL		CAL	FRAL
Calculated L ₇₀ (TM-21) Hours	95W	>100K	>100K	140W	>100K	>100K
Delivered Lumens		11,963 lm	11,740 lm		15,820 lm	15,600 lm
Total Input Watts		96 W	96 W		140 W	140 W
Luminaire Efficacy Rating (LER)		125 lm/W	122 lm/W		114 lm/W	112 lm/W
Correlated Color Temperature (CCT)		5000K	5000K		5000K	5000K
Color Rendering Index (CRI)		>80	>80		>80	>80
Maximum Ambient Temperature		130°F	130°F		104°F	104°F
Minimum Ambient Temperature		-31°F	-31°F		-31°F	-31°F
Universal Driver		120-277 V	120-277 V		120-277 V	120-277 V

LED System data above based on BLEXT2-95WLED-UNIV-50-CAL, BLEXT2-95WLED-UNIV-50-FRAL, BLEXT2-140WLED-UNIV-50-CAL, & BLEXT2-140WLED-UNIV-50-FRAL
LED Lumen Maintenance Estimates based on TM-21 projections for the light source at 25°C ambient.

ORDERING GUIDE:

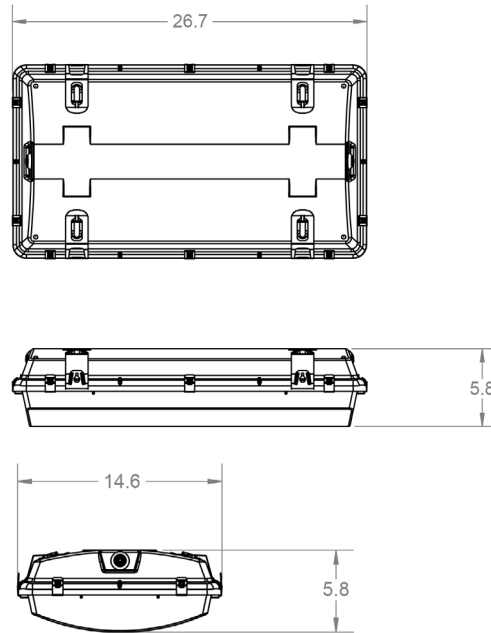
Series	Watts	Driver	CCT	Options	
BLEXT2 Blizzard EXT 2ft	95WLED ¹	UNIV 120-277V	50	CAL	Clear Acrylic Lens (std.)
	140WLED ¹		40	FRAL	Frosted Acrylic Lens
			35	PCL ¹	Polycarbonate Lens
			30	CORDWx	Wet Location Strain Relief Cord (x = ft)
				CORD/6FT/5WIRE/600V	6ft 5 wire cord w/ 3 leads attached to power & 2 leads attached to dimming
				WLOS ²	Wet Location Sensor Installed
				WLOSPC ²	Wet Location Sensor w/ Photocell
				USBD ²	User Select Bi-level Dimming Occ. Sensor
				BDxx ²	Preset Bi-Level Dim Sensor (xx=%eg.20,30)
				BDxxPC ²	Preset Bi-level Dim Sensor w/ Photocell
				RMBSS BLEXT2	Rigid Mounting Beam for Surface Mounting (use w/ HUB½)
				SMB KIT BL	Surface Mount V-Clip Brackets
				HUB 1/2 ²	Conduit Hub ½" (Use w/ RMBSS)
				HB-XX-18Y-PAD ²	Y-Toggle Cable System (xx = in)
				FI/ILBCP05 ³	5W LED Factory Installed Battery Backup
				FI/ILBCP05/HE ³	5W LED Factory Installed Battery Backup - CEC Title 20 Compliant
				FI/ILBCP07 ³	7W LED Factory Installed Battery Backup
				FI/ILBCP07/HE ³	7W LED Factory Installed Battery Backup - CEC Title 20 Compliant
				FI/ILBCP10 ³	10W LED Factory Installed Battery Backup
				FI/ILBCP10/HE ³	10W LED Factory Installed Battery Backup - CEC Title 20 Compliant
				FI/ILBCP12 ³	12W LED Factory Installed Battery Backup
				LEDBBCT	-4°F Cold Temp. Battery Backup
				SD480 ¹	480V Step Down Transformer
				SD347 ¹	347V Step Down Transformer

¹Does not qualify for DLC
²Does not qualify for NSF Standards
³Operating temp down to 32°F

BLIZZARD EXT 2 SERIES

VAPOR TIGHT HIGH BAY

LINE DRAWING



MOUNTING OPTIONS

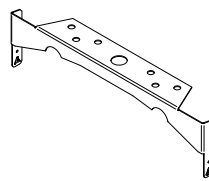
- **V-Hooks (std)** - For Dual Point Chain or Cable Hanging
- **SMB KIT BL** - Surface mount v-clips brackets (301 SS)
- **BL-RMBSS** - Optional Rigid Mounting Beam allows for:
 - Secure Ceiling Mount
 - Dual Pendant Mount ($\frac{1}{2}$ " Conduit Hubs required, sold separately)
- **HUB $\frac{1}{2}$** - Conduit Hub $\frac{1}{2}$ " (Must be used with BL-RMBSS)
- **HB-XX-18Y-PAD** - Y-Toggle Cable System (xx=in)



V-Hooks (std.)



SMB KIT BL



BL-RMBSS



HUB $\frac{1}{2}$



HB-XX-18Y-PAD

BLIZZARD EXT 2 SERIES

VAPOR TIGHT HIGH BAY

PHOTOMETRIC REPORTS

Photometric values based upon tests performed in compliance with LM-79. IES files can be downloaded at www.ilp-inc.com

