

Project Name:	Part Number:	Type:
---------------	--------------	-------

FULL CUTOFF WALL PACK - 28W LED

OUTDOOR



FEATURES

- Bronze die-cast aluminum housing
- Custom and factory select colors available (Contact factory for pricing)
- Hinged full cutoff front frame
- ½" Coin plugs with o-rings for conduit or optional photocell
- Forward throw optic lens
- Cast-in template for mounting directly over a 4" recessed outlet box
- 3000K, 4000K and 5000K CCT
- 0-10V Dimmable Driver
- Dark Sky Compliant, 3000K is IDA Listed
- 120-277V Universal Voltage
- 5 Year Warranty
- ETL Listed for Wet Location
- DesignLights Consortium® Premium Qualified Luminaire



SUITABLE APPLICATIONS

- Parking Lots
- Loading Dock Areas
- Exterior Wall Lighting
- Building Entrance Ways

LED SYSTEMS INFO		T2	T3	T4			T2	T3	T4
Calculated L ₇₀ (TM-21)	4000K	>100K	>100K	>100K	5000K	>100K	>100K	>100K	
Delivered Lumens		3,439 lm	3,353 lm	3,277 lm		3,666 lm	3,575 lm	3,444 lm	
Total Input Watts		29 W	29 W	29 W		29 W	29 W	28 W	
Luminaire Efficacy Rating (LER)		121 lm/W	118 lm/W	115 lm/W		129 lm/W	125 lm/W	123 lm/W	
Correlated Color Temperature (CCT)		4000K	4000K	4000K		5000K	5000K	5000K	
Color Rendering Index (CRI)		>70	>70	>70		>70	>70	>70	
BUG Rating		B1 U0 G1	B1 U0 G1	B1 U0 G1		B1 U0 G1	B1 U0 G1	B1 U0 G1	
Maximum Ambient Temperature		135°F	135°F	135°F		135°F	135°F	135°F	
Universal Driver		120-277 V	120-277 V	120-277 V		120-277 V	120-277 V	120-277 V	

LED System data above based on WPCS-28WLED-UNIV-40 and WPCS-28WLED-UNIV-50
 LED Lumen maintenance estimates based on TM-21 projections for the light source at 25°C ambient.

ORDERING GUIDE:

Series	Watts	Driver	Color	Optics	Options		
WPCS Full Cutoff Wall Pack	28WLED	UNIV 120-277V Driver	50	T2	WPC15WG Wire Guard, SS Construction	PC Photocell Universal Voltage (120-277V)	
			40	T3			
			30	T4			SMLxxxx Specified Max Lumen Output (xxxx=lumen output)
							FSIR/100 Remote Configuration Tool (WLOS, USBD, BDxx & BDxxPC)
					FI/ILBCP05 5W LED Factory Installed Battery Backup		
					FUSE/SXXX* Single-line Voltage Fuse (120, 277)		
					FUSE/DXXX* Dual-line Voltage Fuse (208, 240)		
					SP1** 10kA Max Univolt Surge Protector		
					SP2** 22kA Max Univolt Surge Protector		

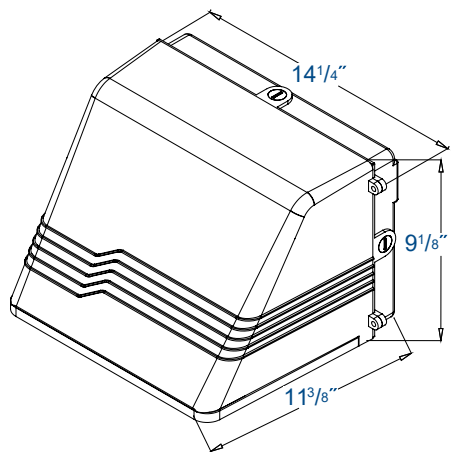
* Excludes 347V/480V

** SP1/SP2 specified in combination w/ battery backup/dual driver separate surge units are required per electrical line

FULL CUTOFF WALL PACK - 28W LED

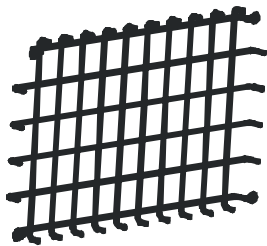
OUTDOOR

LINE DRAWING

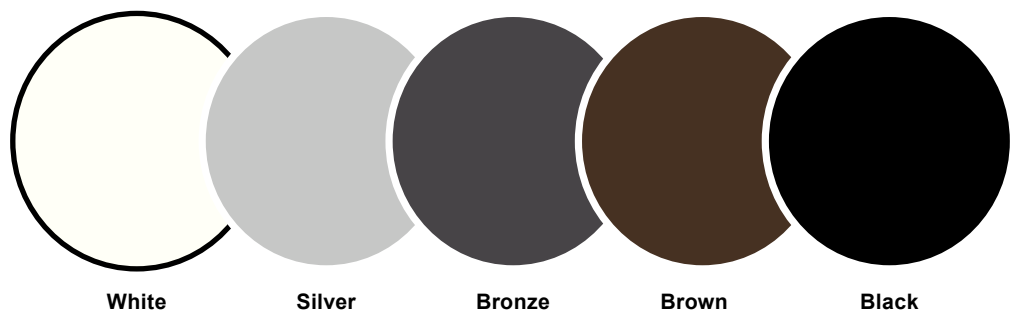


SECURITY OPTIONS

- WPC15WG - Wire Guard, SS Construction



FACTORY SELECT COLOR GUIDE



COLOR NAME AND DESCRIPTION	SHEEN	PRODUCT	VENDOR	PRICING
WHT - ILP White	SEMI GLOSS	POLANE T	SHERWIN-WILLIAMS	Contact Factory for Pricing
SLV - ILP Silver - Ultrasonic Chrome	GLOSS	POLANE T	SHERWIN-WILLIAMS	Contact Factory for Pricing
BRZ - ILP Bronze - std. & in stock	SEMI GLOSS	POLANE T	SHERWIN-WILLIAMS	Standard
BRN - ILP Brown	SEMI GLOSS	POLANE T	SHERWIN-WILLIAMS	Contact Factory for Pricing
BLK - ILP Black	SEMI GLOSS	POLANE T	SHERWIN-WILLIAMS	Contact Factory for Pricing

**COLORS SHOWN ABOVE ARE TO BE USED AS REFERENCE, NOT EXACT MATCH.
PLEASE REQUEST PAINT CHIPS FOR EXACT MATCH.**

FULL CUTOFF WALL PACK - 28W LED

OUTDOOR

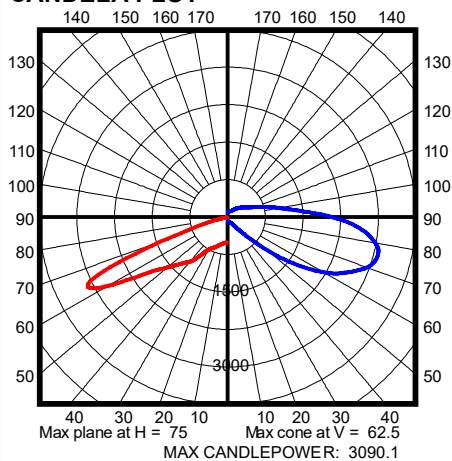
PHOTOMETRIC REPORTS

WPCS-28WLED-UNIV-40-T2

SUMMARY DATA

HEMISPHERES TESTED:	BOTH
EFFICIENCY (Downlight/Uplight):	100.0 % / 0.0 %
EFFICIENCY (Street/House):	66.0 % / 34.0 %
ROADWAY CLASSIFICATION:	TYPE II, SHORT
CUTOFF CLASSIFICATION:	NONCUTOFF
LUMENS:	3,258.92
INPUT WATTS:	29.23

CANDELA PLOT



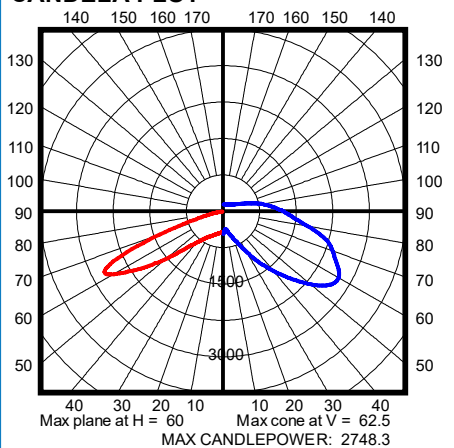
Photometric values based upon tests performed in compliance w/ LM-79.
 Download IES files at www.ilp-inc.com

WPCS-28WLED-UNIV-40-T3

SUMMARY DATA

HEMISPHERES TESTED:	BOTH
EFFICIENCY (Downlight/Uplight):	100.0 % / 0.0 %
EFFICIENCY (Street/House):	74.0 % / 26.0 %
ROADWAY CLASSIFICATION:	TYPE III, SHORT
CUTOFF CLASSIFICATION:	CUTOFF
LUMENS:	3,189.57
INPUT WATTS:	29.23

CANDELA PLOT



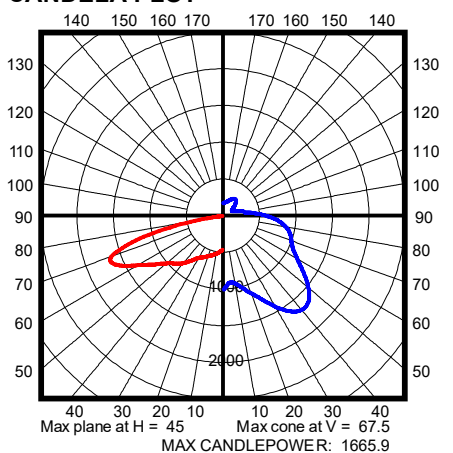
Photometric values based upon tests performed in compliance w/ LM-79.
 Download IES files at www.ilp-inc.com

WPCS-28WLED-UNIV-40-T4

SUMMARY DATA

HEMISPHERES TESTED:	BOTH
EFFICIENCY (Downlight/Uplight):	100.0 % / 0.0 %
EFFICIENCY (Street/House):	76.3 % / 23.7 %
ROADWAY CLASSIFICATION:	TYPE IV, SHORT
CUTOFF CLASSIFICATION:	SEMICUTOFF
LUMENS:	3,121.03
INPUT WATTS:	29.25

CANDELA PLOT



Photometric values based upon tests performed in compliance w/ LM-79.
 Download IES files at www.ilp-inc.com