

Project Name:	Part Number:	Type:
---------------	--------------	-------

FULL CUTOFF WALL PACK - 44W LED

OUTDOOR



407-478-3759
www.ilp-inc.com

FEATURES

- Bronze die-cast aluminum housing
- Custom and factory select colors available (Contact factory for pricing)
- Hinged full cutoff front frame
- ½" Coin plugs with o-rings for conduit or optional photocell
- Forward throw optic lens
- Cast-in template for mounting directly over a 4" recessed outlet box
- 3000K, 4000K and 5000K CCT
- 0-10V Dimmable Driver
- Dark Sky Compliant, 3000K is IDA Listed
- 120-277V Universal Voltage
- 5 Year Warranty
- ETL Listed for Wet Location
- DesignLights Consortium® Premium Qualified Luminaire



SUITABLE APPLICATIONS

- Parking Lots
- Loading Dock Areas
- Exterior Wall Lighting
- Building Entrance Ways

LED SYSTEMS INFO		T2	T3	T4		T2	T3	T4
Calculated L ₇₀ (TM-21)	4000K	>100K	>100K	>100K	5000K	>100K	>100K	>100K
Delivered Lumens		4,849 lm	4,786 lm	4,618 lm		4,757 lm	4,694 lm	4,530 lm
Total Input Watts		42 W	42 W	42 W		42 W	42 W	42 W
Luminaire Efficacy Rating (LER)		115 lm/W	113 lm/W	109 lm/W		113 lm/W	111 lm/W	107 lm/W
Correlated Color Temperature (CCT)		4000K	4000K	4000K		5000K	5000K	5000K
Color Rendering Index (CRI)		>70	>70	>70		>70	>70	>70
BUG Rating		B2 U0 G2	B1 U0 G1	B1 U0 G2		B2 U0 G2	B1 U0 G1	B1 U0 G2
Maximum Ambient Temperature		125°F	125°F	125°F		125°F	125°F	125°F
Universal Driver		120-277 V	120-277 V	120-277 V		120-277 V	120-277 V	120-277 V

LED System data above based on WPCS-44WLED-UNIV-40 and WPCS-44WLED-UNIV-50
LED Lumen maintenance estimates based on TM-21 projections for the light source at 25°C ambient.

ORDERING GUIDE:

Series	Watts	Driver	Color	Optics	Options
WPCS Full Cutoff Wall Pack	44WLED	UNIV 120-277V Driver	50	T2	WPC15WG Wire Guard, SS Construction
			40	T3	PC Photocell Universal Voltage (120-277V)
			30	T4	SMLxxxx Specified Max Lumen Output (xxxx=lumen output)
					FSIR/100 Remote Configuration Tool (WLOS, USBD, BDxx & BDxxPC)
					FI/ILBCP05 5W LED Factory Installed Battery Backup
					FUSE/SXXX* Single-line Voltage Fuse (120, 277)
					FUSE/DXXX* Dual-line Voltage Fuse (208, 240)
					SP1** 10kA Max Univolt Surge Protector
					SP2** 22kA Max Univolt Surge Protector

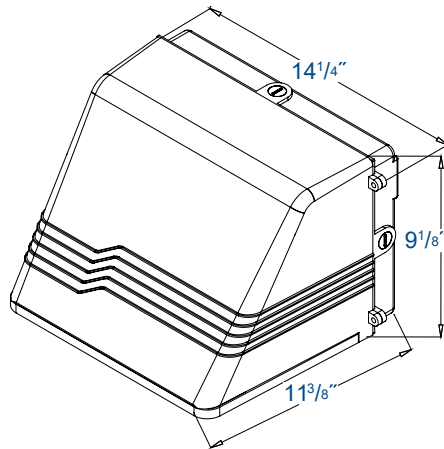
* Excludes 347V/480V

** SP1/SP2 specified in combination w/ battery backup/dual driver separate surge units are required per electrical line

FULL CUTOFF WALL PACK - 44W LED

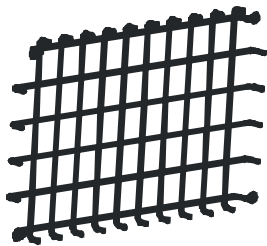
OUTDOOR

LINE DRAWING

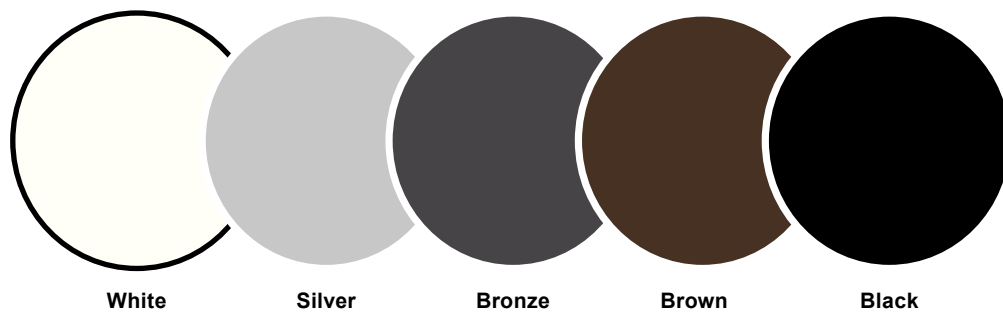


SECURITY OPTIONS

- WPC15WG - Wire Guard, SS Construction



FACTORY SELECT COLOR GUIDE



COLOR NAME AND DESCRIPTION	SHEEN	PRODUCT	VENDOR	PRICING
WHT - ILP White	SEMI GLOSS	POLANE T	SHERWIN-WILLIAMS	Contact Factory for Pricing
SLV - ILP Silver - Ultrasonic Chrome	GLOSS	POLANE T	SHERWIN-WILLIAMS	Contact Factory for Pricing
BRZ - ILP Bronze - std. & in stock	SEMI GLOSS	POLANE T	SHERWIN-WILLIAMS	Standard
BRN - ILP Brown	SEMI GLOSS	POLANE T	SHERWIN-WILLIAMS	Contact Factory for Pricing
BLK - ILP Black	SEMI GLOSS	POLANE T	SHERWIN-WILLIAMS	Contact Factory for Pricing

**COLORS SHOWN ABOVE ARE TO BE USED AS REFERENCE, NOT EXACT MATCH.
PLEASE REQUEST PAINT CHIPS FOR EXACT MATCH.**

FULL CUTOFF WALL PACK - 44W LED

OUTDOOR

PHOTOMETRIC REPORTS

WPCS-44WLED-UNIV-40-T2

SUMMARY DATA

HEMISPHERES TESTED:	BOTH
EFFICIENCY (Downlight/Uplight):	100.0 % / 0.0 %
EFFICIENCY (Street/House):	66.1 % / 33.9 %
ROADWAY CLASSIFICATION:	TYPE II, SHORT
CUTOFF CLASSIFICATION:	NONCUTOFF
LUMENS:	4,883.41
INPUT WATTS:	43.3

CANDELA PLOT

Max plane at H = 75 Max cone at V = 65
 MAX CANDLEPOWER: 4936.1

Photometric values based upon tests performed in compliance w/ LM-79.
 Download IES files at www.ilp-inc.com

WPCS-44WLED-UNIV-40-T3

SUMMARY DATA

HEMISPHERES TESTED:	BOTH
EFFICIENCY (Downlight/Uplight):	100.0 % / 0.0 %
EFFICIENCY (Street/House):	75.4 % / 24.6 %
ROADWAY CLASSIFICATION:	TYPE III, SHORT
CUTOFF CLASSIFICATION:	CUTOFF
LUMENS:	4,541.77
INPUT WATTS:	43.58

CANDELA PLOT

Max plane at H = 60 Max cone at V = 62.5
 MAX CANDLEPOWER: 3874.4

Photometric values based upon tests performed in compliance w/ LM-79.
 Download IES files at www.ilp-inc.com

WPCS-44WLED-UNIV-40-T4

SUMMARY DATA

HEMISPHERES TESTED:	BOTH
EFFICIENCY (Downlight/Uplight):	100.0 % / 0.0 %
EFFICIENCY (Street/House):	77.6 % / 22.4 %
ROADWAY CLASSIFICATION:	TYPE IV, SHORT
CUTOFF CLASSIFICATION:	NONCUTOFF
LUMENS:	4,383.33
INPUT WATTS:	43.54

CANDELA PLOT

Max plane at H = 45 Max cone at V = 70
 MAX CANDLEPOWER: 2382.3

Photometric values based upon tests performed in compliance w/ LM-79.
 Download IES files at www.ilp-inc.com