

Project Name:

Part Number:

Type:

**RB3**

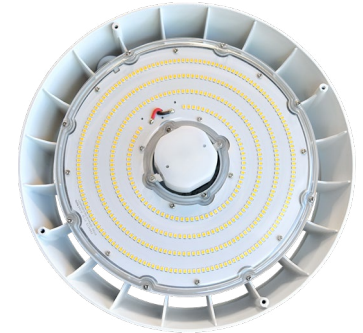
## ROUND HIGH BAY

### FEATURES

- IP65 Rated & NSF Listed Round High Bay
- 13,000 - 31,000 Lumens
- Powder coated cold-forged aluminum housing
- Remote controlled center mounted sensor option
- IK10 impact rated primary polycarbonate lens
  - Clear (std.)
  - Frosted (optional)
- Optional Diffusers
  - 16" & 22" Frosted Acrylic
  - 14" Aluminum Reflector
- 6ft Cord (std.)
- 12" Safety Cable Provided (std.)
- Mounting Options
  - Cable
  - Hook (std.)
  - Pendant (1/2" threaded hub std.)
  - Surface Mount
- Damp & Wet Location 347/480V & Emergency Options
- 120-277V Universal Voltage
- 0-10V Dimmable Driver (100% - 10%)
- 4000K & 5000K CCT
- >80 Color Rendering Index (CRI)
- Calculated L70 >100,000 hrs
- Ambient Temperature Range -40°F-122°F
- 5 Year Warranty (std); 10 Year Warranty Optional
- UL Listed for Damp and Wet Locations
- DesignLights Consortium® Premium Qualified Luminaire



Shown as 25L-31L with AD22



Shown with Sensor (S) option



407-478-3759  
www.ilp-inc.com



### SUITABLE APPLICATIONS

- Food Processing
- Warehouses
- Distribution Centers
- Wet Locations
- Gymnasiums
- Manufacturing Plants

### ORDERING GUIDE:

| SERIES         | LUMENS     | DRIVER            | CCT       | PRIMARY LENS                         | DIFFUSERS  | WARRANTY                          |
|----------------|------------|-------------------|-----------|--------------------------------------|--|-----------------------------------|
| <b>RB3</b>     | <b>13L</b> | <b>U</b> 120-277V | <b>50</b> | <b>BLANK</b> Clear Lens (included)   | <b>BLANK</b> No Reflector/Diffuser (std.)                | <b>BLANK</b> 5 Year               |
| Round High Bay | <b>19L</b> |                   | <b>40</b> | <b>FRL</b> <sup>1</sup> Frosted Lens | <b>AD16</b> <sup>1,11</sup> 16" Frosted Acrylic Diffuser | <b>10YR</b> <sup>21</sup> 10 Year |
|                | <b>25L</b> |                   |           |                                      | <b>AD22</b> <sup>1,11</sup> 22" Frosted Acrylic Diffuser |                                   |
|                | <b>31L</b> |                   |           |                                      | <b>REFL90</b> <sup>1,11</sup> 90° Aluminum Reflector     |                                   |

#### FACTORY INSTALLED OPTIONS

|  |   |
|--|---|
| <b>CORD/6FT/L7-15P</b> <sup>15</sup>       | 6ft Factory Installed Cord with L7-15 Plug    |
| <b>CORD/10FT</b> <sup>2,15</sup>           | 10ft Factory Installed Cord without plug      |
| <b>CORD/10FT/L7-15P</b> <sup>2,15</sup>    | 10ft Factory Installed Cord with L7-15 Plug   |
| <b>FMB-RB3</b> <sup>3,14,20</sup>          | Fixture Mounting Box                          |
| <b>LEDBB/D</b> <sup>15,18</sup>            | 25W Battery Backup for Damp Locations         |
| <b>LEDBB/W</b> <sup>4,19</sup>             | 25W Battery Backup for Wet Locations          |
| <b>SD347/D</b> <sup>1,12,13,15,18,20</sup> | 347V Step Down Transformer for Damp Locations |
| <b>SD480/D</b> <sup>1,12,13,15,18,20</sup> | 480V Step Down Transformer for Damp Locations |
| <b>SD347/W</b> <sup>1,4,12,13,19,20</sup>  | 347V Step Down Transformer for Wet Locations  |
| <b>SD480/W</b> <sup>1,4,12,13,19,20</sup>  | 480V Step Down Transformer for Wet Locations  |

#### SHIP WITH ACCESSORIES

|                                |                                    |
|--------------------------------|------------------------------------|
| <b>WC16</b> <sup>1,5,16</sup>  | 16" Wire Cage                      |
| <b>WC22</b> <sup>1,6,17</sup>  | 22" Wire Cage                      |
| <b>CL16</b> <sup>1,5,16</sup>  | 16" Frosted Conical Bottom Lens    |
| <b>CL22</b> <sup>1,6,17</sup>  | 22" Frosted Conical Bottom Lens    |
| <b>HB5</b>                     | 5ft Aircraft Cable Suspension Kit  |
| <b>HB10</b>                    | 10ft Aircraft Cable Suspension Kit |
| <b>HUB 3/4</b> <sup>7,20</sup> | 3/4" Conduit Hub                   |
| <b>RED 3/4</b> <sup>20</sup>   | 3/4" Conduit Reducer               |
| <b>SMB</b> <sup>4</sup>        | Surface Mount Bracket              |
| <b>S/RC</b> <sup>8</sup>       | Sensor Remote Control              |

#### CONTROL OPTION

|                          |   |
|--------------------------|---|
| <b>S</b> <sup>9,10</sup> | Factory Installed Center Mounted Sensor |
|--------------------------|---|

<sup>1</sup> Only available with RB3-13L & 19L<sup>2</sup> Shipped with cord installed on Fixture Mounting Box<sup>3</sup> Requires HUB or HOOK for mounting<sup>4</sup> Option maintains IP65 Rating and NSF Listing<sup>5</sup> Must be used with AD16<sup>6</sup> Must be used with AD22<sup>7</sup> Requires Fixture Mounting Box<sup>8</sup> One required per project when selecting (S) Sensor option<sup>9</sup> Standard Sensor Operations: On/Off, Bi-Level Dimming & Photocell<sup>10</sup> Requires Sensor Remote Control (S/RC) to program sensor<sup>11</sup> Ship with Accessory<sup>12</sup> Does not qualify for DLC<sup>13</sup> Cannot be used with LEDBB/D option<sup>14</sup> Must use Fixture Mounting Box if<sup>15</sup> mounting by standard 1/2" conduit hub<sup>16</sup> Does not maintain IP Rating<sup>16</sup> CL16 & WC16 cannot be used together<sup>17</sup> CL22 & WC22 cannot be used together<sup>18</sup> Must be used w/ FMB if pendant mounting<sup>19</sup> Must be used w/ SMB or hook mounting<sup>20</sup> Cannot be used with LEDBB/W option<sup>21</sup> Contact Factory for more details



# ROUND HIGH BAY



## QUICK SHIP ITEMS:

| SERIES             | LUMENS                   | DRIVER     | CCT      | PRIMARY LENS                |
|--------------------|--------------------------|------------|----------|-----------------------------|
| RB3 Round High Bay | 13L<br>19L<br>25L<br>31L | U 120-277V | 50<br>40 | BLANK Clear Lens (included) |

| SHIP WITH DIFFUSERS         |                              | SHIP WITH ACCESSORIES   |                                    |
|-----------------------------|------------------------------|-------------------------|------------------------------------|
| <b>BLANK</b>                | No Reflector/Diffuser (std.) | <b>WC16<sup>5</sup></b> | 16" Wire Cage                      |
| <b>AD16<sup>1, 11</sup></b> | 16" Frosted Acrylic Diffuser | <b>WC22<sup>6</sup></b> | 22" Wire Cage                      |
| <b>AD22<sup>11</sup></b>    | 22" Frosted Acrylic Diffuser | <b>CL16<sup>5</sup></b> | 16" Frosted Conical Bottom Lens    |
| <b>REFL90<sup>11</sup></b>  | 90° 14" Aluminum Reflector   | <b>CL22<sup>6</sup></b> | 22" Frosted Conical Bottom Lens    |
|                             |                              | <b>HB5</b>              | 5ft Aircraft Cable Suspension Kit  |
|                             |                              | <b>HB10</b>             | 10ft Aircraft Cable Suspension Kit |

Please reference Page 1 Ordering Guide for all footnote information

## LED SYSTEMS INFO

| CLEAR LENS   | LUMENS    | WATTS | EFFICACY | REPLACES     | DLC     |
|--------------|-----------|-------|----------|--------------|---------|
| RB3-13L-U-50 | 13,376 lm | 98 W  | 136 lm/W | 250W HID     | Premium |
| RB3-19L-U-50 | 19,886 lm | 147 W | 135 lm/W | 400W HID     | Premium |
| RB3-25L-U-50 | 26,130 lm | 193 W | 135 lm/W | 400W HID     | Premium |
| RB3-31L-U-50 | 30,162 lm | 224 W | 134 lm/W | 400-600W HID | Premium |

LED System data above was tested at 277V on RB3-13L-U-50, RB3-19L-U-50, RB3-25L-U-50 & RB3-31L-U-50.

| FROSTED LENS     | LUMENS    | WATTS | EFFICACY | REPLACES     | DLC      |
|------------------|-----------|-------|----------|--------------|----------|
| RB3-13L-U-50-FRL | 11,330 lm | 99 W  | 115 lm/W | 250W HID     | Standard |
| RB3-19L-U-50-FRL | 16,534 lm | 150 W | 111 lm/W | 400W HID     | Standard |
| RB3-25L-U-50-FRL | 22,005 lm | 198 W | 111 lm/W | 400W HID     | Standard |
| RB3-31L-U-50-FRL | 26,541 lm | 237 W | 112 lm/W | 400-600W HID | Standard |

LED System data above was tested at 277V on RB3-13L-U-50-FRL, RB3-19L-U-50-FRL, RB3-25L-U-50-FRL & RB3-31L-U-50-FRL.

| CLEAR LENS W/ DIFFUSER | LUMENS    | WATTS | EFFICACY | REPLACES     | DLC      |
|------------------------|-----------|-------|----------|--------------|----------|
| RB3-13L-U-50-AD16      | 12,450 lm | 98 W  | 127 lm/W | 250W HID     | Standard |
| RB3-19L-U-50-AD16      | 18,211 lm | 148 W | 123 lm/W | 400W HID     | Standard |
| RB3-13L-U-50-AD22      | 12,531 lm | 98 W  | 128 lm/W | 250W HID     | Standard |
| RB3-19L-U-50-AD22      | 18,514 lm | 148 W | 125 lm/W | 400W HID     | Standard |
| RB3-25L-U-50-AD22      | 24,911 lm | 196 W | 127 lm/W | 400W HID     | Standard |
| RB3-31L-U-50-AD22      | 29,520 lm | 231 W | 128 lm/W | 400-600W HID | Standard |
| RB3-13L-U-50-REFL90    | 11,046 lm | 98 W  | 113 lm/W | 250W HID     | N/A      |
| RB3-19L-U-50-REFL90    | 15,947 lm | 148 W | 108 lm/W | 400W HID     | N/A      |
| RB3-25L-U-50-REFL90    | 22,415 lm | 196 W | 114 lm/W | 400W HID     | N/A      |
| RB3-31L-U-50-REFL90    | 26,609 lm | 231 W | 115 lm/W | 400-600W HID | N/A      |

LED System data above was tested on RB3-13L-U-50-AD16, RB3-19L-U-50-AD16, RB3-25L-U-50-AD16, RB3-31L-U-50-AD16, RB3-13L-U-50-AD22, RB3-19L-U-50-AD22, RB3-25L-U-50-AD22, RB3-31L-U-50-AD22, RB3-13L-U-50-REFL90, RB3-19L-U-50-REFL90, RB3-25L-U-50-REFL90 & RB3-31L-U-50-REFL90.

| FROSTED LENS W/ DIFFUSER | LUMENS    | WATTS | EFFICACY | REPLACES     | DLC |
|--------------------------|-----------|-------|----------|--------------|-----|
| RB3-13L-U-50-FRL-AD16    | 10,996 lm | 98 W  | 112 lm/W | 250W HID     | N/A |
| RB3-19L-U-50-FRL-AD16    | 15,943 lm | 148 W | 107 lm/W | 400W HID     | N/A |
| RB3-13L-U-50-FRL-AD22    | 11,057 lm | 98 W  | 113 lm/W | 250W HID     | N/A |
| RB3-19L-U-50-FRL-AD22    | 16,045 lm | 148 W | 108 lm/W | 400W HID     | N/A |
| RB3-25L-U-50-FRL-AD22    | 21,930 lm | 196 W | 112 lm/W | 400W HID     | N/A |
| RB3-31L-U-50-FRL-AD22    | 25,969 lm | 230 W | 113 lm/W | 400-600W HID | N/A |
| RB3-13L-U-50-FRL-REFL90  | 9,705 lm  | 98 W  | 99 lm/W  | 250W HID     | N/A |
| RB3-19L-U-50-FRL-REFL90  | 13,862 lm | 148 W | 93 lm/W  | 400W HID     | N/A |
| RB3-25L-U-50-FRL-REFL90  | 19,655 lm | 196 W | 100 lm/W | 400W HID     | N/A |
| RB3-31L-U-50-FRL-REFL90  | 23,623 lm | 231 W | 102 lm/W | 400-600W HID | N/A |

LED System data above was tested at 277V on RB3-13L-U-50-AD16, RB3-19L-U-50-FRL-AD16, RB3-25L-U-50-FRL-AD16, RB3-31L-U-50-FRL-AD16, RB3-13L-U-50-FRL-AD22, RB3-19L-U-50-FRL-AD22, RB3-25L-U-50-FRL-AD22, RB3-31L-U-50-FRL-AD22, RB3-13L-U-50-FRL-REFL90, RB3-19L-U-50-FRL-REFL90, RB3-25L-U-50-FRL-REFL90 & RB3-31L-U-50-FRL-REFL90.

| Lumen Output CCT Multiplier  |                       |
|--|-----------------------|
| CCT  | Conversion Multiplier |
| 4000K  | 0.98                  |
| To Calculate:<br>Lumen output in 5000K x CCT Conversion Multiplier = Lumen Output in Alternate CCT's |                       |

# ROUND HIGH BAY

## SPECIFICATIONS

### CONSTRUCTION

Powder coated cold forged aluminum housing provides maximum rigidity and durability for the toughest of applications. Built-in cooling fins for maximum heat dissipation and high ambient temperatures. Standard 1/2" threaded hub for pendant mounting.

### ELECTRICAL

High Performance LED light engine for high efficacy & long life. L70 > 100,000 hrs. LED Lumen Maintenance Estimates based on TM-21 projections for the light source at 25°C ambient. Power Factor > 0.90. Standard 120-277 Vac 0-10V dimmable (10%-100%) with optional 347-480 Vac step down transformer. 4kV built in surge protection. 6ft power cord and 6ft cord with dimming leads included. Optional emergency battery backups available to meet critical life safety lighting requirements.

### MOUNTING

Options include suspension aircraft cables, hook (std), single pendant, and surface mount (SMB).

### WARRANTY

5 Year Warranty Standard; 10 Year Warranty Optional ([Terms and Conditions apply](#)).

### OPTICS

Standard with IK10 impact rated primary clear polycarbonate lens. Optional IK10 impact rated primary frosted polycarbonate lens available for added LED glare reduction. Optional 16" & 22" frosted acrylic diffusers & 14" 90° aluminum reflector available. 16" & 22" frosted conical bottom lens options for added diffusion.

### THERMAL

Ambient temperature range -40°F to 122°F (-40°C to 50°C).

### CONTROLS

Optional center mounted sensor. Provides clean appearance and ensures a balanced fixture. Remote control programmed (S/R/C). Sensor operations include: On/Off, Bi-Level Dimming and Photocell.

### CERTIFICATIONS

UL listed to US & Canadian safety standards. IP65 rated for wet locations. NSF listed for food processing environments. DLC (DesignLights Consortium) Premium Qualified, with some Standard Qualified configurations. Please refer to the DLC Qualified Products List at [www.designlights.org/QPL](http://www.designlights.org/QPL) to confirm specific product qualifications.

## CONTROLS OPTIONS

### SENSOR



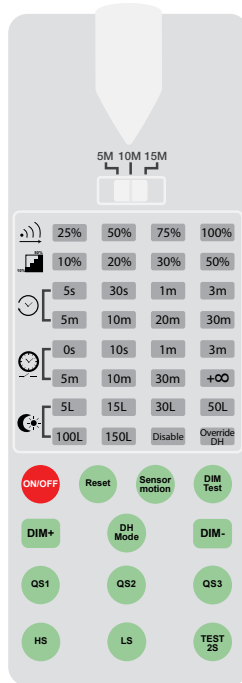
**S** Factory installed center mounted sensor. Standard sensor operations include: on/off, bi-level dimming and photocell. Requires sensor remote control (S/R/C), shown below, to program sensor.

| Pre-set Program     |           |
|---------------------|-----------|
| Detection Area:     | 100%      |
| Hold Time:          | 5 Seconds |
| Stand-by Period:    | 0 Seconds |
| Stand-by Dim Level: | 10%       |
| Daylight Sensor:    | Disabled  |

| Button | Remarks |
|--------|---------|
|--------|---------|

- Daylight Sensor**  
Set daylight threshold  
5Lux/15Lux/30Lux/50Lux/100Lux/150Lux/Disable
- Stand-by Period**  
Length of time fixture is held at dimmed level before turning off. If set to 'infinite', fixture will operate in high-low operation and not turn off.  
0s/30s/1min/3min/5min/10min/20min/30min/∞
- Hold Time**  
Length of time fixture will stay at maximum light level from when motion is detected. 5s/30s/1min/3min/5min/10min/20min/30min
- Stand-by Dim Level**  
Set low mode when no motion in the area  
10% / 20% / 30% / 50%
- Detection Area**  
Set detection area  
25% / 50% / 75% / 100%

- Remote Distance**  
Set distance between remote and sensor.  
5m, 10m, 15m



### S/R/C

Sensor Remote Control. One needed per project when selecting Sensor (S) option.

| Button | Remarks |
|--------|---------|
|--------|---------|

- Turns fixture 'ON/OFF'
- Brings the sensor back to pre-programmed factory settings
- Sensor moves from 'ON/OFF' operation to setting selected by field user
- Confirms 1-10V dimming is properly set up. Hold button down to dim fixture. Dims back up to full output after 3 seconds.
- Not Applicable
- Not Applicable
- Pre-set 'Quick Selections'

| Scene Options | Detection Area | Hold Time | Stand-by Period | Stand-by Dim Level | Daylight Sensor | Sensitivity |
|---------------|----------------|-----------|-----------------|--------------------|-----------------|-------------|
| QS1           | 100%           | 30 Sec    | 1 Min           | 10%                | 5Lux            | Hs          |
| QS2           | 100%           | 1 Min     | 3 Min           | 10%                | 10Lux           | Hs          |
| QS3           | 100%           | 5 Min     | 10 Min          | 10%                | 30Lux           | Hs          |

- Places fixture to test mode. This function is for testing only. Press 'RESET' to revert to pre-set program.
- Settings:**
  - Detection Area: 100%
  - Hold Time: 2 seconds
  - Stand-by Dim Level: 10%
  - Daylight Sensor: Disabled

- Adjustment based on 'Detection Area' parameter selected by field user.  
HS = High Sensitivity to motion  
LS = Low Sensitivity to motion

### OPTIONS



**AD16**

16" Frosted Acrylic Diffuser. Only available for RB3-13L & RB3-19L. Ship with accessory.



**AD22**

22" Frosted Acrylic Diffuser. Ship with accessory.



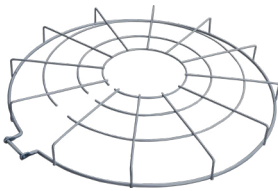
**REFL90**

90° Aluminum Reflector. RB3-13L & 19L=14", RB3-25L & 31L=18" Ship with accessory.



**CL**

16" or 22" Frosted Conical Bottom Lens. Must be used with AD16 / AD22 option. Ship with accessory.



**WC16 / WC22**

16" or 22" Wire Cage. Must be used with AD16 / AD22 option. Ship with accessory.



**SD347/D / SD480/D / LEDBB/D**

347V / 480V Step Down Transformer & 25W Battery Backup options for Damp Locations.



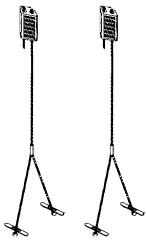
**SD347/W / SD480/W / LEDBB/W**

347V / 480V Step Down Transformer & 25W Battery Backup options for Wet Locations. Fixture remains IP65 rated & NSF listed.



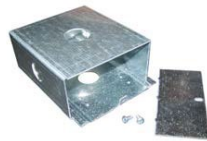
**CORDx**

Cords available in 6ft, 10ft & 12ft (Inquire for additional options). 6ft white cord included.



**HB5 / HB10**

5ft or 10ft Aircraft Cable Suspension Kit. Ship with accessory.



**FMB**

Includes rigid box to attach to the fixture, provides for single point mounting to accept a 3/4" conduit hub (sold separately).



**HUB 3/4 CONDUIT**

Conduit Hub 3/4" for Pendant Mounting (requires FMB). Ship with accessory.



**RED 3/4**

3/4" Conduit reducer for pendant mounting. Adapter reducing incoming 3/4" conduit to 1/2" threaded driver cover.



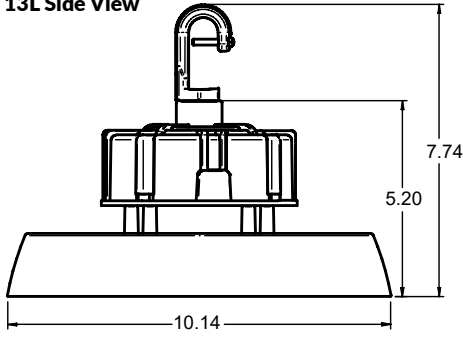
**SMB**

Surface Mount Bracket. Ship with accessory.

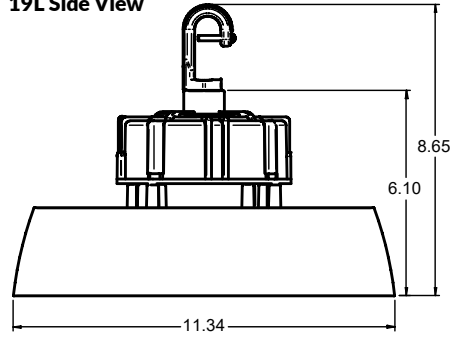
**ROUND HIGH BAY**

**LINE DRAWINGS**

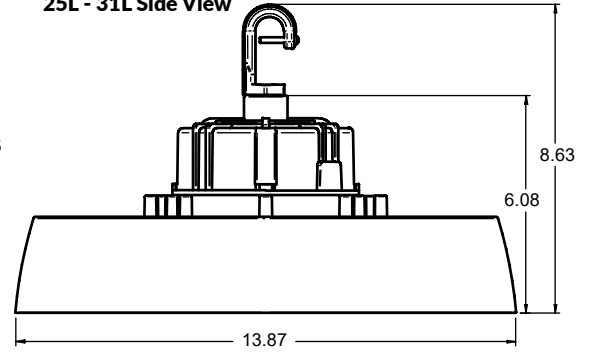
**13L Side View**



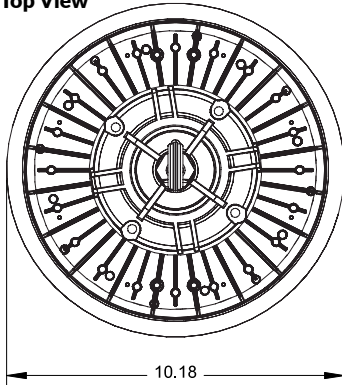
**19L Side View**



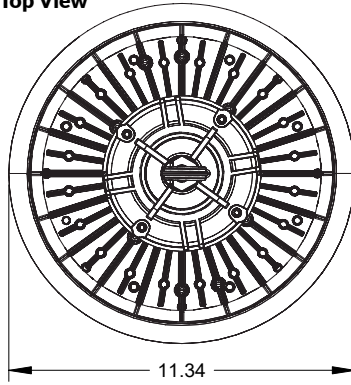
**25L - 31L Side View**



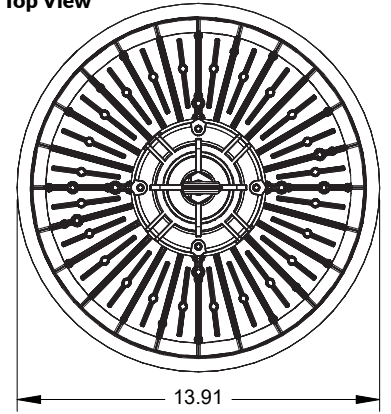
**13L Top View**



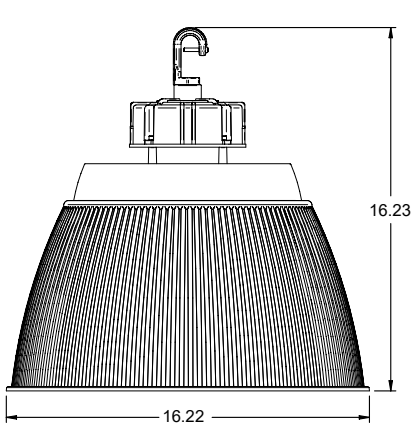
**19L Top View**



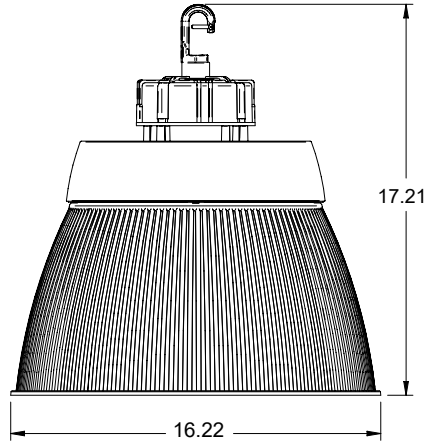
**25L - 31L Top View**



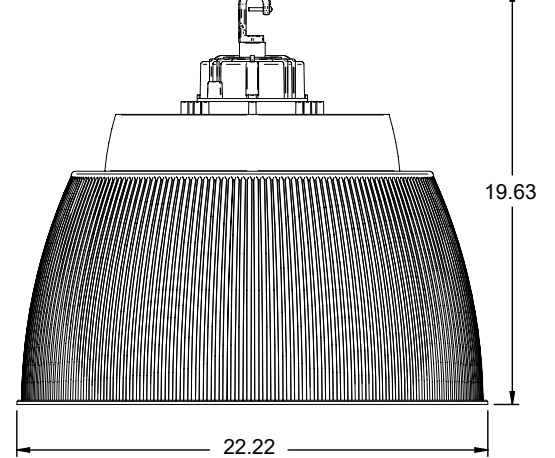
**13L with AD16**



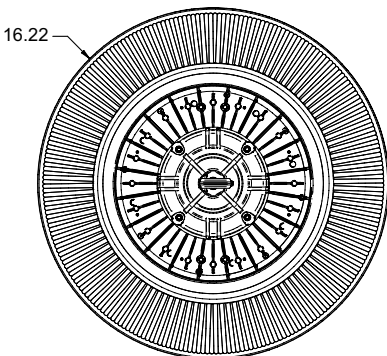
**19L with AD16**



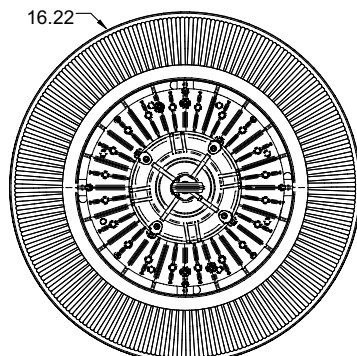
**25L - 31L with AD22**



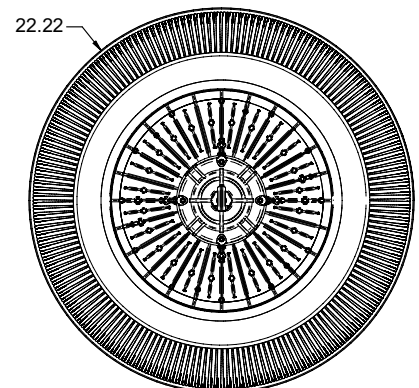
**13L Top View with AD16**



**19L Top View with AD16**



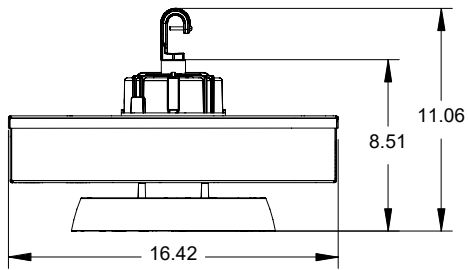
**25L - 31L Top View with AD22**



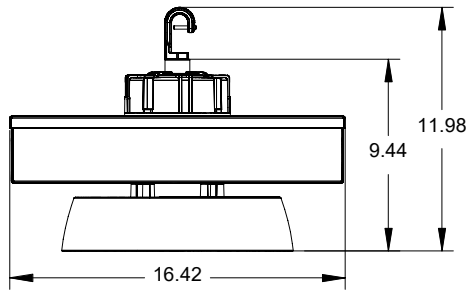


**LINE DRAWINGS**

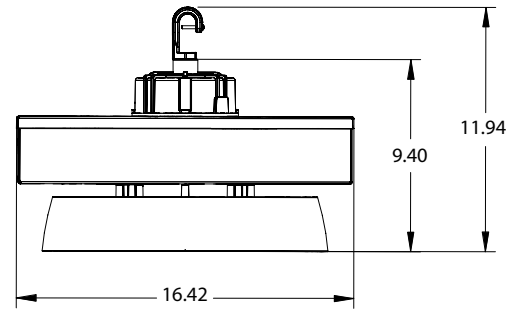
**13L with LEDBB / SD347 / SD480**



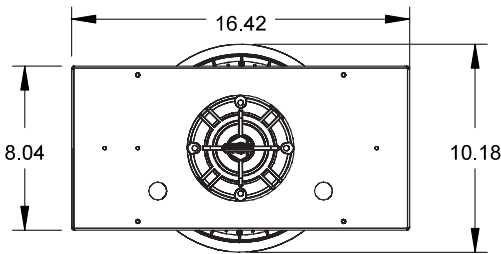
**19L with LEDBB / SD347 / SD480**



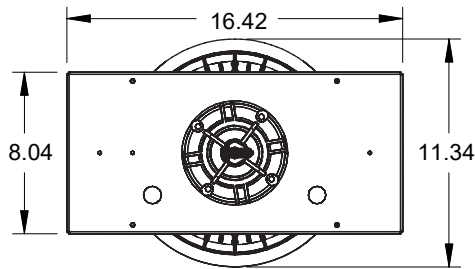
**25L & 31L with LEDBB / SD347 / SD480**



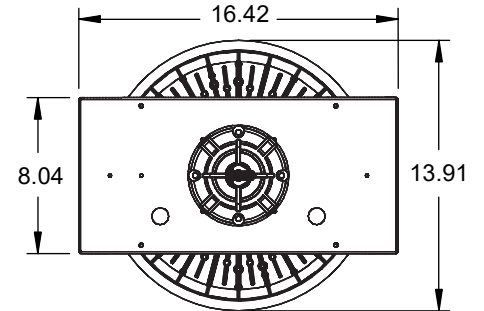
**13L Top View with LEDBB / SD347 / SD480**



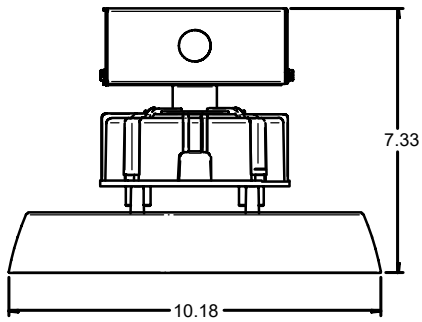
**19L Top View with LEDBB / SD347 / SD480**



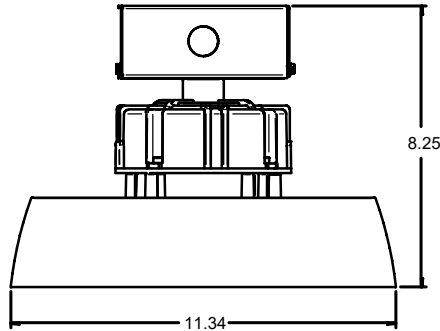
**25L & 31L Top View with LEDBB / SD347 / SD480**



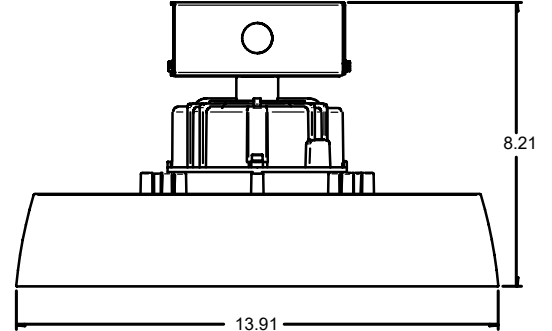
**13L with FMB**



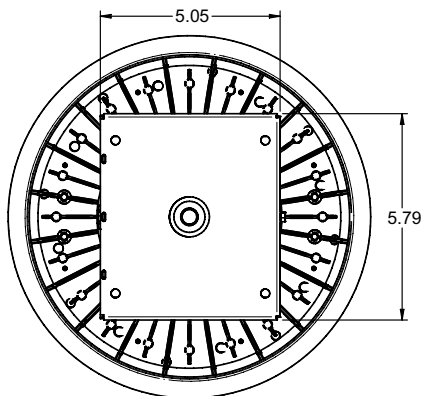
**19L with FMB**



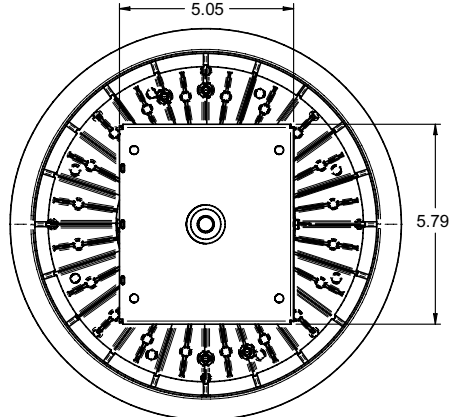
**25L - 31L with FMB**



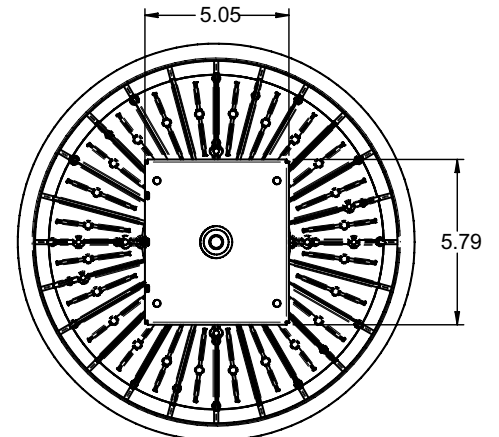
**13L with FMB Top View**



**19L with FMB Top View**



**25L - 31L with FMB Top View**

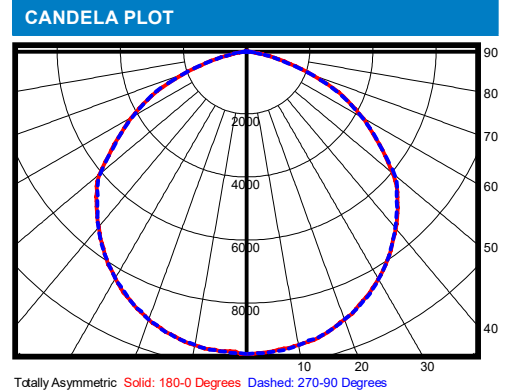


## ROUND HIGH BAY

### PHOTOMETRIC DATA

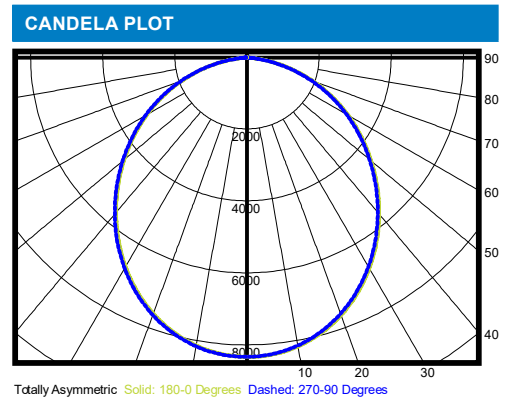
| LUMINAIRE DATA      |   |
|---------------------|---|
| Part Number         | RB3-25L-U-50  |
| Description         | RB3, 27000lm, clear polycarbonate lens, wide distribution |
| Fixture Lumens (lm) | 26,130 lm   |
| Wattage (W)         | 193 W   |
| Efficacy (lm/W)     | 135 lm/W  |
| Mounting            | Recessed  |
| Spacing Criteria    | 0° = 1.3, 90° = 1.3                                       |

| ZONAL LUMEN SUMMARY |             |           |
|---------------------|-------------|-----------|
| Zone                | Lumens (lm) | % Fixture |
| 0° - 40°            | 12,066      | 46%       |
| 0° - 60°            | 21,572      | 83%       |
| 0° - 90°            | 26,039      | 100%      |
| 90° - 180°          | 91          | 0%        |
| 0° - 180°           | 26,130      | 100%      |



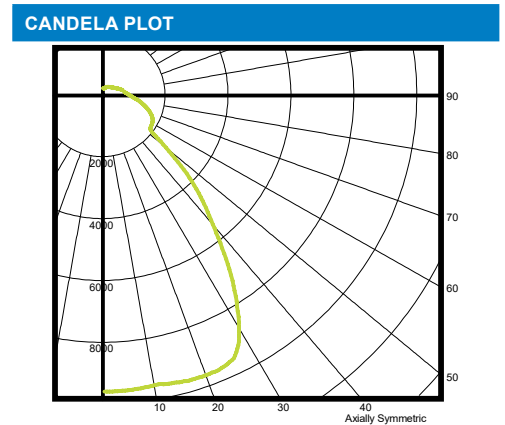
| LUMINAIRE DATA      |  |
|---------------------|--|
| Part Number         | RB3-25L-U-50-FRL   |
| Description         | RB3, 22000lm, with frosted acrylic lens, wide distribution |
| Fixture Lumens (lm) | 22,005 lm  |
| Wattage (W)         | 197 W  |
| Efficacy (lm/W)     | 111 lm/W   |
| Mounting            | Recessed   |
| Spacing Criteria    | 0° = 1.2, 90° = 1.2  |

| ZONAL LUMEN SUMMARY |             |           |
|---------------------|-------------|-----------|
| Zone                | Lumens (lm) | % Fixture |
| 0° - 40°            | 10,275      | 47%       |
| 0° - 60°            | 17,690      | 80%       |
| 0° - 90°            | 21,946      | 100%      |
| 90° - 180°          | 58          | 0%        |
| 0° - 180°           | 22,004      | 100%      |



| LUMINAIRE DATA      |  |
|---------------------|--|
| Part Number         | RB3-25L-U-50-AD22  |
| Description         | RB3, 24000lm, w/ clear polycarbonate lens & 22" acrylic diffuser |
| Fixture Lumens (lm) | 24,911 lm  |
| Wattage (W)         | 196 W  |
| Efficacy (lm/W)     | 127 lm/W   |
| Mounting            | Recessed   |
| Spacing Criteria    | 0° = 1.3, 90° = 1.3  |

| ZONAL LUMEN SUMMARY |             |           |
|---------------------|-------------|-----------|
| Zone                | Lumens (lm) | % Fixture |
| 0° - 40°            | 12,425      | 50%       |
| 0° - 60°            | 17,378      | 70%       |
| 0° - 90°            | 21,744      | 87%       |
| 90° - 180°          | 3,167       | 13%       |
| 0° - 180°           | 24,911      | 100%      |



| LUMINAIRE DATA      |  |
|---------------------|--|
| Part Number         | RB3-25L-U-50-FRL-AD22  |
| Description         | RB3, 21000lm, w/ frosted acrylic lens & 22" acrylic diffuser |
| Fixture Lumens (lm) | 21,930 lm  |
| Wattage (W)         | 196 W  |
| Efficacy (lm/W)     | 112 lm/W   |
| Mounting            | Recessed   |
| Spacing Criteria    | 0° = 1.2, 90° = 1.2  |

| ZONAL LUMEN SUMMARY |             |           |
|---------------------|-------------|-----------|
| Zone                | Lumens (lm) | % Fixture |
| 0° - 40°            | 11,143      | 51%       |
| 0° - 60°            | 15,347      | 70%       |
| 0° - 90°            | 19,129      | 87%       |
| 90° - 180°          | 2,800       | 13%       |
| 0° - 180°           | 21,930      | 100%      |

