



ILP

INDOOR



TABLE OF CONTENTS

EASYSENSE

- 3-5 EASYSENSE CONTROL

HIGH BAYS

- 6 ENDEAVOUR
- 7 PREMIUM HIGH BAY
- 8 PREMIUM HIGH BAY TENNIS COURT
- 9 HIMALAYAN HIGH BAY
- 10 ROUND HIGH BAY
- 11 LOW BAY
- 12 GRID HIGH BAY

VAPOR TIGHTS / VAPOR TIGHT KITS

- 13 BLIZZARD HIGH BAY
- 14 BLIZZARD HIGH BAY RETROFIT KIT
- 15 AMAZON Z SERIES VAPOR TIGHT
- 16 VAPOR TIGHT RETROFIT KIT
- 17 AMAZON X SERIES VAPOR TIGHT

TROFFERS

- 18 VOLA 1X4 - AMERICAN MADE
VOLUMETRIC TROFFER (ENHANCED)
- 19 VOLA 2X2 - AMERICAN MADE
VOLUMETRIC TROFFER (ENHANCED)
- 20 VOLA 2X4 - AMERICAN MADE
VOLUMETRIC TROFFER (ENHANCED)
- 21 FLAT PANEL
- 22 VOLUMETRIC TROFFER
- 23 FLAT LENS TROFFER

TROFFER KITS

- 24 RTR - TROFFER RETROFIT KIT
- 25 BIF - BUILT IN FRAME
- 26 LANCE 1X4 - LATCH & CLOSE (ENHANCED)
- 27 LANCE 2X2 - LATCH & CLOSE (ENHANCED)
- 28 LANCE 2X4 - LATCH & CLOSE (ENHANCED)
- 29 TURBO LANCE
- 30 VALUE LANCE
- 31 FLAT LENS TROFFER RETROFIT

STRIPS / STRIP KITS

- 32 Z SERIES LOW PROFILE STRIP
- 33 Z SERIES LOW PROFILE STRIP RETROFIT KIT
- 34 SLIM STRIP
- 35 VALUE STRIP
- 36 X SERIES STRIP
- 37 X SERIES STRIP RETROFIT KIT

WRAPS

- 38 CURVED WRAP
- 39 CURVED WIDE BASE WRAP
- 40 FNW WRAP
- 41 FWW WRAP

STAIRWELL

- 42 CAVERN & CAVERN LITE

TLED PRODUCTS

FIXTURES

- 43 FNW/FWW
- 44 FST

KITS

- 45 RSB
- 46 RST
- 47 RTB
- 48 RTR





CONTROLS MADE EASY

Ideal wireless solution for dramatically improving energy savings in commercial, educational, retail & office environments—in addition to warehouses, gymnasiums, distribution centers & industrial applications. The combination occupancy & daylight harvesting sensor is controlled via cell phone App enabling the user to easily create groups, setup zones, adjust maximum light output, hold time after motion detection, background light levels, prolonged time at background light levels, fade time between occupied & background light levels, & adjust ECO light levels. There is no commissioning, annual maintenance plan purchases, or scheduled technician visits required. Simply order the desired fixture with this feature pre-installed, download the App, & start taking control of your lighting environment today!

FEATURES / BENEFITS

Compact Occupancy / Daylight Harvesting in One Device

- Create Groups & Setup Zones
 - Control up to 40 Sensors per Group
- Enabled App Allows You Complete Control Over:
 - Turning On/Off Occupancy and/or Daylight Functions
 - Setting Maximum Lumen Output (100%-5%)
 - Eco On Level (100%-5%)
 - Hold Time Once Motion is Detected (1-120 minutes)
 - Background Light Level When Space is Unoccupied (100%-5%)
 - Length of Time Dimming From On to Background (0-25 Sec.)
 - Prolong Amount of Time Background Level Lasts. (0-∞ minutes)
- Time to On/Off Light Levels at 0.7 Seconds
- Easily Controlled via IR Enabled Android Smart Phone
- Control up to (4) Fixtures per One Control
- Wireless/Battery-less Wall Switch Available (ES/WWS)
- Saved Program Profiles Allows for Easy Commissioning of Multiple Zones
- Max Sensor Communication Range: ES-up to 10ft, ES/HB-up to 50ft
- IR Blaster used for Ease of Commissioning, up to 50ft Mounting Height (ES/HB)

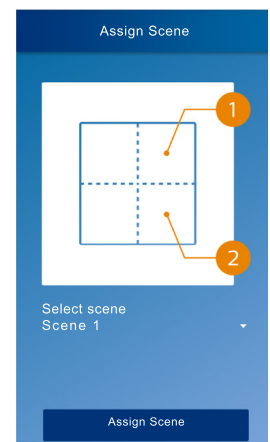
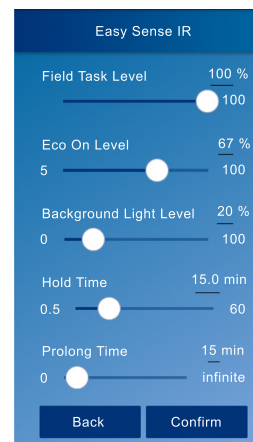
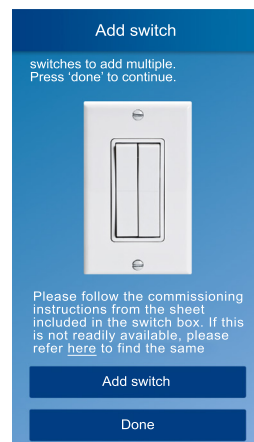
COMPATIBLE CELL PHONES:

- LG G3
- LG G Vista
- LG G4
- Samsung S5
- Samsung S5 WHT
- Samsung Note 4
- Samsung Note Edge
- Samsung Galaxy S7 Edge
- Samsung Galaxy J3
- Samsung Galaxy J7
- Samsung S8
- Samsung Galaxy S9
- Nexus 5X
- Nexus 6P

EASYSense APP CONFIGURATION

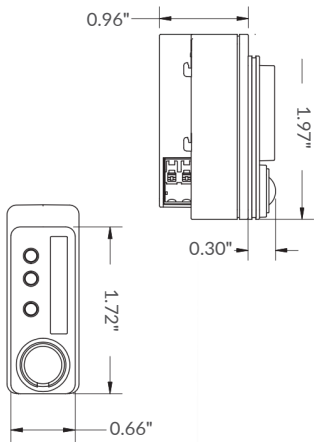
PROGRAM STEPS

1. Create Your Group
2. Add Wireless Wall Switch
3. Close Group
4. Configure Group Performance
5. Program Group
6. Relax & Enjoy

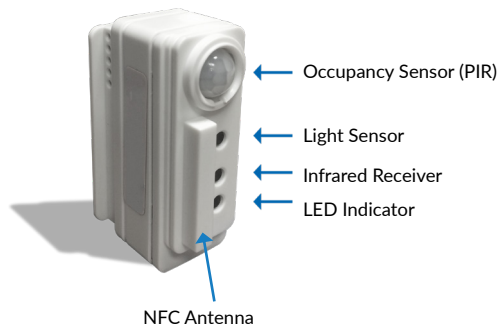


PRODUCT SPECIFICATIONS FOR COMMERCIAL

DIMENSIONS



EASYSense OVERVIEW



LED INDICATOR LIGHTS



Yellow LED On:
Vacancy & sensor is functional



Red LED On:
Motion is detected & hold time is not expired yet

COMPATIBLE FIXTURES:

- VOLA
- LANCE
- FZ
- SQ
- PAN
- FLT
- FLTR
- RZ
- FWS

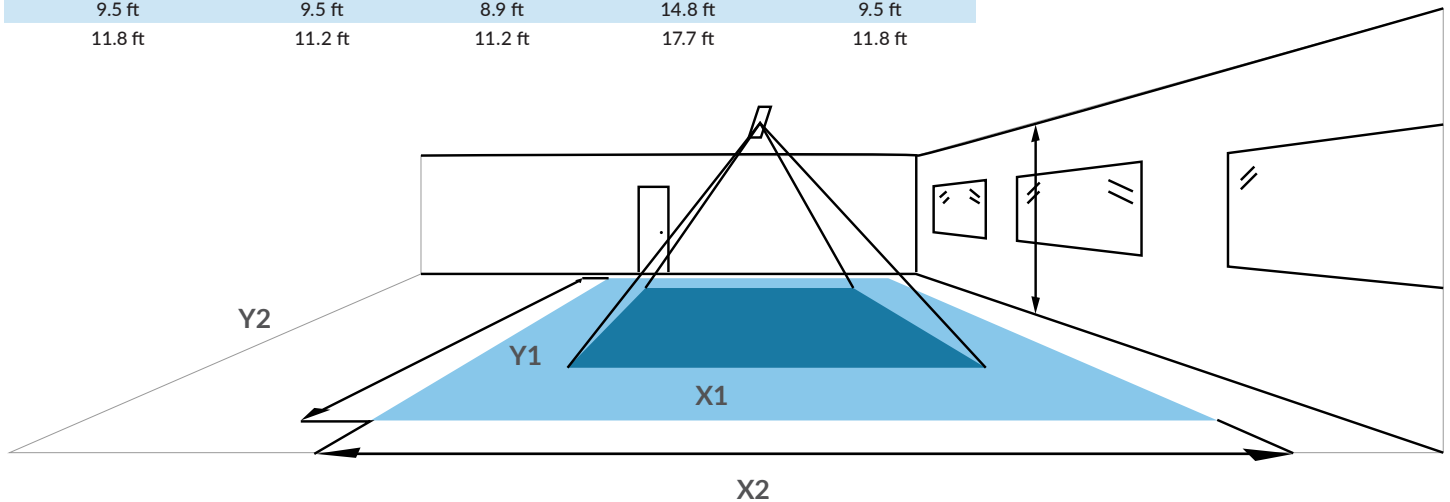
INSTALLATION RECOMMENDATIONS:

- Mounting Height: 8-10ft
- 2ft minimum distance away from windows
- 5ft minimum distance away from other control
- Occupancy Sensing area divided into 2 parts:
 - Minor Movement: Y1 & Y2 (person moving <3 ft/s)
 - Major Movement: Y2 & X2 (person moving >3 ft/s)



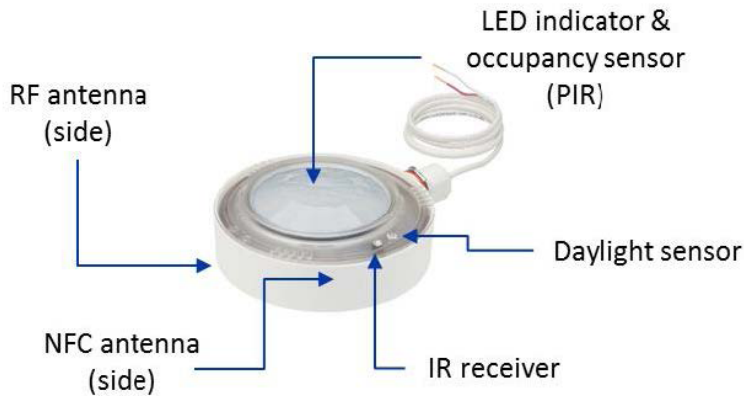
INSTALL HEIGHT MINOR MOVEMENT AREA MAJOR MOVEMENTS AREA

H	Y1	X1	Y2	X2
9.5 ft	9.5 ft	8.9 ft	14.8 ft	9.5 ft
11.8 ft	11.2 ft	11.2 ft	17.7 ft	11.8 ft



PRODUCT SPECIFICATIONS FOR INDUSTRIAL

SENSOR OVERVIEW

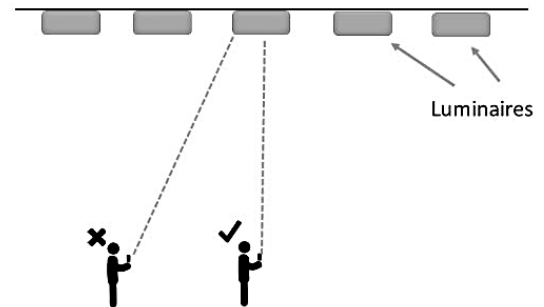


COMPATIBLE FIXTURES:

- EDV
- PHB
- HHB

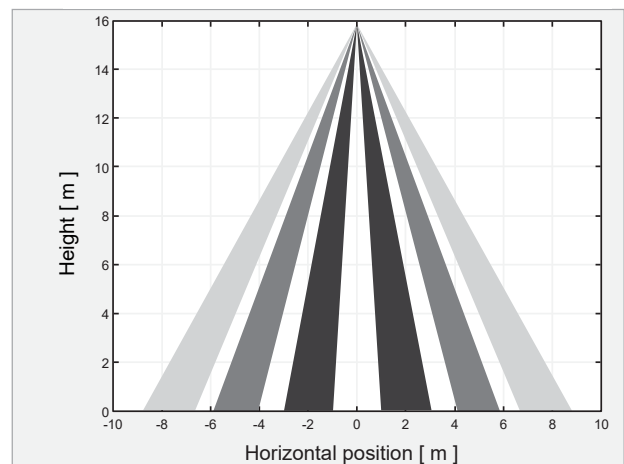
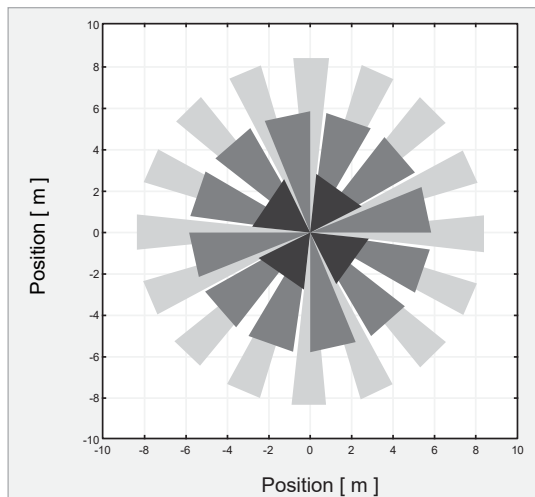
INSTALLATION RECOMMENDATIONS:

- Mounting Height: 15–50ft
- 3ft minimum distance away from windows

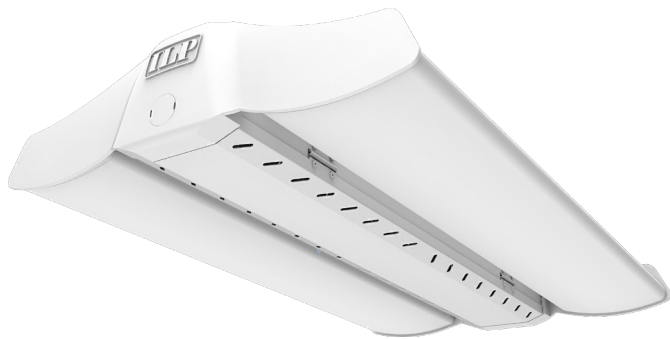


Importance of installer's positioning for correct commissioning of SNH200 using IR Blaster

HEIGHT	COVERAGE DIAMETER
52.5 FT	52.5 FT
39.4 FT	42.7 FT
26.2 FT	29.5 FT
13.1 FT	14.8 FT



ENDEAVOUR



FEATURES

- Sleek Curved Polycarbonate Injection Molded End Caps
- Aluminum Body with steel channel for added rigidity
- Toolless Hinged Driver Access
- Wide & Narrow Distributions
- Impact Resistant and IP5X Rated Lens Options:
 - Frosted Acrylic (FRL)
 - Frosted Polycarbonate (PFL)
- V-Clips for dual point chain or cable hanging (std.)
- Advanced and Basic Controls Options
- -40°F–122°F Ambient Temperature Range
- 3000K–5000K CCT
- Uplight Options
- >80 Color Rendering Index (CRI)
- Calculated L70 >100,000 hrs
- 0–10V Dimmable Driver (100%–10%)
- 120–277V Universal Voltage
- 5 Year Warranty
- ETL Listed for Damp Locations
- DesignLights Consortium® Premium Qualified Luminaire



SUITABLE APPLICATIONS

- Gymnasiums
- Manufacturing Plants
- Warehouses
- Distribution Centers

PART NUMBER	LUMENS	WATTS	Lm/W	REPLACES	DLC LISTING
EDV-8L-U-50	8,433	51	166	4T8	PREMIUM
EDV-12L-U-50	12,570	82	153	2T5HO	PREMIUM
EDV-15L-U-50	16,490	105	158	6T8	PREMIUM
EDV-18L-U-50	20,180	131	154	4T5HO	PREMIUM
EDV-24L-U-50	24,950	164	152	6T5HO	PREMIUM
EDV-30L-U-50	32,170	206	156	10T8	PREMIUM
EDV-36L-U-50	36,334	245	148	8T5HO	PREMIUM
EDV-48L-U-50	48,445	327	148	10T5HO	PREMIUM
EDV-60L-U-50	64,340	413	156	12T5HO	PREMIUM

OPTIONS

ACCESSORIES

FRL	Frosted Acrylic Lens
PFL	Frosted Polycarbonate Lens
ND	Narrow Distribution
UP/2L ¹	2000 lm Uplight
UP/4L ¹	4000 lm Uplight
CORDx	Cord (x = ft)
CORD/XFT/L7-15P	Cord (x=ft) w/ 277V 15amp Plug
QDCx	Quick Disconnect Cord (x = ft)
GTD	Factory Installed Generator Transfer Device
FI/ILBCPXX ^{2,3}	XXW LED Factory Installed Battery Backup
SD480	480V Step Down Transformer
SD347	347V Step Down Transformer
WC ¹	11 GA Wire Cage

CONTROLS

FIOS ⁶	On/Off Occupancy Sensor
FIOSPC ⁶	On/Off Occupancy Sensor w/ Photocell
FIOSPC/DLH ⁶	On/Off Occupancy Sensor w/ Daylight Harvesting
DHPC ⁶	Daylight Harvesting
USBD ⁶	User Bi-Level Dim Sensor w/ Occ. Sensor
BDxx ⁶	Preset Bi-Level Dim Sensor (xx=%eg.20,30)
BDxxPC ⁶	Preset Bi-Level Dim Sensor w/ Photocell
ES/HB ^{7,8}	EasySense High Bay Sensor
FSP-211/LX ^{8,9}	Legrand FSP-211 Sensor (x=mounting height)
FSP-311/LX ⁸	Legrand FSP-311 Sensor (x=mounting height)
5S/CU/IL ⁸	Enlighted 5E (IL) Sensor w/ Control Unit
5S/CU/CL ⁸	Enlighted 5E (CL) Sensor w/ Control Unit
5S/CU/IOT ⁸	Enlighted 5E (IOT) Sensor w/ Control Unit
ES/PCD ⁴	EasySense Pre-Programmed Control Device
ES/IR ⁵	EasySense Commissioning IR Blaster
ES/WWS/DR	EasySense Dual Rocker Wireless Wall Switch
FSIR-100 ⁴	Programming tool for FSP-211 Sensor

MOUNTING

FMB	Fixture Mounting Box (requires HUB or HOOK)
HOOK	Cast Iron Hook for Single Point Mounting
HUB 3/4	Conduit Hub 3/4" for Pendant Mounts
HB-XX-18Y-PAD	Y-Toggle Cable System (xx=inches)
SMZBKIT	Surface Mount Bracket Kit, provides a 2" space above fixture

¹ Does not qualify for DLC

² Mounted externally to fixture (20W only)

³ Cannot be used with FMB, HUB, or HOOK (20W only)

⁴ One needed per project

⁵ Must be used with ES/PCD

⁶ Sensor mounted off end cap of fixture

⁷ Must be used with ES/PCD and ES/IR options for commissioning

⁸ Sensor Mounted on center driver channel

⁹ Must be used with FSIR for commissioning

PREMIUM HIGH BAY

PREMIUM HIGH BAY



FEATURES

- Premium efficiency delivers maximum savings
- Aluminum body with steel channel for added rigidity
- Riveted construction and vented ballast channel
- Frosted Acrylic or Polycarbonate Lens options
- High gloss polyester white paint
- Multiple dimming and sensor options to fully control occupied and unoccupied light levels
- Toolless hinged bottom driver access door
- V-Clips for dual point chain or cable hanging (std.)
- 3000K-5000K CCT
- -40°F-145°F Ambient Temperature Range
- >80 Color Rendering Index (CRI)
- Calculated L70 >100,000 hrs
- 0-10V Dimmable Driver
 - PHB - 50W / 105W / 126W / 210W (100%-10%)
 - PHB - 76W / 84W / 157W / 168W / 252W / 336W / 495W / 660W (100%-5%)
- 120-277V Universal Voltage
- 5 Year Warranty
- ETL Listed for Damp Locations
- DesignLights Consortium® Premium Qualified Luminaire



SUITABLE APPLICATIONS

- Gymnasiums
- Distribution Centers
- Warehouses
- Manufacturing Plants

PART NUMBER	LUMENS	WATTS	Lm/W	REPLACES	DLC LISTING
PHB-50WLED-UNIV-50	7,511	51	148	2T5HO	PREMIUM
PHB-76WLED-UNIV-50	11,900	77	153	250W MH	PREMIUM
PHB-84WLED-UNIV-50	14,036	85	164	3T5HO	PREMIUM
PHB-105WLED-UNIV-50	15,920	104	150	4T5HO	PREMIUM
PHB-126WLED-UNIV-50	20,444	127	161	400W MH	PREMIUM
PHB-157WLED-UNIV-50	25,179	157	160	400W MH	PREMIUM
PHB-168WLED-UNIV-50	27,730	170	162	6T5HO	PREMIUM
PHB-210WLED-UNIV-50	34,070	210	162	8T5HO	PREMIUM
PHB-252WLED-UNIV-50	40,820	251	162	8T5HO	PREMIUM
PHB-336WLED-UNIV-50	55,505	338	164	1000W MH	PREMIUM
PHB-495WLED-UNIV-50	74,800	498	150	1000W MH	PREMIUM
PHB-660WLED-UNIV-50	97,264	659	148	1000W MH	PREMIUM

OPTIONS

ACCESSORIES

FRL	Frosted Acrylic Lens
PCL ¹	Polycarbonate Clear Lens
WC ¹	11 Ga Wire Cage
CORDx	Cord (x=ft)
QDCx	Quick Disconnect Cord (x=ft)
FI/ILBCP05	5W LED Factory Installed Battery Backup
FI/ILBCP07	7W LED Factory Installed Battery Backup
FI/ILBCP10	10W LED Factory Installed Battery Backup
FI/ILBCP12	12W LED Factory Installed Battery Backup
FI/ILBCP20 ^{2,3}	20W LED Factory Installed Battery Backup
SD347 ¹	347V Step Down Transformer
SD480 ¹	480V Step Down Transformer

CONTROLS

FIOS	On/Off Occupancy Sensor
FIOSPC	On/Off Occupancy Sensor w/ Photocell
FIOSPC/DLH	Daylight Harvesting w/ Motion & Photocell
USB	User Select Bi-Level Dim Occ. Sensor
BDxx	Preset Bi-Level Dim Sensor (xx=% eg. 20,30)
BDxxPC	Preset Bi-Level Dim Sensor w/ Photocell
DHPC	Daylight Harvesting
ES/HB ⁴	EasySense High Bay Sensor
ES/IR ⁵	EasySense Commissioning IR Blaster
ES/PCD ⁵	EasySense Pre-programmed Control Device

MOUNTING

FMB	Fixture Mounting Box (Requires HUB or HOOK)
HOOK	Cast Iron Hook for Single Point Mounting
HUB 3/4	Conduit Hub 3/4" for Pendant Mounts
HB-XX-18Y-PAD	Y-Toggle Cable System (xx=inches)
SMZBKIT	Surface Mount Bracket Kit, provides a 2" space above fixture

¹Does not qualify for DLC
²Available for 168W-660W only

³Externally mounted to fixture
⁴Must be used with ES/PCD & ES/IR options for commissioning

⁵One needed per project

PREMIUM HIGH BAY TENNIS COURT



FEATURES

- Premium efficiency delivers maximum savings
- Aluminum body with steel channel for added rigidity
- Inverted mounting for indirect distribution. Reduces glare by 100%
- Riveted construction and vented ballast channel
- Angled Polycarbonate Lens for ball return
- High gloss polyester white paint blends fixture into roof line
- Multiple dimming and sensor options to fully control occupied and unoccupied light levels
- Toolless hinged bottom driver access door
- V-Clips for dual point chain or cable hanging (std.)
- -40°F–115°F Ambient Temperature Range
- 3000K–5000K CCT
- 0–10V Dimmable Driver (100%–5%)
- 120–277V Universal Voltage
- 5 Year Warranty
- ETL Listed for Damp Locations
- DesignLights Consortium® Qualified Luminaire

PREMIUM HIGH BAY
TENNIS COURT



SUITABLE APPLICATIONS

- Tennis Courts and Gymnasiums
- Distribution Centers
- Warehouses
- Manufacturing Plants
- Auditoriums
- Gymnasiums

PART NUMBER

PART NUMBER	LUMENS	WATTS	Lm/W	REPLACES	DLC LISTING
PHB-495WLED-UNIV-50-PCL-TC	65,582	494	133	1000W MH	STANDARD
PHB-660WLED-UNIV-50-PCL-TC	91,317	667	137	1000W MH	STANDARD

OPTIONS

ACCESSORIES

WC ¹	11 Ga Wire Cage
CORDx	Cord (x=ft)
QDCx	Quick Disconnect Cord (x=ft)
FI/ILBCP05	5W LED Factory Installed Battery Backup
FI/ILBCP07	7W LED Factory Installed Battery Backup
FI/ILBCP10	10W LED Factory Installed Battery Backup
FI/ILBCP12	12W LED Factory Installed Battery Backup
FI/ILBCP20 ²	20W LED Factory Installed Battery Backup
SD347 ¹	347V Step Down Transformer
SD480 ¹	480V Step Down Transformer

CONTROLS

FIOS	On/Off Occupancy Sensor
FIOSPC	On/Off Occupancy Sensor w/ Photocell
FIOSPC/DLH	Daylight Harvesting w/ Motion & Photocell
USBD	User Select Bi-Level Dim Occ. Sensor
BDxx	Preset Bi-Level Dim Sensor (xx=% eg. 20,30)
BDxxPC	Preset Bi-Level Dim Sensor w/ Photocell
DHPC	Daylight Harvesting

MOUNTING

FMB	Fixture Mounting Box (Requires HUB or HOOK)
HOOK	Cast Iron Hook for Single Point Mounting
HUB 3/4	Conduit Hub 3/4" for Pendant Mounts
HB-XX-18Y-PAD	Y-Toggle Cable System (xx=inches)
SMZBKIT	Surface Mount Bracket Kit, provides a 2" space above fixture

¹Does not qualify for DLC

²Externally mounted to fixture

HIMALAYAN HIGH BAY



FEATURES

- Post painted white steel body for maximum rigidity & durability
- 8,000–56,000 Lumen Package Range
- Compact housing delivering up to 24,000 lumens in 2ft body
- Impact resistant frosted acrylic lens (included)
- V-Clips for dual chain or cable hanging (included)
- -4°F–122°F Ambient Temperature Range
- 4000K & 5000K CCT
- >80 Color Rendering Index (CRI)
- Calculated L₇₀ >100,000 hrs
- 0–10V Dimmable Driver (100%–10%)
- 120–277V Universal Driver
- 5 Year Warranty
- UL Listed for Damp Locations
- DesignLights Consortium® Premium Qualified Luminaire



SUITABLE APPLICATIONS

- Gymnasiums
- Distribution Centers
- Warehouses
- Manufacturing Plants

PART NUMBER	LUMENS	WATTS	Lm/W	REPLACES	DLC LISTING
HHB-8L-U-50-FRL	8,295	63	132	2T5HO	PREMIUM
HHB-12L-U-50-FRL	11,717	89	131	250W MH	PREMIUM
HHB-18L-U-50-FRL	17,583	133	132	400W MH	PREMIUM
HHB-24L-U-50-FRL	23,187	178	130	400W MH	PREMIUM
HHB-34L-U-50-FRL	34,945	267	131	8T5HO	PREMIUM
HHB-321WLED-UNIV-50-FRL	42,512	318	134	1000W MH	PREMIUM
HHB-425WLED-UNIV-50-FRL	56,660	421	135	1000W MH	PREMIUM

OPTIONS

ACCESSORIES

PCL ¹	Polycarbonate Lens
WC ¹	11 Ga Wire Cage
CORDx	Cord (x=ft)
QDC	Quick Disconnect Cord
FI/ILBCP05 ²	5W LED Factory Installed Battery Backup
FI/ILBCP07 ²	7W LED Factory Installed Battery Backup
FI/ILBCP10 ²	10W LED Factory Installed Battery Backup
FI/ILBCP12 ²	12W LED Factory Installed Battery Backup
FI/ILBCP20 ²	20W LED Factory Installed Battery Backup
SD347 ³	347V Step Down Transformer
SD480 ³	480V Step Down Transformer
HT ⁴	High Temperature Options

CONTROLS

FIOS	On/Off Occupancy Sensor
FIOSPC	On/Off Occupancy Sensor w/ Photocell
FIOSPC/DLH	Daylight Harvesting w/ Motion & Photocell
USBD	User Select Bi-Level Dim Occ. Sensor
BDxx	Preset Bi-Level Dim Sensor (xx=% eg. 20,30)
BDxxPC	Preset Bi-Level Dim Sensor w/ Photocell
DHPC	Daylight Harvesting
ES/HB ⁵	EasySense High Bay Sensor
ES/IR ⁶	EasySense Commissioning IR Blaster
ES/PCD ⁶	EasySense Pre-programmed Control Device

MOUNTING

HOOK ⁷	Cast Iron Hook for Single Point Mounting
HUB 3/4 ⁸	Conduit Hub 3/4" for Pendant Mounts
HB-XX-18Y-PAD	Y-Toggle Cable System (xx=inches)
SMBKIT	Surface Mount Bracket Kit, provides a 2" space above fixture
CPMB	Center Point Mounting Box for Single Point Mounting, provides for Single Point Mounting (HUB or HOOK required)

¹Does not qualify for DLC

²Externally mounted. Cannot be used with CPMB, Hook, SMBKIT, or HUB 3/4

³Does not qualify for DLC on 321W and 425W

⁴Adds 10°F to standard fixture max ambient. ONLY available on 321W and 425W

⁵Must be used with ES/PCD and ES/IR for commissioning

⁶One needed per project

⁷Must be used with CPMB and Y-Toggle Cable System

⁸Must be used with CPMB

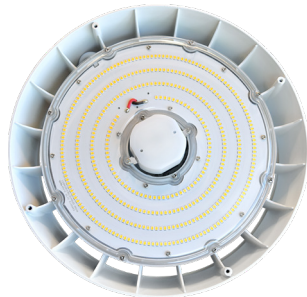
ROUND HIGH BAY



Standard



Shown as 25L-31L with AD22



Shown with Sensor (S) option

FEATURES

- IP65 Rated & NSF Listed Round High Bay
- 13,000–31,000 Lumens
- Powder coated cold-forged aluminum housing
- Remote controlled center mounted sensor option
- IK10 impact rated primary polycarbonate lens
 - Clear (std.)
 - Frosted (optional)
- Optional Diffusers
 - 16" & 22" Frosted Acrylic
 - 14" Aluminum Reflector
- 6ft Cord (std.)
- Mounting Options
 - Cable
 - Hook (std.)
 - Pendant (1/2" threaded hub std.)
 - Surface Mount
- Damp & Wet Location 347/480V & Emergency Options
- 120–277V Universal Voltage
- 0–10V Dimmable Driver (100%–10%)
- 4000K & 5000K CCT
- >80 Color Rendering Index (CRI)
- Calculated L70 >100,000 hrs
- -40°F–122°F Ambient Temperature Range
- 5 Year Warranty
- UL Listed for Damp and Wet Locations
- DesignLights Consortium® Premium Qualified Luminaire



SUITABLE APPLICATIONS

- Gymnasiums
- Distribution Centers
- Warehouses
- Manufacturing Plants
- Food Processing
- Wet Locations

PART NUMBER	LUMENS	WATTS	Lm/W	REPLACES	DLC LISTING
RB3-13L-U-50	13,376	98	136	250W HID	PREMIUM
RB3-19L-U-50	19,886	147	135	400W HID	PREMIUM
RB3-25L-U-50	26,130	193	135	400W HID	PREMIUM
RB3-31L-U-50	30,162	224	134	400-600W HID	PREMIUM

OPTIONS

ACCESSORIES

FRL	Frosted Primary Lens
REFL90 ¹	90° Aluminum Reflector 14" Diameter
AD16 ^{1,2}	Acrylic Diffuser 16"
AD22 ¹	Acrylic Diffuser 22"
CORD/6FT/L7-15P ³	6ft Factory Installed Cord with L7-15 Plug
CORD/10FT ^{3,4}	10ft Factory Installed Cord without plug
CORD/10FT/L7-15P ^{3,4}	10ft Factory Installed Cord with L7-15 Plug
WC16 ^{1,5}	16" 11 Ga Wire Cage
WC22 ^{1,6}	22" 11 Ga Wire Cage
CL16 ^{1,5}	16" Frosted Conical Bottom Lens
CL22 ^{1,6}	22" Frosted Conical Bottom Lens
LEDBB/D ³	25W LED Battery Backup for Damp Locations
LEDBB/W ⁷	25W LED Battery Backup for Wet Locations
SD347/D ^{3,8,9}	347V Step Down Transformer for Damp Locations
SD480/D ^{3,8,9}	480V Step Down Transformer for Damp Locations
SD347/W ^{7,8,9}	347V Step Down Transformer for Wet Locations
SD480/W ^{7,8,9}	480V Step Down Transformer for Wet Locations

CONTROLS

S ^{7,10,11}	Factory Installed Center Mounted Sensor
S/RC ¹²	Sensor Remote Control

MOUNTING

SMB	Surface Mount Bracket
FMB ^{3,13}	Fixture Mounting Box (Requires HUB or HOOK)
HUB 3/4 ¹⁴	Conduit Hub 3/4" for pendant mount
HB5	5ft Aircraft Cable Suspension Kit
HB10	10ft Aircraft Cable Suspension Kit
RED 3/4	3/4" Conduit Reducer

¹Ship with Accessory
²Only available with RB3-13L & 19L
³Does not maintain IP Rating
⁴Shipped w/ cord installed on Fixture Mounting Box

⁵Must be used with AD16
⁶Must be used with AD22
⁷Option maintains IP65 Rating & NSF Listing
⁸Does not qualify for DLC

⁹Cannot be used with LEDBB option
¹⁰Standard Sensor Operations: On/Off, Bi-Level Dimming & Photocell
¹¹Requires Sensor Remote Control (S/RC) to program sensor
¹²One required per project when selecting (S) Sensor option

¹³Requires HUB or HOOK for mounting
¹⁴Requires Fixture Mounting Box

LOW BAY

LOW BAY



Shown with Sensor



FEATURES

- Low profile die-cast aluminum housing
- Frosted Polycarbonate Lens (std.)
- Quick mount bracket standard for easy surface mount installation
- ½" coin plug on top for center pendant mount or jbox w/ cord lock
- Four ½" coin plugs on sides for conduit or photocell
- Motion and Daylight Harvesting available
- Sensor Ready for Grouping/Zones & IoT (provided by others)
- Bronze and white housing (std.)
- Custom color options available
- -4°F-130°F Ambient Temperature Range
- 3000K, 4000K & 5000K CCT
- >80 Color Range Index (CRI)
- Calculated L70 >100,000 hrs
- 0-10V Dimmable Driver (100%-10%)
- 120-277V Universal Voltage
- IP66 Rated
- 5 Year Warranty
- ETL Listed for Wet Locations
- DesignLights Consortium® Qualified Luminaire



SUITABLE APPLICATIONS

- Warehouses
- Manufacturing Plants
- Distribution Centers
- Gymnasiums
- Coolers/Freezers
- Saw Mills

PART NUMBER

LUMENS

WATTS

Lm/W

REPLACES

DLC LISTING

PART NUMBER	LUMENS	WATTS	Lm/W	REPLACES	DLC LISTING
UFO-40WLED-UNIV-50-LB	5,610	40	140	150W MH	PREMIUM
UFO-58WLED-UNIV-50-LB	7,297	58	127	175W MH	PREMIUM
UFO-75WLED-UNIV-50-LB	9,640	77	126	250W MH	STANDARD

OPTIONS

ACCESSORIES

WHT	White Fixture Housing
CORDx	Cord (x=ft)
SP1	10kA Max Univolt Surge Protector
SP2	22kA Max Univolt Surge Protector
SP480V	20kA Max 480V Surge Protector
ILBCP05 ¹	5W BB Factory Installed (32°F - 100°F)
LEDBBCT ¹	LED -4°F-80°F Battery Backup
SD347 ^{1,2}	347V Step Down Transformer
SD480 ^{1,2}	480V Step Down Transformer

CONTROLS

WLOS ³	Wet Location On/Off Sensor
DIM	Dimming Leads Installed
USBD ³	User Select Bi-Level Dim Occ. Sensor
BDxx ³	Preset Bi-Level Dim Sensor (xx=% eg. 20,30)
BDxxPC ³	Preset Bi-Level Dim Sensor w/ Photocell
FSIR/100 ⁴	Remote Configuration Tool (WLOS, USBD, BDxx & BDxxPC)

MOUNTING

TB	Trunnion Mount Bracket
----	------------------------

¹Does not qualify for DLC

²LEDBBCT, SD347, and SD480 cannot be installed together

³Must be used with FSIR/100 remote

⁴One needed per project

GRID HIGH BAY

FEATURES

- 2x2 and 2x4 recessed grid high bay
- Specification grade for new construction/renovation
- .040 aluminum pre-painted housing
- Standard configuration
 - No Lens
 - No Wire Cage
- .080" frosted lens and .125" polycarbonate lens options
- Wire Cage option available
- Flange kit option available
- -4°F–125°F Ambient Temperature Range
- 3000K–5000K CCT
- >80 Color Range Index (CRI)
- Calculated L70 >100,000 hrs
- 0–10V Dimmable Driver (100%–5%)
- 120–277V Universal Voltage
- 5 Year Warranty
- ETL Listed for Damp Locations
- DesignLights Consortium® Premium Qualified Luminaire



SUITABLE APPLICATIONS

- Gymnasiums
- Multipurpose Rooms
- Car Dealership
- Racquetball Courts

PART NUMBER

PART NUMBER	LUMENS	WATTS	Lm/W	REPLACES	DLC LISTING
GH22-90WLED-UNIV-50-FRL	12,352	88	140	250W MH	PREMIUM
GH22-115WLED-UNIV-50-FRL	15,037	113	134	400W MH	PREMIUM
GH22-135WLED-UNIV-50-FRL	18,340	136	135	400W MH	PREMIUM
GH24-90WLED-UNIV-50-FRL	12,681	89	143	3T5HO	PREMIUM
GH24-130WLED-UNIV-50-FRL	18,749	132	142	400W MH	PREMIUM
GH24-180WLED-UNIV-50-FRL	24,350	176	138	6T5HO	PREMIUM

OPTIONS

ACCESSORIES

- FRL Frosted Acrylic Lens
- PCL¹ Polycarbonate Lens
- WC¹ 11 Ga Wire Cage
- G² Single Gasket
- G2² Double Gasket
- G3² Triple Gasket
- FI/ILBCP05 5W LED Factory Installed Battery Backup
- FI/ILBCP07 7W LED Factory Installed Battery Backup
- FI/ILBCP10 10W LED Factory Installed Battery Backup
- FI/ILBCP12 12W LED Factory Installed Battery Backup
- FI/ILBCP20 20W LED Factory Installed Battery Backup
- SD347¹ 347V Step Down Transformer
- SD480¹ 480V Step Down Transformer

ACCESSORIES (cont'd)

- WHIP/6FT 6ft MC Cable Whip w/ 3 leads
- WHIP/6FT/4WIRE 6ft 4 Wire MC Cable Whip w/ 3 leads attached to power & 1 lead for battery backup
- WHIP/6FT/5WIRE 6ft 5 Wire MC Cable Whip w/ 3 leads attached to power & 2 leads attached to dimming
- WHIP/6FT/6WIRE 6ft 6 Wire MC Cable w/ 3 leads for fixture power, 2 leads for dimming & 1 for battery backup

MOUNTING

- FLGK Flange Kit
- HC Hurricane Clips

¹Does not qualify for DLC

²Does Not Make Fixture Wet Location Rated or Dust Tight

BLIZZARD HIGH BAY SERIES

BLIZZARD SERIES



FEATURES

- 2ft & 4ft Vapor Tight High Bay
- Fiberglass body attributes:
 - IP65, IP66, IP67 (Dust tight, low/high pressure water jets and immerse 1M)
 - NEMA4X, NSF Listed & 5VA Flame Rated
- Clear Acrylic Lens (CAL), Frosted Acrylic (FRAL), Polycarbonate Lens (PCL) or Polycarbonate Frosted Lens (F/PCL) available
- V-Hooks for chain or cable hanging (std.)
- Optional Rigid Mounting Beam (RMBSS) allows for secure ceiling mount/dual pendant mount
- Marine grade 316 stainless steel latches (std.)
- -40°F-130°F Ambient Temperature Range
- 3000K-5000K CCT
- >80 Color Range Index (CRI)
- Calculated L70 >100,000 hrs
- 0-10V Dimmable Driver (100%-10%)
- 120-277V Universal Voltage
- 5 Year Warranty
- ETL Listed for Wet Locations
- DesignLights Consortium® Premium Qualified Luminaire



SUITABLE APPLICATIONS

- Coolers / Freezers
- Distribution Centers
- Food Preparation
- Saw Mills

PART NUMBER	LUMENS	WATTS	Lm/W	REPLACES	DLC LISTING
BLEXT2-95WLED-UNIV-50-CAL	11,740	96	122	250W MH	STANDARD
BLEXT2-140WLED-UNIV-50-CAL	15,820	140	114	400W MH	STANDARD
BL-80WLED-UNIV-50-CAL	12,884	84	154	250W MH	PREMIUM
BL-120WLED-UNIV-50-CAL	17,410	116	150	400W MH	PREMIUM
BL-160WLED-UNIV-50-CAL	24,426	160	152	400W MH	PREMIUM
BLEXT-205WLED-UNIV-50-CAL	30,729	205	150	6T5HO	PREMIUM

OPTIONS

ACCESSORIES

FRAL	Frosted Acrylic Lens
PCL ¹	Polycarbonate Lens
F/PCL ^{1,2}	Frosted Polycarbonate Lens
CORDWx	Wet Location Strain Relief Cord (x=ft)
FI/ILBCP05 ³	5W LED Factory Installed Battery Backup
FI/ILBCP07 ³	7W LED Factory Installed Battery Backup
FI/ILBCP10 ³	10W LED Factory Installed Battery Backup
FI/ILBCP12 ³	12W LED Factory Installed Battery Backup
LEDBBCT	LED -4°F-80°F Battery Backup
SD347 ¹	347V Step Down Transformer
SD480 ¹	480V Step Down Transformer

CONTROLS

WLOS	Wet Location On/Off Sensor
WLOSPC	Wet Location On/Off Sensor w/ Photocell
USBD	User Select Bi-Level Dim Occ. Sensor
BDxx	Preset Bi-Level Dim Sensor (xx=% eg. 20,30)
BDxxPC	Preset Bi-Level Dim Sensor w/ Photocell

MOUNTING

HUB 1/2	Conduit Hub ½" for Dual Pendant Mount (Requires RMBSS)
HUB 3/4	Conduit Hub ¾" for Single Pendant Mount (Requires RCMBKSS)
HB-XX-18Y-PAD	Y-Toggle Cable System (xx=inches)
BL-RMBSS ⁴	Rigid Mounting Beam for Surface or Dual Pendant Mounting (BL & BLEXT2)
BLEXT-RMBSS ⁴	Rigid Mounting Beam for Surface or Dual Pendant Mounting (BLEXT only)
SMB KIT BL	Surface Mount V-Clip Brackets (BL only)
BL-RCMBKSS ⁵	Rigid Mount Single Point Bracket used in conjunction w/ RMBSS (BL only)
BLEXT-RCMBKSS ⁵	Single Point Mounting Plate used in conjunction w/ RMBSS (BLEXT only)

¹Does not qualify for DLC
²Not available with BLEXT2

³32°F Minimum starting temperature
⁴Must be used with (2) HUB ¾ for dual pendant mount

⁵Must be used with HUB ¾ for single pendant mount

BLIZZARD HIGH BAY RETROFIT KIT

BLIZZARD HIGH BAY RETROFIT KIT



FEATURES

- Vapor Tight High Bay Retrofit
- Easy upgrade to LED
- Installs in less than 5 minutes
- Reduce power consumption by 66%
- Durable aluminum 1 piece kit
- Frosted Acrylic, Clear Acrylic, or Polycarbonate Lens options
- -40°F-130°F Ambient Temperature Range
- 3000K-5000K CCT
- >80 Color Range Index (CRI)
- Calculated L70 >100,000 hrs
- 0-10V Dimmable Driver (100%-5%)
- 120-277V Universal Voltage
- 5 Year Warranty
- ETL Listed
- DesignLight Consortium® Premium Qualified Luminaire



COMPATIBLE FIXTURES

- ILP Blizzard Series
- Lithonia FHE Series
- Columbia XEW4 Series
- Cooper VT4 Series
- Philips Day-Brite CFI Series
- Visit www.ilp-inc.com for a full list of compatible fixtures

PART NUMBER	LUMENS	WATTS	Lm/W	REPLACES	DLC LISTING
BLR-80WLED-UNIV-50	12,884	84	154	3T5HO	PREMIUM
BLR-120WLED-UNIV-50	17,410	116	150	4T5HO / 6T8	PREMIUM
BLR-160WLED-UNIV-50	24,426	160	152	6T5HO	PREMIUM

OPTIONS

ACCESSORIES

- CAL¹ Clear Acrylic Lens
- FRAL¹ Frosted Acrylic Lens
- PCL^{1,2} Polycarbonate Lens
- FI/ILBCP05³ 5W LED Factory Installed Battery Backup
- FI/ILBCP07³ 7W LED Factory Installed Battery Backup
- FI/ILBCP10³ 10W LED Factory Installed Battery Backup
- FI/ILBCP12³ 12W LED Factory Installed Battery Backup
- LEDBBCT LED -4°F-80°F Battery Backup
- SD347² 347V Step Down Transformer
- SD480² 480V Step Down Transformer

CONTROLS

- WLOS⁴ Wet Location On/Off Sensor
- WLOSPC⁴ Wet Location On/Off Sensor w/ Photocell
- USBD⁴ User Select Bi-Level Dim Occ. Sensor
- BDxx⁴ Preset Bi-Level Dim Sensor (xx=% eg. 20,30)
- BDxxPC⁴ Preset Bi-Level Dim Sensor w/ Photocell

¹Ship with item. Ordered separately
²Does not qualify for DLC

³32°F Minimum starting temperature
⁴Ship with item. Mounts to existing fixture housing

AMAZON Z SERIES

AMAZON Z SERIES



FEATURES

- 4ft & 8ft configurations available
- Suitable for wall or ceiling mount
- Fiberglass body attributes:
 - IP65, IP66, IP67 (Dust tight, low/high pressure water jets and immerse 1M)
 - NEMA4X, NSF Listed & 5VA Flame Rated
- Impact resistant, Ribbed Acrylic Frosted (RAFL std.), Shallow Polycarbonate Frosted (SPFL), Shallow Polycarbonate Clear (SPCL) lens options
- Continuous poured, closed cell polyurethane gasket
- Stainless steel mounting brackets for drill free mounting (std.)
- Polycarbonate Latches (std.), Stainless Steel (SS) optional
- Tamper Proof Screws (TPS) optional
- -40°F-115°F Ambient Temperature Range
- 3000K-5000K CCT
- >80 Color Range Index (CRI)
- Calculated L70 >100,000 hrs
- 0-10V Dimmable Driver
- 120-277V Universal Voltage
- 5 Year Warranty
- ETL Listed for Wet Locations
- DesignLights Consortium® Premium Qualified Luminaire



SUITABLE APPLICATIONS

- Parking Garages
- Pool Areas (SS Latches)
- Food Processing and Preparation (SS Latches)
- Car Washes (SS Latches)

PART NUMBER

PART NUMBER	LUMENS	WATTS	Lm/W	REPLACES	DLC LISTING
WTZ-18WLED-UNIV-50-RAFL	2,755	18	153	1T8	PREMIUM
WTZ-25WLED-UNIV-50-RAFL	3,986	27	149	2T8	PREMIUM
WTZ-28WLED-UNIV-50-RAFL	4,502	30	150	1T5HO	PREMIUM
WTZ-40WLED-UNIV-50-RAFL	5,643	40	141	3T8	PREMIUM
WTZ-48WLED-UNIV-50-RAFL	6,676	49	138	2T5HO	PREMIUM
WTZ8-36WLED-UNIV-50-RAFL	5,582	36	155	2T8	PREMIUM
WTZ8-50WLED-UNIV-50-RAFL	7,865	52	151	2T5HO	PREMIUM
WTZ8-56WLED-UNIV-50-RAFL	9,122	60	152	4T8	PREMIUM
WTZ8-80WLED-UNIV-50-RAFL	11,433	80	142	4T8	PREMIUM
WTZ8-96WLED-UNIV-50-RAFL	13,735	95	144	4T5HO	PREMIUM

OPTIONS

ACCESSORIES

SPFL ¹	Smooth Polycarbonate Frosted Lens
SPCL ¹	Smooth Polycarbonate Clear Lens
CORDWx	Wet Location Strain Relief Cord (x=ft)
FI/ILBCP07 ²	7W LED Factory Installed Battery Backup
FI/ILBCP10 ²	10W LED Factory Installed Battery Backup
FI/ILBCP12 ²	12W LED Factory Installed Battery Backup
LEDBBCT	LED -4°F-80°F Battery Backup
SD347 ¹	347V Step Down Transformer
SD480 ¹	480V Step Down Transformer
SS	Stainless Steel Latches
TPS	Tamper Proof Screws

CONTROLS

WLOS	Wet Location On/Off Sensor
USB	User Select Bi-Level Dim Occ. Sensor
BDxx	Preset Bi-Level Dim Sensor (xx=% eg. 20,30)
BDxxPC	Preset Bi-Level Dim Sensor w/ Photocell
MWS	Microwave Sensor

MOUNTING

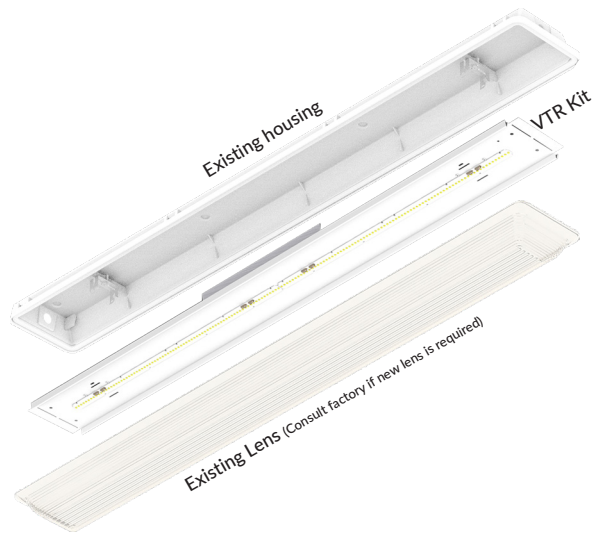
AB/45DEG	45° Angled Surface/Wall Mount Bracket (2/fixture)
FMB ³	Fixture Mounting Box (2/8ft fixture, use w/ HUB 3/4)
HUB 3/4 ⁴	3/4" Conduit Hub for Pendant Mounts (2/8ft fixture)
HB-XX-LOOP	Loop Cable System (xx=inches)

¹Does not qualify for DLC
²32°F Minimum starting temperature

³Must be used with HUB 3/4
⁴Must be used with FMB

VAPOR TIGHT RETROFIT KIT

VAPOR TIGHT RETROFIT KIT



FEATURES

- Easy upgrade to LED
- 4ft & 8ft length durable aluminum kits
- Installs in less than 5 mins.
- Ability to retrofit most any vapor tight housing
- Contact factory for custom configurations
- Reduce power consumption up to 50%
- Mounting clips provided
- 120-277V Universal Voltage
- 0-10V Dimmable Driver
- -40°F-115°F Ambient Temperature Range
- 3000K-5000K CCT
- >80 Color Range Index (CRI)
- Calculated L70 >100,000 hrs
- 5 Year Warranty
- ETL Listed
- DesignLights Consortium® Premium Qualified Luminaire



COMPATIBLE FIXTURES

- Columbia XEM & HEM Series
- LSI EG3 Series
- HE Williams 96 Series
- Simkar ENZ Series
- Texas Fluorescents CIT Series
- Atlas IFW Series
- LDPI 376 Series
- Day-Brite DW Series
- Contact factory for custom configurations

PART NUMBER	LUMENS	WATTS	Lm/W	REPLACES	DLC LISTING
VTR-18WLED-UNIV-50	2,755	18	153	1T8	PREMIUM
VTR-25WLED-UNIV-50	3,986	27	149	2T8	PREMIUM
VTR-28WLED-UNIV-50	4,502	30	150	1T5HO	PREMIUM
VTR-40WLED-UNIV-50	5,643	40	141	3T8	PREMIUM
VTR-48WLED-UNIV-50	6,676	49	138	2T5HO	PREMIUM
VTR8-36WLED-UNIV-50	5,582	36	155	2T8	PREMIUM
VTR8-50WLED-UNIV-50	7,865	52	151	2T5HO	PREMIUM
VTR8-56WLED-UNIV-50	9,122	60	152	4T8	PREMIUM
VTR8-80WLED-UNIV-50	11,433	80	142	4T8	PREMIUM
VTR8-96WLED-UNIV-50	13,735	95	144	4T5HO	PREMIUM

OPTIONS

ACCESSORIES

- FI/ILBCP07¹ 7W LED Factory Installed Battery Backup
- FI/ILBCP10¹ 10W LED Factory Installed Battery Backup
- FI/ILBCP12¹ 12W LED Factory Installed Battery Backup
- C0xx Custom Dimension Option (contact factory)
- SD347² 347V Step Down Transformer
- SD480² 480V Step Down Transformer

CONTROLS

- WLOS³ Wet Location On/Off Sensor
- WLOSPC³ Wet Location On/Off Sensor with Photocell
- USBD³ User Select Bi-Level Dim Occ. Sensor
- BDxx³ Preset Bi-Level Dim Sensor (xx=% eg. 20,30)
- BDxxPC³ Preset Bi-Level Dim Sensor w/ Photocell
- MWS Microwave Sensor Factory Installed

¹32°F Minimum starting temperature
²Does not qualify for DLC

³Field Installed End Mount Sensor from existing fixture housing

AMAZON X SERIES

AMAZON X SERIES



FEATURES

- Available in 4ft & 8ft Lengths:
 - Slim Version—4.4" Wide (WTXS)
 - Wide Version—7.1" Wide (WTX)
- Continuous poured, closed cell polyurethane gasket
- Fiberglass body attributes:
 - IP65, IP66, IP67 (Dust tight, low/high pressure water jets and immerse 1M)
 - NEMA4X, NSF Listed & 5VA Flame Rated
- Smooth Impact Resistant, Acrylic Clear (SACL std.), Acrylic Frosted (SAFL), Polycarbonate Clear (SPCL), Polycarbonate Frosted (SPFL) Lens Options
- Polycarbonate Latches (std.), Stainless Steel (SS) optional
- Tamper Proof Screws (TPS) optional
- Patent Pending Integrated Light Engine Design
- 120–277V Universal Voltage (Non-Dimmable)
- High Efficacy—Up to 138 lm/W
- -40°F–104°F Ambient Temperature Range
- 4000K & 5000K CCT
- >80 Color Range Index (CRI)
- Calculated L70 >100,000 hrs
- 5 Year Warranty
- ETL Listed for Wet Locations
- DesignLights Consortium® Premium Qualified Luminaire



SUITABLE APPLICATIONS

- Parking Garages
- Pool Areas (SS Latches)
- Food Processing and Preparation (SS Latches)
- Car Washes (SS Latches)
- Grocery Stores
- Coolers and Freezers

PART NUMBER	LUMENS	WATTS	Lm/W	REPLACES	DLC LISTING
WTXS-12W-U-50-SACL	1,694	12	137	1T8	PREMIUM
WTX-12W-U-50-SACL	1,706	12	138	1T8	PREMIUM
WTX-24W-U-50-SACL	3,295	25	134	2T8	PREMIUM
WTX-36W-U-50-SACL	4,830	37	131	1T5	PREMIUM
WTX8-24W-U-50-SACL	3,413	25	138	2T8	PREMIUM
WTX8-48W-U-50-SACL	6,592	49	134	2T8	PREMIUM
WTX8-72W-U-50-SACL	9,647	74	131	4T8	PREMIUM

OPTIONS

ACCESSORIES

- SAFL Smooth Acrylic Frosted Lens
- SPCL Smooth Polycarbonate Clear Lens
- SPFL Smooth Polycarbonate Frosted Lens
- CORDx Cord (x=ft)
- EM5¹ Factory Installed 5W Battery Backup
- EM10¹ Factory Installed 10W Battery Backup
- EMCT -4°F 10W Cold Temperature Battery Backup
- SS Stainless Steel Latches
- TPS Tamper Proof Screws
- SD347² 347V Step Down Transformer
- SD480² 480V Step Down Transformer
- SP Surge Protector - 10KVA - 120–277VAC

CONTROLS

- WLOS On/Off Wet Location Occupancy Sensor
- BD50 50% Bi-Level Wet Dimming Sensor (24W/48W only)
- BD30 30% Bi-Level Wet Dimming Sensor (36W/72W only)

MOUNTING

- AB/45DEG 45° Angled Mounting Bracket (2/fixture)
- HB-XX-LOOP Loop Cable System (xx=inches)

¹32°F Minimum starting temperature
²Does not qualify for DLC

VOLA - 1x4 Recessed Volumetric Troffer

Enhanced

VOLA 1x4



FEATURES

- Architecturally designed volumetric troffer
- Lightweight aluminum matte white finish body
- High transmission extruded PMMA frosted acrylic lens
- Recessed, Surface or Flange Mount
- Air Return Options
- Advanced Wireless Controls Options
- 2,400–6,200 Delivered Lumens
- High Efficacy—Up to 148 lm/W
- 3000K–5000K CCT
- 80 & 90 CRI Options
- Calculated L70 >100,000 hrs
- 0–10V Dimmable Driver
- 5 Year Warranty
- ETL Listed
- DesignLights Consortium® Premium Qualified Luminaire



SUITABLE APPLICATIONS

- Education
- Healthcare
- Offices
- Hallways
- Multipurpose Rooms
- Conference Rooms

PART NUMBER

PART NUMBER	LUMENS	WATTS	Lm/W	REPLACES	DLC LISTING
VOLA14-24L-U-40	2,389	17	143	1T8	PREMIUM
VOLA14-30L-U-40	3,008	21	141	2T8	PREMIUM
VOLA14-41L-U-40	4,081	29	139	2T8	PREMIUM
VOLA14-46L-U-40	4,588	34	137	2T8	PREMIUM
VOLA14-52L-U-40	5,206	38	138	3T8	PREMIUM
VOLA14-62L-U-40	6,167	46	135	3T8	PREMIUM

OPTIONS

ACCESSORIES

90CRI	90 CRI CCT
HV	347V High Voltage Driver
SR	Sensor Ready Driver
DR	DALI Ready Driver
BLD	Bi-Level Dimming Driver (2 hot leads)
LDE1	Lutron Hi-Lume Driver
DIM1	1% Dimming Driver
AR/W	Air Return / White Reveal
AR/B	Air Return / Black Reveal
WHIP/6FT/3WIRE ¹	6FT MC Cable w/ 3 leads attached to power
WHIP/6FT/4WIRE ¹	6FT MC Cable w/ 3 leads attached to power & 1 lead for use w/ Battery Backup
WHIP/6FT/5WIRE	6FT MC Cable w/ 3 leads attached to power & 2 leads attached to dimming
WHIP/6FT/6WIRE	6FT MC Cable w/ 3 leads attached to power & 2 leads attached to dimming & 1 lead for use w/ Battery Backup
FI/ILBCP05	5W LED Factory Installed Battery Backup
FI/ILBCP07	7W LED Factory Installed Battery Backup
FI/ILBCP10	10W LED Factory Installed Battery Backup
FI/ILBCP12	12W LED Factory Installed Battery Backup 2 leads for dimming & 1 for battery backup

CONTROLS

ES ²	EasySense Sensor
ES/PCD ³	EasySense Pre-Programmed Control Device
ES/WWS/DR	EasySense Dual Rocker Wireless Wall Switch
5E/CU/IL	Enlighted 5E Individual Lighting (IL) Sensor with Control Unit
5E/CU/CL	Enlighted 5E Connected Lighting (CL) Sensor with Control Unit
5E/CU/IOT	Enlighted 5E Internet of Things (IOT) Sensor with Control Unit
5E/5W/IL	Enlighted 5E Individual Lighting (IL) Sensor w/ Aux Driver/5 Wire Connection
5E/5W/CL	Enlighted 5E Connected Lighting (CL) Sensor w/ Aux Driver/5 Wire Connection
5E/5W/IOT	Enlighted 5E Internet of Things (IOT) Sensor w/ Aux Driver/5 Wire Connection
VDO ⁴	Lutron Vive DFCSJ-OEM-OCC (Daylight and Occupancy)
VRF ⁴	Lutron Vive DFCSJ-OEM-RF (Radio Frequency Only)

MOUNTING

FLGK	Flange Kit
HC	Hurricane Clips
SM	Surface Mount

¹Non-dimming function

²One needed per project

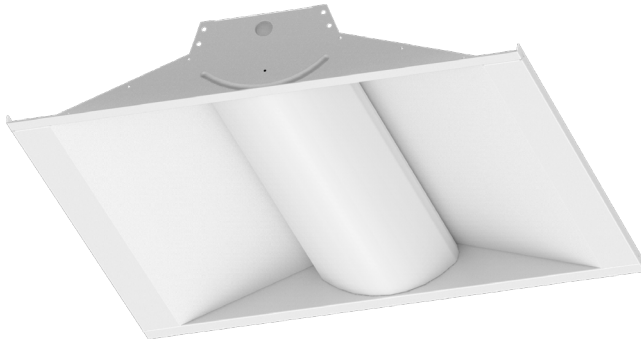
³Must be used with ES/PCD for commissioning

⁴Must be used with SR Sensor Ready Driver

Enhanced

VOLA - 2x2 Recessed Volumetric Troffer

VOLA 2X2



FEATURES

- Architecturally designed volumetric troffer
- Lightweight aluminum matte white finish body
- High transmission extruded PMMA frosted acrylic lens
- Recessed, Surface or Flange Mount
- Air Return Options
- Advanced Wireless Controls Options
- 2,400–7,500 Delivered Lumens
- High Efficacy—Up to 149 lm/W
- 3000K–5000K CCT
- 80 & 90 CRI Options
- Calculated L70 >100,000 hrs
- 0–10V Dimmable Driver
- 5 Year Warranty
- ETL Listed
- DesignLights Consortium® Premium Qualified Luminaire



SUITABLE APPLICATIONS

- Education
- Healthcare
- Offices
- Hallways
- Multipurpose Rooms
- Conference Rooms

PART NUMBER	LUMENS	WATTS	Lm/W	REPLACES	DLC LISTING
VOLA22-24L-U-40	2,435	17	145	2T8	PREMIUM
VOLA22-31L-U-40	3,069	21	146	2T8	PREMIUM
VOLA22-34L-U-40	3,373	25	139	3T8	PREMIUM
VOLA22-39L-U-40	3,924	29	135	3T8	PREMIUM
VOLA22-45L-U-40	4,547	34	135	4T8	PREMIUM
VOLA22-50L-U-40	4,989	37	136	2T5	PREMIUM
VOLA22-61L-U-40	6,065	46	132	3T5	PREMIUM
VOLA22-76L-U-40	7,553	56	135	4T5	PREMIUM

OPTIONS

ACCESSORIES

90CRI	90 CRI CCT
HV	347V High Voltage Driver
SR	Sensor Ready Driver
DR	DALI Ready Driver
BLD	Bi-Level Dimming Driver (2 hot leads)
LDE1	Lutron Hi-Lume Driver
DIM1	1% Dimming Driver
AR/W	Air Return / White Reveal
AR/B	Air Return / Black Reveal
WHIP/6FT/3WIRE ¹	6FT MC Cable w/ 3 leads attached to power
WHIP/6FT/4WIRE ¹	6FT MC Cable w/ 3 leads attached to power & 1 lead for use w/ Battery Backup
WHIP/6FT/5WIRE/600V	6FT MC Cable w/ 3 leads attached to power & 2 leads attached to dimming
WHIP/6FT/6WIRE/600V	6FT MC Cable w/ 3 leads attached to power & 2 leads attached to dimming & 1 lead for use w/ Battery Backup
FI/ILBCP05	5W LED Factory Installed Battery Backup
FI/ILBCP07	7W LED Factory Installed Battery Backup
FI/ILBCP10	10W LED Factory Installed Battery Backup
FI/ILBCP12	12W LED Factory Installed Battery Backup 2 leads for dimming & 1 for battery backup

CONTROLS

ES ²	EasySense Sensor
ES/PCD ³	EasySense Pre-Programmed Control Device
ES/WWWS/DR	EasySense Dual Rocker Wireless Wall Switch
5E/CU/IL	Enlighted 5E Individual Lighting (IL) Sensor with Control Unit
5E/CU/CL	Enlighted 5E Connected Lighting (CL) Sensor with Control Unit
5E/CU/IOT	Enlighted 5E Internet of Things (IOT) Sensor with Control Unit
5E/5W/IL	Enlighted 5E Individual Lighting (IL) Sensor w/ Aux Driver / 5 Wire Connection
5E/5W/CL	Enlighted 5E Connected Lighting (CL) Sensor w/ Aux Driver / 5 Wire Connection
5E/5W/IOT	Enlighted 5E Internet of Things (IOT) Sensor w/ Aux Driver / 5 Wire Connection
VDO ⁴	Lutron Vive DFCSJ-OEM-OCC (Daylight and Occupancy)
VRF ⁴	Lutron Vive DFCSJ-OEM-RF (Radio Frequency Only)

MOUNTING

FLGK	Flange Kit
HC	Hurricane Clips
SM	Surface Mount

¹Non-dimming function

²One needed per project

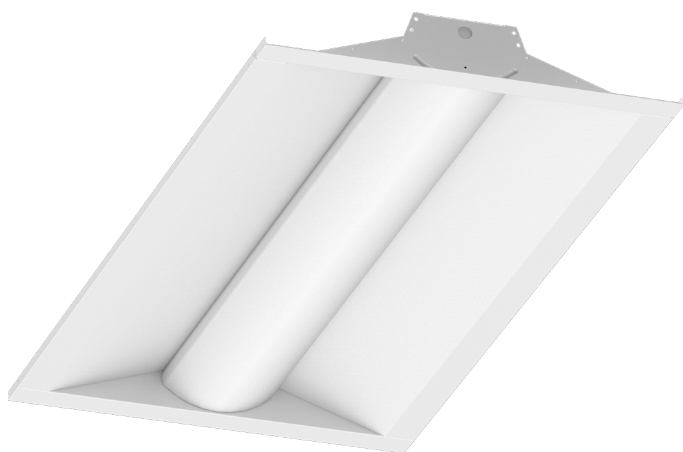
³Must be used with ES/PCD for commissioning

⁴Must be used with SR Sensor Ready Driver

VOLA - 2x4 Recessed Volumetric Troffer

Enhanced

VOLA 2x4



FEATURES

- Architecturally designed volumetric troffer
- Lightweight aluminum matte white finish body
- High transmission extruded PMMA frosted acrylic lens
- Recessed, Surface or Flange Mount
- Air Return Options
- Advanced Wireless Controls Options
- 2,900-10,400 Delivered Lumens
- High Efficacy—Up to 151 lm/W
- 3000K-5000K CCT
- 80 & 90 CRI Options
- Calculated L70 >100,000 hrs
- 0-10V Dimmable Driver
- 5 Year Warranty
- ETL Listed
- DesignLights Consortium® Premium Qualified Luminaire



SUITABLE APPLICATIONS

- Education
- Healthcare
- Offices
- Hallways
- Multipurpose Rooms
- Conference Rooms

PART NUMBER	LUMENS	WATTS	lm/W	REPLACES	DLC LISTING
VOLA24-29L-U-40	2,938	23	139	2T8	PREMIUM
VOLA24-34L-U-40	3,430	25	137	2T8	PREMIUM
VOLA24-43L-U-40	4,323	29	148	3T8	PREMIUM
VOLA24-49L-U-40	4,919	34	144	3T8	PREMIUM
VOLA24-53L-U-40	5,301	38	140	3T8	PREMIUM
VOLA24-62L-U-40	6,233	46	136	4T8	PREMIUM
VOLA24-79L-U-40	7,920	57	140	2T5	PREMIUM
VOLA24-86L-U-40	8,617	62	139	3T5	PREMIUM
VOLA24-104L-U-40	10,380	76	137	4T5	PREMIUM

OPTIONS

ACCESSORIES

90CRI	90 CRI CCT
HV	347V High Voltage Driver
SR	Sensor Ready Driver
DR	DALI Ready Driver
BLD	Bi-Level Dimming Driver (2 hot leads)
LDE1	Lutron Hi-Lume Driver
DIM1	1% Dimming Driver
AR/W	Air Return / White Reveal
AR/B	Air Return / Black Reveal
WHIP/6FT/3WIRE ¹	6FT MC Cable w/ 3 leads attached to power
WHIP/6FT/4WIRE ¹	6FT MC Cable w/ 3 leads attached to power & 1 lead for use w/ Battery Backup
WHIP/6FT/5WIRE/600V	6FT MC Cable w/ 3 leads attached to power & 2 leads attached to dimming
WHIP/6FT/6WIRE/600V	6FT MC Cable w/ 3 leads attached to power & 2 leads attached to dimming & 1 lead for use w/ Battery Backup
FI/ILBCP05	5W LED Factory Installed Battery Backup
FI/ILBCP07	7W LED Factory Installed Battery Backup
FI/ILBCP10	10W LED Factory Installed Battery Backup
FI/ILBCP12	12W LED Factory Installed Battery Backup 2 leads for dimming & 1 for battery backup

CONTROLS

ES ²	EasySense Sensor
ES/PCD ³	EasySense Pre-Programmed Control Device
ES/WWS/DR	EasySense Dual Rocker Wireless Wall Switch
5E/CU/IL	Enlighted 5E Individual Lighting (IL) Sensor with Control Unit
5E/CU/CL	Enlighted 5E Connected Lighting (CL) Sensor with Control Unit
5E/CU/IOT	Enlighted 5E Internet of Things (IOT) Sensor with Control Unit
5E/5W/IL	Enlighted 5E Individual Lighting (IL) Sensor w/ Aux Driver / 5 Wire Connection
5E/5W/CL	Enlighted 5E Connected Lighting (CL) Sensor w/ Aux Driver / 5 Wire Connection
5E/5W/IOT	Enlighted 5E Internet of Things (IOT) Sensor w/ Aux Driver / 5 Wire Connection
VDO ⁴	Lutron Vive DFCSJ-OEM-OCC (Daylight and Occupancy)
VRF ⁴	Lutron Vive DFCSJ-OEM-RF (Radio Frequency Only)

MOUNTING

FLGK	Flange Kit
HC	Hurricane Clips
SM	Surface Mount

¹Non-dimming function

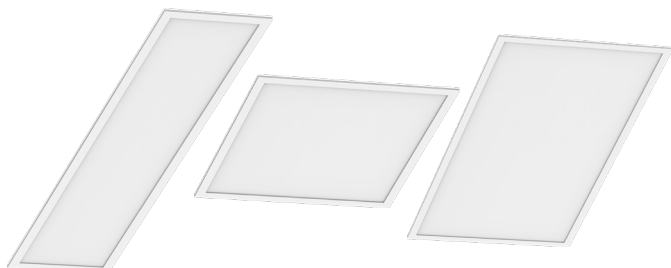
²One needed per project

³Must be used with ES/PCD for commissioning

⁴Must be used with SR Sensor Ready Driver

FLAT PANEL

FLAT PANEL



FEATURES

- 1x4, 2x2 & 2x4 Flat Panel
- Slim Low Profile Design with Seamless Frame
- Aluminum Post Painted Housing
- PMMA LGP Material—Non-Yellowing Lens
- Impact and Scratch Resistant Lens
- L₉₀=50,000 hrs - L₈₀ >100,000 hrs
 - 3x Life of Most Competition
- Controls Options
 - Bi-Level Dimming Module
 - Sensor Ready Module
 - DALI Ready Module
- 3500K & 4000K CCT
- 0-10V Dimmable Driver (100%-10%)
- 120-277V Universal Voltage
- IC Rated for Insulated Ceilings
- 7 Year Warranty
- UL Listed for Dry and Damp Locations
- DesignLights Consortium® Premium Qualified Luminaire



SUITABLE APPLICATIONS

- Education
- Healthcare
- Offices
- Hallways
- Multipurpose Rooms
- Conference Rooms

PART NUMBER

LUMENS

WATTS

Lm/W

REPLACES

DLC LISTING

PART NUMBER	LUMENS	WATTS	Lm/W	REPLACES	DLC LISTING
PAN14-20WLED-U-40	2,419	19	128	2T8	PREMIUM
PAN14-30WLED-U-40	3,894	30	126	2T8	PREMIUM
PAN22-20WLED-U-40	2,619	20	128	2T8	PREMIUM
PAN22-30WLED-U-40	3,941	31	127	3T8	PREMIUM
PAN24-30WLED-U-40	3,999	32	127	2T8	PREMIUM
PAN24-36WLED-U-40	4,553	36	127	3T8	PREMIUM

OPTIONS

ACCESSORIES

SR	Sensor Ready Driver
DR	DALI Ready Driver
BLD ¹	Bi-Level Dimming Driver (2 hot leads)
FI/ILBCP05	5W LED Factory Installed Battery Backup
FI/ILBCP07	7W LED Factory Installed Battery Backup
FI/ILBCP10	10W LED Factory Installed Battery Backup
FI/ILBCP12	12W LED Factory Installed Battery Backup
SD347	347V Step Down Transformer
WHIP/6FT/4WIRE	6ft 4 Wire MC Cable Whip with 3 leads attached to power & 1 lead for battery backup
WHIP/6FT/5WIRE	6ft 5 Wire MC Cable Whip with 3 leads attached to power & 2 leads attached to dimming
WHIP/6FT/6WIRE	6ft 6 Wire MC Cable with 3 leads for fixture power, 2 leads for dimming & 1 lead for battery backup

CONTROLS

SNS200CMP^{2,3} EasySense Grouping Ceiling Mount Sensor

MOUNTING

FLGK	Flange Kit
SM	Surface Mount

¹120V applications only

³Must be used with SR Sensor Ready Driver

²Can be wired to up to (4) fixtures with SR Option

VOLUMETRIC TROFFER



FEATURES

- Architectural design
- Steel housing
- White powder coat finish
- Integrated hurricane clips
- Frosted acrylic lens easily removes for cleaning
- Type I C (suitable for insulation contact)
- 3500K & 4000K CCT
- 0-10V Dimmable Driver (100%-5%)
- 120-277V Universal Voltage
- >80 Color Range Index (CRI)
- Calculated L70 >100,000 hrs
- 5 Year Warranty
- UL Listed
- DesignLights Consortium® Premium Qualified Luminaire

VOLUMETRIC
TROFFER



SUITABLE APPLICATIONS

- Education
- Healthcare
- Offices
- Hallways
- Multipurpose Rooms
- Conference Rooms

PART NUMBER	LUMENS	WATTS	Lm/W	REPLACES	DLC LISTING
VOL22-24WLED-UNIV-40	2,898	23	126	2T8	PREMIUM
VOL22-30WLED-UNIV-40	3,780	30	126	3T8	PREMIUM
VOL24-30WLED-UNIV-40	3,780	30	126	2T8	PREMIUM
VOL24-34WLED-UNIV-40	4,590	34	135	3T8	PREMIUM
VOL24-56WLED-UNIV-40	7,004	56	125	4T8	PREMIUM

OPTIONS

ACCESSORIES

FI/ILBCP05	5W LED Factory Installed Battery Backup
FI/ILBCP07	7W LED Factory Installed Battery Backup
FI/ILBCP10	10W LED Factory Installed Battery Backup
FI/ILBCP12	12W LED Factory Installed Battery Backup
SD347 ¹	347V Step Down Transformer
WHIP/6FT ²	6ft MC Cable Whip w/ 3 Leads
WHIP/6FT/4WIRE ²	6ft 4 Wire MC Cable Whip w/ 3 leads attached to power & 1 lead for battery backup
WHIP/6FT/5WIRE	6ft 5 Wire MC Cable Whip w/ 3 leads attached to power & 2 leads attached to dimming
WHIP/6FT/6WIRE	6ft 6 Wire MC Cable w/ 3 leads for fixture power & 2 leads for dimming & 1 for battery backup

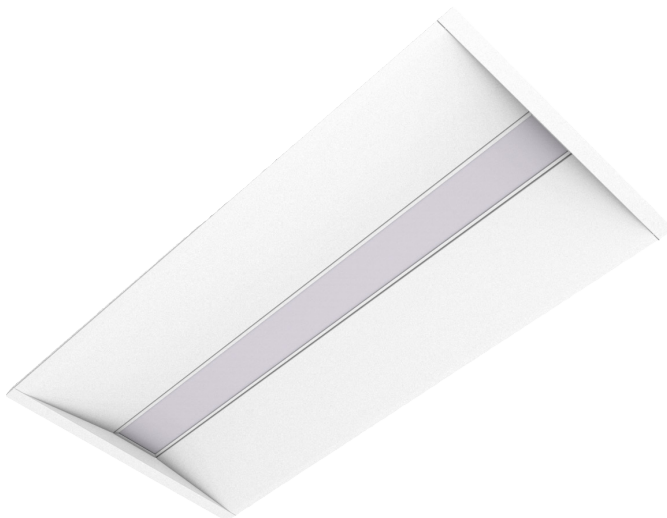
MOUNTING

FLGK Flange Kit

¹Does not qualify for DLC
²Non-dimming function

FLAT LENS TROFFER

FLAT LENS TROFFER



FEATURES

- Architectural design
- .040 aluminum pre-painted housing
- Post paint available
- Flat frosted acrylic lens
- TypeIC (suitable for insulation contact)
- 3000K-4000K CCT
- 0-10V Dimmable Driver (100%-5%)
- 120-277V Universal Voltage
- >80 Color Range Index (CRI)
- Calculated L₇₀ >100,000 hrs
- 5 Year Warranty
- ETL Listed
- DesignLights Consortium® Premium Qualified Luminaire



SUITABLE APPLICATIONS

- Schools
- Hallways
- Multipurpose Rooms
- Offices
- Conference Rooms

PART NUMBER

PART NUMBER	LUMENS	WATTS	Lm/W	REPLACES	DLC LISTING
FLT14-19WLED-UNIV-40	2,341	19	125	1T8	STANDARD
FLT14-30WLED-UNIV-40	3,609	30	120	2T8	STANDARD
FLT14-45WLED-UNIV-40	5,027	45	112	3T8	STANDARD
FLT22-19WLED-UNIV-40	2,319	19	124	2T8	STANDARD
FLT22-30WLED-UNIV-40	3,557	30	119	3T8	STANDARD
FLT22-45WLED-UNIV-40	4,802	45	107	4T8	STANDARD
FLT24-26WLED-UNIV-40	3,168	26	124	2T8	PREMIUM
FLT24-35WLED-UNIV-40	4,171	35	119	2T8	STANDARD
FLT24-45WLED-UNIV-40	4,802	45	108	3T8	STANDARD

OPTIONS

ACCESSORIES

SR	Sensor Ready Driver
DR	DALI Ready Driver
BLD	Bi-Level Dimming Driver (2 hot leads)
POSTP	Post Painted Aluminum
FI/ILBCP05	5W LED Factory Installed Battery Backup
FI/ILBCP07	7W LED Factory Installed Battery Backup
FI/ILBCP10	10W LED Factory Installed Battery Backup
FI/ILBCP12	12W LED Factory Installed Battery Backup
SD347 ¹	347V Step Down Transformer
WHIP/6FT ⁵	6ft MC Cable Whip w/ 3 Leads
WHIP/6FT/4WIRE ⁵	6ft 4 Wire MC Cable Whip with 3 leads attached to power & 1 lead for battery backup
WHIP/6FT/5WIRE	6ft 5 Wire MC Cable Whip with 3 leads attached to power & 2 leads attached to dimming
WHIP/6FT/6WIRE	6ft 6 Wire MC Cable with 3 leads for fixture power, 2 leads for dimming & 1 lead for battery backup

CONTROLS

ES ²	EasySense Sensor
ES/WWS/DR	EasySense Dual Rocker Wireless Wall Switch
ES/PCD ³	Pre-installed app on controlled device for commissioning
VDO ⁴	Lutron Vive DFCSJ-OEM-OCC (Daylight & Occupancy)
VRF ⁴	Lutron Vive DFCSJ-OEM-RF (RF Only)

MOUNTING

FLGK	Flange Kit
HC	Hurricane Clips
SM	Surface Mount

¹Does not qualify for DLC

⁵Must be used with ES/PCD for commissioning

²One needed per project

⁴Must be used with SR Driver

³Non-dimming function

RTR TROFFER RETROFIT KIT



Standard

Shown with Frosted Acrylic Lens

FEATURES

- One-piece construction, 2 minute install
- Designed for Prismatic & Parabolic Troffers
- Fits between the socket bars
- 2x2 & 2x4 sizes available
- 2,000–4,800 Lumen Packages
- High Efficacy—Up to 167 lm/W
- 3500K & 4000K CCT
- 0–10V 120–277V Dimmable Driver
- Frosted lens option to remove shadowing and pixilation
- >80 Color Range Index (CRI)
- Calculated L70 >100,000 hrs
- 5 Year Warranty
- ETL Listed
- DesignLights Consortium® Premium Qualified Luminaire

RTR TROFFER
RETROFIT KIT



SUITABLE APPLICATIONS

- Education
- Healthcare
- Offices
- Hallways
- Multipurpose Rooms
- Conference Rooms

PART NUMBER	LUMENS	WATTS	Lm/W	REPLACES	DLC LISTING
RTR22040-03	2,428	16	150	2T8	PREMIUM
RTR22540-03	2,739	19	148	2T8	PREMIUM
RTR24040-03	4,392	32	136	3T8	PREMIUM
RTR43040-03	3,420	20	167	2T8	PREMIUM
RTR44040-03	4,066	26	160	2T8	PREMIUM
RTR44540-03	4,844	32	151	3T8	PREMIUM

OPTIONS

ACCESSORIES

- L Frosted Acrylic Lens
- SR Sensor Ready Driver
- BLD Bi-Level Dimming Driver (2 hot leads)
- E 7W LED Battery Backup
- SD347¹ 347V Step Down Transformer

CONTROLS

- MWS Bi-Level Dimming Microwave Sensor
- VRF² Lutron Vive DFCSJ-OEM-RF (RF Only)

¹Does not qualify for DLC

²Must be used with SR Sensor Ready Driver

BIF - Built In Frame



BIF



FEATURES

- LED Retrofit Kit for recessed troffer applications
- Five piece design delivers seamless finish
- Average install time less than five minutes
- Frosted acrylic lens
- 2x2 & 2x4 sizes available
- >80 Color Rendering Index (CRI)
- Calculated L70 >100,000 hrs
- 0-10V Dimmable Driver (100%-10%)
- 5 Year Warranty
- UL Classified for Damp Locations
- DesignLights Consortium® Premium Qualified Luminaire



SUITABLE APPLICATIONS

- Education
- Healthcare
- Offices
- Hallways
- Multipurpose Rooms
- Conference Rooms

PART NUMBER

LUMENS

WATTS

Lm/W

REPLACES

DLC

PART NUMBER	LUMENS	WATTS	Lm/W	REPLACES	DLC
BIF22-25WLED-UNIV-40	3,000	23	130	2T8	PREMIUM
BIF24-30WLED-UNIV-40	3,900	30	130	2T8	PREMIUM
BIF24-37WLED-UNIV-40	4,752	36	132	3T8	PREMIUM

OPTIONS

ACCESSORIES

- ILBCP05 5W LED Field Installed Battery Backup
- ILBCP07 7W LED Field Installed Battery Backup
- ILBCP10 10W LED Field Installed Battery Backup
- ILBCP12 12W LED Field Installed Battery Backup

LANCE 1x4 - Latch & Close

LANCE 1X4

FEATURES



- Troffer Retrofit Kit for recessed lighting applications
- One-piece unit with two universal mounting brackets
- Average install time less than 3 minutes
- Lightweight aluminum matte white finish body
- High transmission extruded PMMA frosted acrylic lens
- Air Return Options
- Advanced Wireless Control Options
- 2,300–6,200 Delivered Lumens
- High Efficacy—Up to 149 lm/W
- 3000K–5000K CCT
- 80 & 90 CRI Options
- Calculated L70 >100,000 hrs
- 0–10V Dimmable Driver (Dims to 10%)
- 5 Year Warranty
- ETL Listed for UL1598C
- DesignLights Consortium® Premium Qualified Luminaire



SUITABLE APPLICATIONS

- Education
- Healthcare
- Offices
- Hallways
- Multipurpose Rooms
- Conference Rooms

PART NUMBER

LUMENS

WATTS

Lm/W

REPLACES

DLC LISTING

PART NUMBER	LUMENS	WATTS	Lm/W	REPLACES	DLC LISTING
LANCE14-23L-U-40	2,277	17	137	1T8	PREMIUM
LANCE14-29L-U-40	2,892	21	137	2T8	PREMIUM
LANCE14-40L-U-40	3,952	29	136	2T8	PREMIUM
LANCE14-49L-U-40	4,947	38	130	3T8	PREMIUM
LANCE14-61L-U-40	6,059	45	133	3T8	PREMIUM

OPTIONS

ACCESSORIES

90CRI	90 CRI CCT
HV	High Voltage Driver
SR	Sensor Ready Driver
DR	DALI Ready Driver
BLD	Bi-Level Dimming Driver (2 hot leads)
LDE1	Lutron Hi-Lume Driver
DIM1	1% Dimming Driver
AR/W	Air Return / White Reveal
AR/B	Air Return / Black Reveal
POSTP	Post Painted Aluminum
ILBCP05	5W LED Field Installed Battery Backup
ILBCP07	7W LED Field Installed Battery Backup
ILBCP10	10W LED Field Installed Battery Backup
ILBCP12	12W LED Field Installed Battery Backup

CONTROLS

ES ¹	EasySense Sensor
ES/WWS/DR	EasySense Dual Rocker Wireless Wall Switch
ES/PCD ²	Pre-installed app on controlled device for commissioning
VDO ³	Lutron Vive DFCSJ-OEM-OCC (Daylight & Occupancy)
VRF ³	Lutron Vive DFCSJ-OEM-RF (RF Only)
5E/CU/IL	Enlighted 5E Individual Lighting (IL) Sensor with Control Unit
5E/CU/CL	Enlighted 5E Connected Lighting (CL) Sensor with Control Unit
5E/CU/IOT	Enlighted 5E Internet of Things (IOT) Sensor with Control Unit
5E/5W/IL	Enlighted 5E Individual Lighting (IL) Sensor with Aux Driver/5 Wire Connection
5E/5W/CL	Enlighted 5E Connected Lighting (CL) Sensor with Aux Driver/5 Wire Connection
5E/5W/IOT	Enlighted 5E Internet of Things (IOT) Sensor with Aux Driver/5 Wire Connection

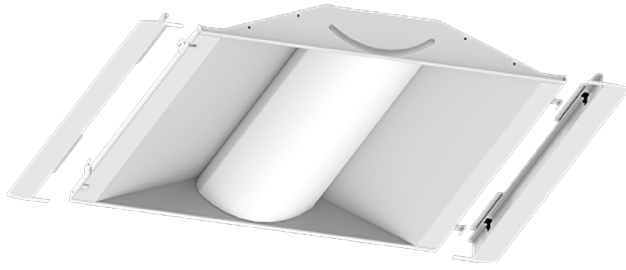
¹Must be used with ES/PCD for commissioning
²One needed per project

³Must be used with SR Sensor Ready Driver

Enhanced

LANCE 2x2 - Latch & Close

LANCE 2x2



FEATURES

- Troffer Retrofit Kit for recessed lighting applications
- One-piece unit with two universal mounting brackets
- Average install time less than 3 minutes
- Lightweight aluminum matte white finish body
- High transmission extruded PMMA frosted acrylic lens
- Air Return Options
- Advanced Wireless Control Options
- 2,400–4,800 Delivered Lumens
- High Efficacy—Up to 149 lm/W
- 3000K–5000K CCT
- 80 & 90 CRI Options
- Calculated L70 >100,000 hrs
- 0–10V Dimmable Driver (Dims to 10%)
- 5 Year Warranty
- ETL Listed for UL1598C
- DesignLights Consortium® Premium Qualified Luminaire



enlighted
A Siemens Company



SUITABLE APPLICATIONS

- Education
- Healthcare
- Offices
- Hallways
- Multipurpose Rooms
- Conference Rooms

PART NUMBER	LUMENS	WATTS	Lm/W	REPLACES	DLC LISTING
LANCE22-24L-U-40	2,448	17	144	2T8	PREMIUM
LANCE22-31L-U-40	3,120	21	147	2T8	PREMIUM
LANCE22-34L-U-40	3,394	25	137	3T8	PREMIUM
LANCE22-37L-U-40	3,717	27	139	3T8	PREMIUM
LANCE22-48L-U-40	4,789	34	140	4T8	PREMIUM

OPTIONS

ACCESSORIES

90CRI	90 CRI CCT
HV	High Voltage Driver
SR	Sensor Ready Driver
DR	DALI Ready Driver
BLD	Bi-Level Dimming Driver (2 hot leads)
LDE1	Lutron Hi-Lume Driver
DIM1	1% Dimming Driver
AR/W	Air Return / White Reveal
AR/B	Air Return / Black Reveal
POSTP	Post Painted Aluminum
ILBCP05	5W LED Field Installed Battery Backup
ILBCP07	7W LED Field Installed Battery Backup
ILBCP10	10W LED Field Installed Battery Backup
ILBCP12	12W LED Field Installed Battery Backup

CONTROLS

ES ¹	EasySense Sensor
ES/WWS/DR	EasySense Dual Rocker Wireless Wall Switch
ES/PCD ²	Pre-installed app on controlled device for commissioning
VDO ³	Lutron Vive DFCSJ-OEM-OCC (Daylight & Occupancy)
VRF ³	Lutron Vive DFCSJ-OEM-RF (RF Only)
5E/CU/IL	Enlighted 5E Individual Lighting (IL) Sensor with Control Unit
5E/CU/CL	Enlighted 5E Connected Lighting (CL) Sensor with Control Unit
5E/CU/IOT	Enlighted 5E Internet of Things (IOT) Sensor with Control Unit
5E/5W/IL	Enlighted 5E Individual Lighting (IL) Sensor with Aux Driver/5 Wire Connection
5E/5W/CL	Enlighted 5E Connected Lighting (CL) Sensor with Aux Driver/5 Wire Connection
5E/5W/IOT	Enlighted 5E Internet of Things (IOT) Sensor with Aux Driver/5 Wire Connection

¹Must be used with ES/PCD for commissioning
²One needed per project

³Must be used with SR Sensor Ready Driver

LANCE 2x4 - Latch & Close

Enhanced

LANCE 2x4



FEATURES

- Troffer Retrofit Kit for recessed lighting applications
- One-piece unit with two universal mounting brackets
- Average install time less than 3 minutes
- Lightweight aluminum matte white finish body
- High transmission extruded PMMA frosted acrylic lens
- Air Return Options
- Advanced Wireless Control Options
- 3,000–6,200 Delivered Lumens
- High Efficacy—Up to 149 lm/W
- 3000K–5000K CCT
- 80 & 90 CRI Options
- Calculated L70 >100,000 hrs
- 0–10V Dimmable Driver (Dims to 10%)
- 5 Year Warranty
- ETL Listed for UL1598C
- DesignLights Consortium® Premium Qualified Luminaire



SUITABLE APPLICATIONS

- Education
- Healthcare
- Offices
- Hallways
- Multipurpose Rooms
- Conference Rooms

PART NUMBER	LUMENS	WATTS	Lm/W	REPLACES	DLC LISTING
LANCE24-30L-U-40	3,004	21	141	1T8	PREMIUM
LANCE24-37L-U-40	3,738	27	140	2T8	PREMIUM
LANCE24-43L-U-40	4,339	29	149	2T8	PREMIUM
LANCE24-49L-U-40	4,892	34	144	2T8	PREMIUM
LANCE24-54L-U-40	5,373	40	136	3T8	PREMIUM
LANCE24-62L-U-40	6,222	46	137	3T8	PREMIUM

OPTIONS

ACCESSORIES

90CRI	90 CRI CCT
HV	High Voltage Driver
SR	Sensor Ready Driver
DR	DALI Ready Driver
BLD	Bi-Level Dimming Driver (2 hot leads)
LDE1	Lutron Hi-Lume Driver
DIM1	1% Dimming Driver
AR/W	Air Return / White Reveal
AR/B	Air Return / Black Reveal
POSTP	Post Painted Aluminum
ILBCP05	5W LED Field Installed Battery Backup
ILBCP07	7W LED Field Installed Battery Backup
ILBCP10	10W LED Field Installed Battery Backup
ILBCP12	12W LED Field Installed Battery Backup

CONTROLS

ES ¹	EasySense Sensor
ES/WWS/DR	EasySense Dual Rocker Wireless Wall Switch
ES/PCD ²	Pre-installed app on controlled device for commissioning
VDO ³	Lutron Vive DFCSJ-OEM-OCC (Daylight & Occupancy)
VRF ³	Lutron Vive DFCSJ-OEM-RF (RF Only)
5E/CU/IL	Enlighted 5E Individual Lighting (IL) Sensor with Control Unit
5E/CU/CL	Enlighted 5E Connected Lighting (CL) Sensor with Control Unit
5E/CU/IOT	Enlighted 5E Internet of Things (IOT) Sensor with Control Unit
5E/5W/IL	Enlighted 5E Individual Lighting (IL) Sensor with Aux Driver/5 Wire Connection
5E/5W/CL	Enlighted 5E Connected Lighting (CL) Sensor with Aux Driver/5 Wire Connection
5E/5W/IOT	Enlighted 5E Internet of Things (IOT) Sensor with Aux Driver/5 Wire Connection

¹Must be used with ES/PCD for commissioning
²One needed per project

³Must be used with SR Sensor Ready Driver

TURBO LANCE RETROFIT KIT

TURBO LANCE RETROFIT KIT



(Air Handling)
(No Rails)

FEATURES

- Troffer Retrofit Kit for recessed lighting applications
- One-piece unit with two universal mounting brackets
- Average install time less than 3 minutes
- Lightweight aluminum matte white finish body
- High transmission extruded PMMA frosted acrylic lens
- Air Return Options
- Advanced Wireless Control Options
- 1x4, 2x2 & 2x4 sizes available
- 2,300–6,200 Delivered Lumens
- High Efficacy—Up to 149 lm/W
- 3000K–5000K CCT
- 80 & 90 CRI Options
- Calculated L70 >100,000 hrs
- 0–10V Dimmable Driver (Dims to 10%)
- 5 Year Warranty
- ETL Listed for UL1598C
- DesignLights Consortium® Premium Qualified Luminaire



SUITABLE APPLICATIONS

- Education
- Healthcare
- Offices
- Hallways
- Multipurpose Rooms
- Conference Rooms

PROCESS

1) Fill Out Form

2) Send Door Frame and/or Fixture to be Molded

Job Name: _____

Qty of Fixtures: _____

Distributor/REP: _____

Phone Number: _____

Fixture Dimensions: Length: _____ Width: _____ Depth: _____

Parabolic Dimensions: Length: _____ Width: _____ Depth: _____

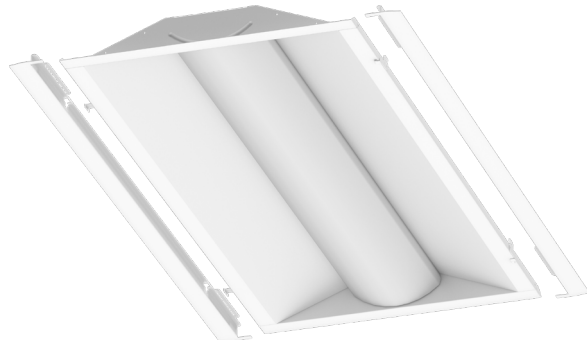
When will a sample fixture and/or parabolic be sent to the factory? _____

Desired Wattage: _____ Color Temperature: _____ Voltage: _____

Desired Lumens: _____ Sensor: _____ Dimming: _____

Air Handling: Picture of Housing:

VLN - VALUE LANCE



FEATURES

- LED Retrofit Kit for recessed lighting applications
- One-piece unit with two universal mounting brackets
- Universal brackets allow for installation in grid or hard lid ceilings
- Average install time less than 3 minutes
- Frosted acrylic lens
- Advanced Control Option
- 2x2 & 2x4 sizes available
- 3500K & 4000K CCT
- >80 Color Rendering Index (CRI)
- Calculated L70 >100,000 hrs
- 0-10V Dimmable Driver (100%-10%)
- 120-277V Universal Driver
- 5 Year Warranty
- UL Classified for Damp Locations
- DesignLights Consortium® Premium Qualified Luminaire

VALUE LANCE



SUITABLE APPLICATIONS

- Education
- Healthcare
- Offices
- Hallways
- Multipurpose Rooms
- Conference Rooms

PART NUMBER

LUMENS

WATTS

Lm/W

REPLACES

DLC LISTING

PART NUMBER	LUMENS	WATTS	Lm/W	REPLACES	DLC LISTING
VLN22-3L-U-40	3,295	25	134	2T8	PREMIUM
VLN22-4L-U-40	4,511	35	129	3T8	PREMIUM
VLN24-3L-U-40	3,375	25	137	2T8	PREMIUM
VLN24-4L-U-40	4,590	35	132	3T8	PREMIUM
VLN24-7L-U-40	6,782	52	129	4T8	PREMIUM

OPTIONS

ACCESSORIES

- SR Sensor Ready Driver
- DR DALI Ready Driver
- BLD¹ Bi-Level Dimming Driver (2 hot leads)
- FI/ILBCP05 5W LED Factory Installed Battery Backup
- FI/ILBCP07 7W LED Factory Installed Battery Backup
- FI/ILBCP10 10W LED Factory Installed Battery Backup
- FI/ILBCP12 12W LED Factory Installed Battery Backup

CONTROLS

- ES² EasySense Sensor
- ES/WWS/DR EasySense Dual Rocker Wireless Wall Switch
- ES/PCD³ Pre-installed app on controlled device for commissioning

¹Does not qualify for DLC

²One Needed per project

³Must be used with ES/PCD for commissioning

FLAT LENS TROFFER RETROFIT

FLAT LENS TROFFER RETROFIT



FEATURES

- Architectural design
- One piece unit w/ universal mounting brackets for rapid installation
- Flat frosted acrylic lens
- .040 aluminum pre-painted housing
- Post paint available
- Average install time: less than 3 minutes
- 3000K-4000K CCT
- 0-10V Dimmable Driver (100%-5%)
- 120-277V Universal Voltage
- >80 Color Range Index (CRI)
- Calculated L70 > 100,000 hrs
- 5 Year Warranty
- ETL Listed
- DesignLights Consortium® Qualified Luminaire



SUITABLE APPLICATIONS

- Education
- Healthcare
- Offices
- Hallways
- Multipurpose Rooms
- Conference Rooms

PART NUMBER

LUMENS

WATTS

Lm/W

REPLACES

DLC LISTING

PART NUMBER	LUMENS	WATTS	Lm/W	REPLACES	DLC LISTING
FLTR14-19WLED-UNIV-40	2,341	19	125	1T8	STANDARD
FLTR14-30WLED-UNIV-40	3,609	30	120	2T8	STANDARD
FLTR14-45WLED-UNIV-40	5,027	45	112	3T8	STANDARD
FLTR22-19WLED-UNIV-40	2,319	19	124	2T8	STANDARD
FLTR22-30WLED-UNIV-40	3,557	30	119	3T8	STANDARD
FLTR22-45WLED-UNIV-40	4,802	45	107	4T8	STANDARD
FLTR24-26WLED-UNIV-40	3,168	26	126	2T8	PREMIUM
FLTR24-35WLED-UNIV-40	4,171	35	121	3T8	STANDARD
FLTR24-45WLED-UNIV-40	4,832	45	110	4T8	STANDARD

OPTIONS

ACCESSORIES

POSTP	Post Painted Aluminum
SR	Sensor Ready Driver
DR	DALI Ready Driver
BLD	Bi-Level Dimming Driver (2 hot leads)
FI/ILBCP05	5W LED Factory Installed Battery Backup
FI/ILBCP07	7W LED Factory Installed Battery Backup
FI/ILBCP10	10W LED Factory Installed Battery Backup
FI/ILBCP12	12W LED Factory Installed Battery Backup
SD347 ¹	347V Step Down Transformer
SD480 ¹	480V Step Down Transformer

CONTROLS

ES ²	EasySense Sensor
ES/WWS/DR	EasySense Dual Rocker Wireless Wall Switch
ES/PCD ³	Pre-installed app on controlled device for commissioning
VDO ⁴	Lutron Vive DFCSJ-OEM-OCC (Daylight & Occupancy)
VRF ⁴	Lutron Vive DFCSJ-OEM-RF (RF Only)

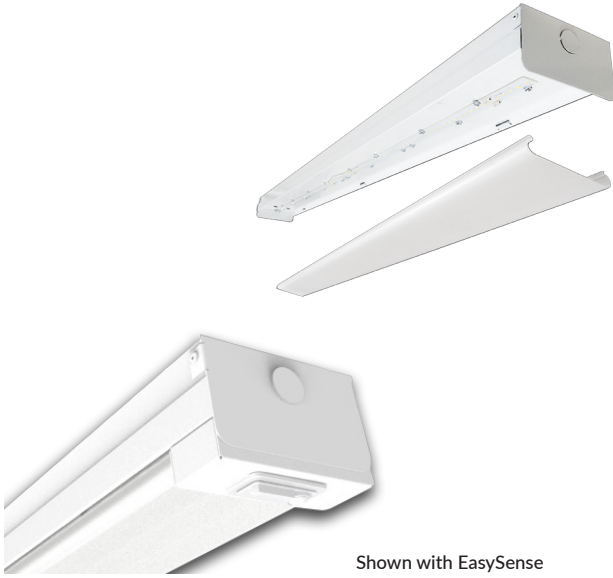
¹Does not qualify for DLC

²Must be used with ES/PCD for commissioning

³One needed per project

⁴Must be used with SR Driver

Z SERIES LOW PROFILE STRIP



Shown with EasySense

FEATURES

- Durable steel construction
- Frosted acrylic lens available
- 4ft & 8ft options available
- Multiple dimming & sensor options to fully control occupied & unoccupied light levels
- 3000K-5000K CCT
- 120-277V Universal Voltage
- 0-10V Dimmable Driver (100%-10%)
- Single (4ft) or dual pendant (4ft & 8ft), surface mount and cable hanging options
- >80 Color Range Index (CRI)
- L90>54,000 hrs
- 5 Year Warranty
- ETL Listed for Dry and Damp Locations
- DesignLights Consortium® Premium Qualified Luminaire

Z SERIES LOW PROFILE STRIP



SUITABLE APPLICATIONS

- Schools
- Warehouses or Distribution Centers
- Grocery Stores
- Stairwells (W/ USBD Sensor)
- Retail Applications
- Manufacturing Plants

PART NUMBER	LUMENS	WATTS	Lm/W	REPLACES	DLC LISTING
FZ4-20W-U-40	3,635	22	163	2T8	PREMIUM
FZ4-32W-U-40	5,241	33	162	1T5HO	PREMIUM
FZ4-40W-U-40	6,819	41	168	3T8	PREMIUM
FZ4-55W-U-40	8,626	54	159	2T5HO	PREMIUM
FZ8-40W-U-40	7,057	44	161	4T8	PREMIUM
FZ8-64W-U-40	10,521	64	164	2T5HO	PREMIUM
FZ8-80W-U-40	13,783	82	169	6T8	PREMIUM
FZ8-110W-U-40	17,128	108	159	4T5HO	PREMIUM

OPTIONS

ACCESSORIES

FRAL	Frosted Acrylic Lens
SR	Sensor Ready Driver
DR	DALI Ready Driver
BLD	Bi-Level Dimming Driver (2 hot leads)
WC ¹	11 Ga Wire Cage
RACEWAY/3WIRE ^{2,9}	3 Wire Raceway Wiring Harness
RACEWAY/5WIRE ²	5 Wire Raceway Wiring Harness
FI/ILBCP07	7W LED Factory Installed Battery Backup
FI/ILBCP10	10W LED Factory Installed Battery Backup
FI/ILBCP12	12W LED Factory Installed Battery Backup
SD347 ¹	347V Step Down Transformer
SD480 ¹	480V Step Down Transformer

CONTROLS

FIOS	On/Off Occupancy Sensor Installed
USB	User Select Bi-Level Dim Occ. Sensor
BDxx	Preset Bi-Level Dim Sensor (xx=% eg. 20,30)
BDxxPC	Preset Bi-Level Dim Sensor w/ Photocell
DHPC ³	Daylight Harvesting
ES ⁴	EasySense Sensor (8'-10' mounting height)
ES/HB ^{3,4}	EasySense High Bay Sensor (15'-50' mounting height)
ES/WWWS/DR	EasySense Dual Rocker Wireless Wall Switch
ES/PCD ⁵	Pre-installed app on controlled device for commissioning
VDO ⁶	Lutron Vive DFCSJ-OEM-OCC (Daylight & Occupancy)
VRF ⁶	Lutron Vive DFCSJ-OEM-RF (RF Only)

MOUNTING

FMB ⁷	Fixture Mounting Box (Requires HUB for Single Point Mounting)
HUB 3/4	3/4" Conduit Hub (1 per 4ft section)
HB-XX-18Y-PAD	Y-Toggle Cable System (xx=inches)
ALBR ⁸	Alignment Bracket
QMBR	Quick Mount Bracket for Surface Mounting (set of 2)

¹Does not qualify for DLC

²For continuous wiring through fixtures

³End fixture mounted

⁴Must be used with ES/PCD for commissioning

⁵One needed per project

⁶Must be used with SR Driver

⁷Available for 4ft only

⁸Used only when mounting fixtures in continuous rows

⁹Non-dimming function

Z SERIES LOW PROFILE STRIP RETROFIT KIT

Z SERIES STRIP RETROFIT KIT



FEATURES

- Durable steel construction
- Frosted acrylic lens available
- 4ft & 8ft available
- Multiple dimming & sensor options to fully control occupied & unoccupied light levels
- 3000K-5000K CCT
- 120-277V Universal Voltage
- 0-10V Dimmable Driver (100%-10%)
- >80 Color Range Index (CRI)
- L90>54,000 hrs
- 5 Year Warranty
- ETL Listed for Dry and Damp Locations
- DesignLights Consortium® Premium Qualified Luminaire
- Parts Included in this kit: 4ft/8ft
 - LED Channel x 1 / x 1
 - LED Driver x 1 / x 1- x 2
 - LED Driver Plate x 1 / x 1- x 2
 - Fixture ID Label x 1 / x 1
 - Self-drilling Screws x 5 / x 5- x 7
 - Driver Screws x 2 / x 2- x 4
 - QDC Driver x 1 / x 1
 - QDC Power x 1 / x 1



SUITABLE APPLICATIONS

- Schools
- Warehouses or Distribution Centers
- Grocery Stores
- Manufacturing Plants
- Retail Applications

PART NUMBER	LUMENS	WATTS	Lm/W	REPLACES	DLC LISTING
RZ4-20W-U-40	3,635	22	163	2T8	PREMIUM
RZ4-32W-U-40	5,241	33	162	1T5HO	PREMIUM
RZ4-40W-U-40	6,819	41	168	3T8	PREMIUM
RZ4-55W-U-40	8,626	54	159	2T5HO	PREMIUM
RZ8-40W-U-40	7,057	44	161	4T8	PREMIUM
RZ8-64W-U-40	10,521	64	164	2T5HO	PREMIUM
RZ8-80W-U-40	13,783	82	169	6T8	PREMIUM
RZ8-110W-U-40	17,128	108	159	4T5HO	PREMIUM

OPTIONS

ACCESSORIES

FRAL	Frosted Acrylic Lens
WC ¹	11 Ga Wire Cage
SR	Sensor Ready Driver
DR	DALI Ready Driver
BLD	Bi-Level Dimming Driver (2 hot leads)
RACEWAY/3WIRE ^{2,6}	3 Wire Raceway Wiring Harness
RACEWAY/5WIRE ²	5 Wire Raceway Wiring Harness
FI/ILBCP07	7W LED Factory Installed Battery Backup
FI/ILBCP10	10W LED Factory Installed Battery Backup
FI/ILBCP12	12W LED Factory Installed Battery Backup
SD347 ¹	347V Step Down Transformer
SD480 ¹	480V Step Down Transformer

CONTROLS

USBD	User Select Bi-Level Dim Occ. Sensor
BDxx	Preset Bi-Level Dim Sensor (xx=% eg. 20,30)
BDxxPC	Preset Bi-Level Dim Sensor w/ Photocell
ES ⁴	EasySense Sensor (8'-10' mounting height)
ES/WWS/DR	EasySense Dual Rocker Wireless Wall Switch
ES/PCD ⁵	Pre-installed app on controlled device for commissioning
VDO ³	Lutron Vive DFCSJ-OEM-OCC (Daylight & Occupancy)
VRF ³	Lutron Vive DFCSJ-OEM-RF (RF Only)

¹Does not qualify for DLC
⁶For continuous wiring through fixtures

²Must be used with SR Driver
⁶Must be used with ES/PCD for commissioning

³One needed per project
⁴Non-dimming function

SLIM STRIP



Mounting Brackets (std.)

FEATURES

- Ultra slim 2.36" width architectural design LED Strip fixture
- Steel housing with white powder coat finish
- 4ft & 8ft lengths available
- Multiple dimming & sensor options to fully control occupied & unoccupied light levels
- Round frosted acrylic lens
- Ceiling, wall, or suspension mounting options
- Junction box cover included
- 3500K-5000K CCT
- 0-10V Dimmable Driver (100%-10%)
- >80 Color Range Index (CRI)
- Calculated L70 >100,000 hrs
- 120-277V Universal Voltage
- 5 Year Warranty
- UL Listed for Damp Locations
- DesignLights Consortium® Premium Qualified Luminaire

SLIM STRIP



SUITABLE APPLICATIONS

- Retail Applications
- Warehouses
- Schools
- Hallways
- Distribution Centers
- Manufacturing Facilities

PART NUMBER	LUMENS	WATTS	Lm/W	REPLACES	DLC LISTING
SS4-26WLED-U-40-FRAL	3,458	26	133	2T8	PREMIUM
SS4-35WLED-U-40-FRAL	4,655	35	133	1T5HO	PREMIUM
SS4-46WLED-U-40-FRAL	6,026	46	131	3T8	PREMIUM
SS8-46WLED-U-40-FRAL	6,118	46	133	1T12HO	PREMIUM
SS8-65WLED-U-40-FRAL	8,775	65	135	2T5HO	PREMIUM
SS8-90WLED-U-40-FRAL	11,790	90	131	4T8	PREMIUM

OPTIONS

ACCESSORIES

CORDX	Cord (x=ft)
CORD/6FT/5WIRE	6ft 5 Wire cord with 3 leads attached to power and 2 leads attached to dimming
CORD/6FT/6WIRE	6ft 6 Wire cord with 3 leads for fixture power, 1 lead for battery backup power, and 2 leads for dimming
CORD/6FT/L7-15P	6 foot cord with 277V, 15 Amp Twist Lock Plug
RACEWAY/3WIRE ^{1,6}	3 Wire Raceway Wiring Harness
RACEWAY/5WIRE ¹	5 Wire Raceway Wiring Harness
FI/ILBSLCP05	5W LED Factory Installed Slim Line Battery Backup
FI/ILBSLCP07 ²	7W LED Factory Installed Slim Line Battery Backup
FI/ILBSLCP10 ²	10W LED Factory Installed Slim Line Battery Backup
SD347 ³	347V Step Down Transformer
SD480 ³	480V Step Down Transformer

CONTROLS

FIOS ⁴	On/Off Occupancy Sensor Installed
BDxx ⁴	Preset Bi-Level Dim Sensor (xx=% eg. 20,30)
USBD ⁴	User Select Bi-Level Dim Occ. Sensor

MOUNTING

FMB ⁵	Fixture Mounting Box (Use with HUB for Single Point Mounting)
HUB 3/4 ⁷	¾" Conduit Hub (1 per 4ft section)
HB-XX-18Y-PAD	Y-Toggle Cable System (xx=inches)
ALBR	Alignment Bracket (Used only when mounting in continuous rows)

¹For continuous wiring through fixtures
⁶Not compatible with SS4

²Does not qualify for DLC
⁶End Fixture Mounted

³Available for 4ft only
⁴Non-dimming function

⁷Must be used with FMB

VALUE STRIP

VALUE STRIP



FEATURES

- Architectural 3.36" width design LED Strip fixture
- Steel housing with white powder coat finish
- 4ft & 8ft lengths available
- Multiple dimming & sensor options to fully control occupied & unoccupied light levels
- Round Frosted Acrylic Lens (FRAL (std.))
- Ceiling, wall or suspension mounting options
- Junction Box Cover Included
- 4000K & 5000K CCT
- 0-10V Dimmable Driver (100%-10%)
- 120-277V Universal Voltage
- >80 Color Range Index (CRI)
- Calculated L70 >100,000 hrs
- 5 Year Warranty
- UL Listed for Damp Locations
- DesignLight Consortium® Premium Qualified Luminaire



SUITABLE APPLICATIONS

- Retail Applications
- Warehouses
- Schools
- Hallways
- Distribution Centers
- Manufacturing Facilities

PART NUMBER	LUMENS	WATTS	Lm/W	REPLACES	DLC LISTING
VS4-25WLED-U-40-FRAL	3,325	25	133	2T8	PREMIUM
VS4-35WLED-U-40-FRAL	4,620	35	132	1T5HO	PREMIUM
VS4-46WLED-U-40-FRAL	5,980	46	130	3T8	PREMIUM
VS8-46WLED-U-40-FRAL	5,980	46	130	1T12HO	PREMIUM
VS8-65WLED-U-40-FRAL	8,580	65	132	2T5HO	PREMIUM
VS8-90WLED-U-40-FRAL	11,700	90	130	4T8	PREMIUM

OPTIONS

ACCESSORIES

CORDX	Cord (x=ft)
CORD/6FT/5WIRE	6ft 5 Wire cord with 3 leads attached to power and 2 leads attached to dimming
CORD/6FT/6WIRE	6ft 6 Wire cord with 3 leads for fixture power, 1 lead for battery backup power, and 2 leads for dimming
CORD/6FT/L7-15P	6 foot cord with 277V, 15 Amp Twist Lock Plug
RACEWAY/3WIRE ^{1,5}	3 Wire Raceway Wiring Harness
RACEWAY/5WIRE ¹	5 Wire Raceway Wiring Harness
FI/ILBCP07	7W LED Factory Installed Battery Backup
FI/ILBCP10	10W LED Factory Installed Battery Backup
SD347 ²	347V Step Down Transformer
SD480 ²	480V Step Down Transformer
WC ²	11 Ga Wire Cage

CONTROLS

FIOS ³	On/Off Occupancy Sensor Installed
BDxx ³	Preset Bi-Level Dim Sensor (xx=% eg. 20,30)
USBD ³	User Select Bi-Level Dim Occ. Sensor

MOUNTING

FMB ⁴	Fixture Mounting Box (Use with HUB for Single Point Mounting)
HUB 3/4 ⁶	3/4" Conduit Hub (1 per 4ft section)
HB-XX-18Y-PAD	Y-Toggle Cable System (xx=inches)
ALBR	Alignment Bracket (Used only when mounting in continuous rows)

¹For continuous wiring through fixtures
²Does not qualify for DLC

³End Fixture Mounted
⁴Available for 4ft only

⁵Non-dimming function
⁶Must be used with FMB

X SERIES STRIP



X SERIES

FEATURES

- Available in 4ft & 8ft Lengths:
 - Slim Version—2.9" Wide (FXS)
 - Wide Version—4.4" Wide (FX)
- Durable Steel Construction
- Patent Pending Integrated Light Engine Design
- 120-277 Universal Voltage (Non-Dimmable)
- High Efficacy—Up to 152 lm/W
- 4000K & 5000K CCT
- >80 Color Range Index (CRI)
- Calculated L70 >100,000 hrs
- 5 Year Warranty
- ETL Listed for Dry and Damp Locations
- DesignLights Consortium® Premium Qualified Luminaire

X SERIES STRIP



SUITABLE APPLICATIONS

- Schools
- Manufacturing Plants
- Warehouses
- Distribution Centers
- Retail Applications
- Grocery Stores

PART NUMBER	LUMENS	WATTS	Lm/W	REPLACES	DLC LISTING
FXS4-12W-U-40	1,809	12	146	1T8	PREMIUM
FX4-12W-U-40	1,821	12	147	1T8	PREMIUM
FX4-24W-U-40	3,508	25	142	2T8	PREMIUM
FX4-36W-U-40	5,121	38	136	3T8	PREMIUM
FXS8-24W-U-40	3,634	25	148	1T12HO	PREMIUM
FX8-24W-U-40	3,657	25	149	2T8	PREMIUM
FX8-48W-U-40	7,110	50	144	2T5HO	PREMIUM
FX8-72W-U-40	10,290	74	139	4T8	PREMIUM

OPTIONS

ACCESSORIES

WC ¹	11 Ga Wire Cage
CORDX	Cord (x=ft)
CORD/6FT/L7-15P	6ft cord w/ 277V, 15 Amp Twist Lock Plug
RACEWAY/3WIRE ²	3 Wire Raceway Wiring Harness
SD347 ¹	347V Step Down Transformer
SD480 ¹	480V Step Down Transformer
EM5	Factory Installed 5W Battery Backup
EM10	Factory Installed 10W Battery Backup
SP	Surge Protector 10KVA 120-277VAC

CONTROLS

FIOS ³	On/Off Occupancy Sensor Installed
FIOSPC ³	On/Off Occupancy Sensor w/ Photocell
BD50 ³	50% Bi-Level Dimming Sensor (24W/48W only)
BD30 ³	30% Bi-Level Dimming Sensor (36W/72W only)

MOUNTING

VC	V-Clips for Chain Hanging
FMB ⁴	Fixture Mounting Box (use w/ HUB for single point mounting)
HUB 3/4	¾" Conduit Hub (1 per 4ft section)
HB-XX-18Y-PAD	Y-Toggle Cable System (xx=inches)
ALBR ⁵	Alignment Bracket
QMBR	Quick Mount Bracket for Surface Mounting (set of 2)

¹Does not qualify for DLC
²For Continuous Wiring Through Fixtures

³End Mounted Sensor
⁴Available for 4ft only

⁵Used To Align Fixtures Mounted In Continuous Rows

X SERIES STRIP RETROFIT KIT

X SERIES STRIP RETROFIT KIT



FEATURES

- Retrofit existing strips—4.3" to 5.5" wide
 - All-in-One Adjustable Cover
 - Aligns to existing fixture width
 - Retrofit in under 5 minutes
- Patent Pending Integrated Light Engine Design
- 120–277 Universal Voltage (Non-Dimmable)
- High Efficacy—Up to 152 lm/W
- 4ft & 8ft Options
- 4000K & 5000K CCT
- >80 Color Range Index (CRI)
- Calculated L70 >100,000 hrs
- 5 Year Warranty
- ETL Listed for Dry and Damp Locations
- DesignLight Consortium® Premium Qualified Luminaire



SUITABLE APPLICATIONS

- Schools
- Manufacturing Plants
- Warehouses
- Distribution Centers
- Retail Applications
- Grocery Stores

PART NUMBER	LUMENS	WATTS	Lm/W	REPLACES	DLC LISTING
RX4-12W-U-40	1,821	12	147	1T8	PREMIUM
RX4-24W-U-40	3,508	25	142	2T8	PREMIUM
RX8-24W-U-40	3,657	25	149	2T8	PREMIUM
RX8-48W-U-40	7,110	49	144	2T5HO/4T8	PREMIUM

OPTIONS

ACCESSORIES

WC ¹	11 Ga Wire Cage
SD347 ¹	347V Step Down Transformer
SD480 ¹	480V Step Down Transformer
EM5 ²	Factory Installed 5W Battery Backup
EM10 ²	Factory Installed 10W Battery Backup
SP	Surge Protector 10KVA 120–277VAC

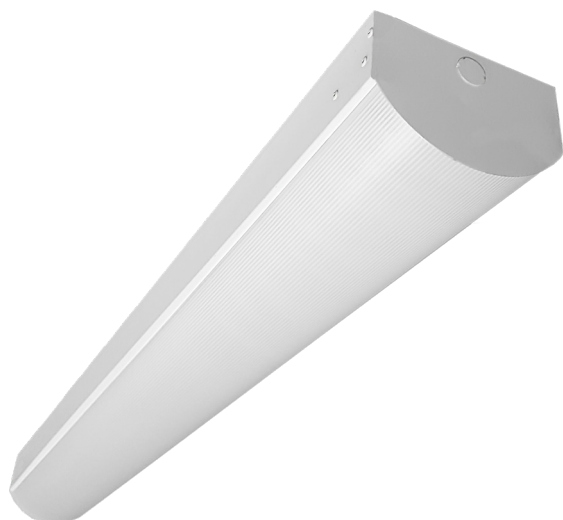
CONTROLS

FIOS ³	On/Off Occupancy Sensor Installed
FIOSPC ³	On/Off Occupancy Sensor w/ Photocell
BD50 ³	50% Bi-Level Dimming Sensor (24W/48W only)
BD30 ³	30% Bi-Level Dimming Sensor (36W/72W only)

¹Does not qualify for DLC
²Prewired Uninstalled

³End Mounted Sensor to Existing Fixture Housing

CURVED WRAP



FEATURES

- 2ft, 4ft, & 8ft configurations
- Sleek curved profile frosted acrylic impact resistant lens
- .040 aluminum pre-painted white housing
- Ceiling, wall or suspension mounting options
- Multiple dimming & sensor options to fully control occupied & unoccupied light levels
- Suitable for installing in continuous runs
- 3000K-5000K CCT
- 0-10V Dimmable Driver (100%-5%)
- 120-277V Universal Voltage
- >80 Color Range Index (CRI)
- Calculated L70 >100,000 hrs
- 5 Year Warranty
- ETL Listed for Damp Locations
- DesignLights Consortium® Qualified Luminaire

CURVED WRAP



SUITABLE APPLICATIONS

- Offices
- Hospitals
- Schools
- Hallways
- Work Station Task Lighting
- Multipurpose

PART NUMBER	LUMENS	WATTS	Lm/W	REPLACES	DLC LISTING
SQ2-16WLED-UNIV-40	1,983	17	117	1T8	STANDARD
SQ2-22WLED-UNIV-40	2,595	23	115	2T8	STANDARD
SQ4-16WLED-UNIV-40	2,078	16	127	1T8	STANDARD
SQ4-30WLED-UNIV-40	3,694	30	123	2T8	STANDARD
SQ4-44WLED-UNIV-40	5,086	44	116	3T8	STANDARD
SQ8-32WLED-UNIV-40	4,018	32	126	2T8	STANDARD
SQ8-60WLED-UNIV-40	7,329	60	122	4T8	STANDARD
SQ8-88WLED-UNIV-40	10,236	89	115	2T5HO	STANDARD

OPTIONS

ACCESSORIES

SR	Sensor Ready Driver
DR	DALI Ready Driver
BLD	Bi-Level Dimming Driver (2 hot leads)
CORDx	Cord (x=ft)
RACEWAY/3WIRE ^{1,7}	3 Wire Raceway Wiring Harness
RACEWAY/5WIRE ¹	5 Wire Raceway Wiring Harness
FI/ILBCP05	5W LED Factory Installed Battery Backup
FI/ILBCP07	7W LED Factory Installed Battery Backup
FI/ILBCP10	10W LED Factory Installed Battery Backup
FI/ILBCP12	12W LED Factory Installed Battery Backup
WC ²	11 Ga Wire Cage
SD347 ²	347V Step Down Transformer
SD480 ²	480V Step Down Transformer

CONTROLS

FIOS	On/Off Occupancy Sensor Installed
USBD	User Select Bi-Level Dim Occ. Sensor
BDxx	Preset Bi-Level Dim Sensor (xx=% eg. 20,30)
ES ³	EasySense Sensor
ES/WWS/DR	EasySense Dual Rocker Wireless Wall Switch
ES/PCD ⁴	Pre-installed app on controlled device for commissioning
SR	Sensor Ready Driver
DR	DALI Ready Driver
VDO ⁵	Lutron Vive DFCSJ-OEM-OCC (Daylight & Occupancy)
VRF ⁵	Lutron Vive DFCSJ-OEM-RF (RF Only)

MOUNTING

FMB ⁶	Fixture Mounting Box (Requires HUB for Single Point Mounting)
HUB 3/4	3/4" Conduit Hub (1 per 4ft section)
HB-XX-18Y-PAD	Y-Toggle Cable System (xx=inches)

¹For continuous wiring through fixtures
²Does not qualify for DLC

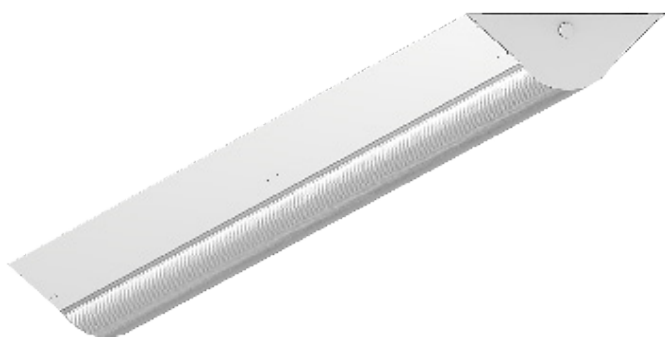
³Must be used with ES/PCD for commissioning
⁴One needed per project

⁵Must be used with SR Driver
⁶Available for 4ft only

⁷Non-dimming function

CURVED WIDE BASE WRAP

CURVED WIDE BASE WRAP



FEATURES

- Cover existing foot print with 12" wide base wrap
- 4ft & 8ft configurations
- Sleek curved profile frosted acrylic impact resistant lens
- .040 aluminum pre-painted white housing
- Ceiling, wall & suspension mounting options
- Multiple dimming & sensor options to fully control occupied & unoccupied light levels
- Suitable for installing in continuous runs
- 3000K-5000K CCT
- 0-10V Dimmable Driver (100%-5%)
- 120-277V Universal Voltage
- >80 Color Range Index (CRI)
- Calculated L70 >100,000 hrs
- 5 Year Warranty
- ETL Listed for Damp Locations
- DesignLights Consortium® Qualified Luminaire



SUITABLE APPLICATIONS

- Offices
- Hospitals
- Schools
- Hallways
- Work Station Task Lighting
- Multipurpose

PART NUMBER	LUMENS	WATTS	Lm/W	REPLACES	DLC LISTING
SQ4-16WLED-UNIV-40-WB	2,078	16	127	1T8	STANDARD
SQ4-30WLED-UNIV-40-WB	3,694	30	123	2T8	STANDARD
SQ4-44WLED-UNIV-40-WB	5,086	44	116	3T8	STANDARD
SQ8-32WLED-UNIV-40-WB	4,018	32	126	2T8	STANDARD
SQ8-60WLED-UNIV-40-WB	7,329	60	122	4T8	STANDARD
SQ8-88WLED-UNIV-40-WB	10,236	89	115	2T5HO	STANDARD

OPTIONS

ACCESSORIES

SR	Sensor Ready Driver
DR	DALI Ready Driver
BLD	Bi-Level Dimming Driver (2 hot leads)
WC ²	Wire Cage
CORDx	Cord (x=ft)
RACEWAY/3WIRE ^{1,7}	3 Wire Raceway Wiring Harness
RACEWAY/5WIRE ¹	5 Wire Raceway Wiring Harness
FI/ILBCP05	5W LED Factory Installed Battery Backup
FI/ILBCP07	7W LED Factory Installed Battery Backup
FI/ILBCP10	10W LED Factory Installed Battery Backup
FI/ILBCP12	12W LED Factory Installed Battery Backup
SD347 ²	347V Step Down Transformer
SD480 ²	480V Step Down Transformer

CONTROLS

FIOS	On/Off Occupancy Sensor Installed
USBD	User Select Bi-Level Dim Occ. Sensor
BDxx	Preset Bi-Level Dim Sensor (xx=% eg. 20,30)
ES ⁴	EasySense Control
ES/WWS/DR	EasySense Dual Rocker Wireless Wall Switch
ES/PCD ³	Pre-installed app on controlled device for commissioning
VDO ⁵	Lutron Vive DFCSJ-OEM-OCC (Daylight & Occupancy)
VRF ⁵	Lutron Vive DFCSJ-OEM-RF (RF Only)

MOUNTING

FMB ⁶	Fixture Mounting Box (Requires HUB for single point mounting)
HUB 3/4	3/4" Conduit Hub (1 per 4ft section)
HB-XX-18Y-PAD	Y-Toggle Cable System (xx=inches)

¹For continuous wiring through fixtures
²Does not qualify for DLC

³One needed per project
⁴Must be used with ES/PCD for commissioning

⁵Must be used with SR Driver
⁶Available for 4ft only

⁷Non-dimming function

FNW WRAP



FEATURES

- Narrow & Sleek Design with 9" Width
- Molded End Cap
- 4ft & 8ft Available
- 2,200-8,000 Lumens
- 3500K, 4000K & 5000K CCT
- 0-10V 120-277V Dimmable Driver
- Frosted Impact Resistant Lens
- Sensor Options
- >80 Color Range Index (CRI)
- Calculated L70 >100,000 hrs
- 5 Year Warranty
- ETL Listed
- DesignLights Consortium® Qualified Luminaire

FNW WRAP



SUITABLE APPLICATIONS

- Offices
- Hospitals
- Schools
- Hallways
- Work Station Task Lighting
- Multipurpose

PART NUMBER	LUMENS	WATTS	Lm/W	REPLACES	DLC LISTING
FNW42240-01	2,227	18	124	1T8	STANDARD
FNW42540-01	2,437	20	122	2T8	STANDARD
FNW43040-01	2,988	25	122	2T8	STANDARD
FNW44040-01	3,945	35	113	3T8	STANDARD
FNW84040-01	4,071	31	132	2T8	PREMIUM
FNW85040-01	5,048	39	129	2T8	PREMIUM
FNW86040-01	5,975	49	122	2T5HO	STANDARD
FNW88040-01	7,891	70	113	4T8	STANDARD

OPTIONS

ACCESSORIES

CORDx	Cord (x=ft)
WHIPx	Flexible Conduit Whip (x=ft)
RACEWAY/3WIRE ^{1,4}	3 Wire Raceway Wiring Harness
RACEWAY/5WIRE ¹	5 Wire Raceway Wiring Harness
FI/ILBCP05	5W LED Factory Installed Battery Backup
FI/ILBCP07	7W LED Factory Installed Battery Backup
FI/ILBCP10	10W LED Factory Installed Battery Backup
FI/ILBCP12	12W LED Factory Installed Battery Backup
SD347 ²	347V Step Down Transformer
SD480 ²	480V Step Down Transformer

CONTROLS

FIOS ³	On/Off Occupancy Sensor Installed
FIOSPC ³	On/Off Occupancy Sensor w/ Photocell
FIOSPC/DLH ³	Daylight Harvesting w/ Motion & Photocell
USBD ³	User Select Bi-Level Dim Occ. Sensor
BDxx ³	Preset Bi-Level Dim Sensor (xx=% eg. 20,30)
BDxxPC ³	Preset Bi-Level Dim Sensor w/ Photocell
MWS	Bi-Level Dimming Microwave Sensor

MOUNTING

HB-XX-18Y-PAD Y-Toggle Cable System (xx=inches)

¹For continuous wiring through fixtures
²Does not qualify for DLC

³End Mounted Sensor
⁴Non-dimming function

FWW WRAP

FWW WRAP



FEATURES

- Wide & Sleek Design with 13" Width
- Molded End Cap
- 4ft & 8ft Available
- 2,200–8,000 Lumens
- 3500K, 4000K & 5000K CCT
- 0–10V 120–277V Dimmable Driver
- Frosted Impact Resistant Lens
- Sensor Options
- >80 Color Range Index (CRI)
- Calculated L70 >100,000 hrs
- 5 Year Warranty
- ETL Listed
- DesignLights Consortium® Qualified Luminaire



SUITABLE APPLICATIONS

- Offices
- Hospitals
- Schools
- Hallways
- Work Station Task Lighting
- Multipurpose

PART NUMBER	LUMENS	WATTS	Lm/W	REPLACES	DLC LISTING
FWW42240-01	2,227	18	124	1T8	STANDARD
FWW42540-01	2,437	20	122	2T8	STANDARD
FWW43040-01	2,988	25	122	2T8	STANDARD
FWW44040-01	3,945	35	113	3T8	STANDARD
FWW84040-01	4,071	31	132	2T8	STANDARD
FWW85040-01	5,048	39	129	2T8	STANDARD
FWW86040-01	5,975	49	122	2T5HO	STANDARD
FWW88040-01	7,891	70	113	4T8	STANDARD

OPTIONS

ACCESSORIES

CORDx	Cord (x=ft)
RACEWAY/3WIRE ^{1,4}	3 Wire Raceway Wiring Harness
RACEWAY/5WIRE ¹	5 Wire Raceway Wiring Harness
FI/ILBCP05	5W LED Factory Installed Battery Backup
FI/ILBCP07	7W LED Factory Installed Battery Backup
FI/ILBCP10	10W LED Factory Installed Battery Backup
FI/ILBCP12	12W LED Factory Installed Battery Backup
SD347 ²	347V Step Down Transformer
SD480 ²	480V Step Down Transformer

CONTROLS

FIOS ³	On/Off Occupancy Sensor Installed
FIOSPC ³	On/Off Occupancy Sensor w/ Photocell
FIOSPC/DLH ³	Daylight Harvesting w/ Motion & Photocell
USB ³	User Select Bi-Level Dim Occ. Sensor
BDxx ³	Preset Bi-Level Dim Sensor (xx=% eg. 20,30)
BDxxPC ³	Preset Bi-Level Dim Sensor w/ Photocell
MWS	Bi-Level Dimming Microwave Sensor

MOUNTING

HB-XX-18Y-PAD Y-Toggle Cable System (xx=inches)

¹For continuous wiring through fixtures
²Does not qualify for DLC

³End Mounted Sensor
⁴Non-dimming function

CAVERN & CAVERN LITE



FEATURES

- 2ft & 4ft LED options available
- Ultrasonic sensor fills entire space for maximum sensing range
- Fully control light levels for both occupied & unoccupied areas with high/low user selectable Bi-Level dimming (USB/HL) option to help maintain life safety codes
- Impact resistant frosted acrylic lens (std.)
- 3000K, 3500K, 4000K & 5000K CCT
- 0-10V Dimmable Driver (100%-5%)
- 120-277V Universal Voltage
- >80 Color Range Index (CRI)
- Calculated L70 >100,000 hrs
- 5 Year Warranty
- DesignLights Consortium® Premium Qualified Luminaire
- Cavern Housing
 - .060" aluminum body
 - .200" 6061 machined aluminum end plates
 - .500" threaded end plug
 - Baked on enamel powder coat finish
- Cavern Lite Housing
 - .040" aluminum body
 - Baked on pre-painted enamel

CAVERN & CAVERN LITE



SUITABLE APPLICATIONS

- Offices
- Hospitals
- Schools
- Hallways

PART NUMBER	LUMENS	WATTS	Lm/W	REPLACES	DLC LISTING
CV2-20WLED-UNIV-50	2,303	20	113	2T8	PREMIUM
CV2-30WLED-UNIV-50	3,349	30	112	2T5HO	PREMIUM
CV4-30WLED-UNIV-50	3,696	30	125	2T8	PREMIUM
CV4-40WLED-UNIV-50	4,767	40	119	3T8	PREMIUM

OPTIONS

ACCESSORIES

- WHP White Paint (std.)
- BRP Bronze Paint
- CPX Custom Paint (x= spec color)
- CORDx Cord (x=ft)
- TPS Tamper Proof Screws (cavern only)
- SR Sensor Ready Driver
- FI/ILBCP05 5W LED Factory Installed Battery Backup
- FI/ILBCP07 7W LED Factory Installed Battery Backup
- FI/ILBCP10 10W LED Factory Installed Battery Backup
- FI/ILBCP12 12W LED Factory Installed Battery Backup
- SD347¹ 347V Step Down Transformer
- SD480¹ 480V Step Down Transformer

CONTROLS

- FIOS On/Off Occupancy Sensor Installed
- BDxx Preset Bi-Level Dim Sensor (xx=% eg. 20,30)
- USB User Select Bi-Level Dim Occ. Sensor
- USB/HL User Select High/Low Bi-Level Dimming w/ Occ. Sensor
- VDO² Lutron Vive DFCSJ-OEM-OCC (Daylight & Occupancy)
- VRF² Lutron Vive DFCSJ-OEM-RF (RF Only)

¹Does not qualify for DLC
²Must be used with SR Driver

FNW & FWW T8 TLED WRAP FIXTURES

FNW & FWW T8 TLED WRAP FIXTURES

enviro**brite**
SERIES



FEATURES

- Pre-Wired for Single or Double Ended LED Tubes
- Narrow (9"- FNW) & Wide (13"- FWW) Width
- Molded End Cap
- 4ft & 8ft Available
- 1 Lamp-6 Lamp 4ft T8 Options (LAMPS NOT INCLUDED)
 - 4ft-1-3 lamps
 - 8ft-2-6 lamps
- Multiple Socket Options
 - Unshunted
 - Shunted
- Frosted Impact Resistant Lens
- 5 Year Warranty
- ETL Listed for Damp Locations



SUITABLE APPLICATIONS

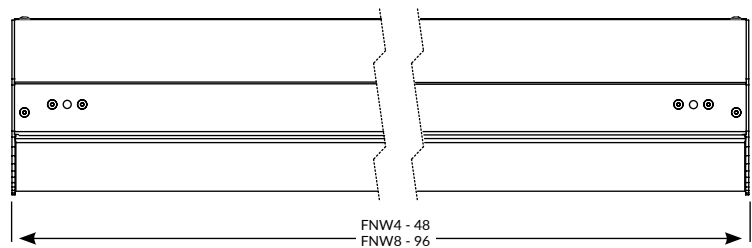
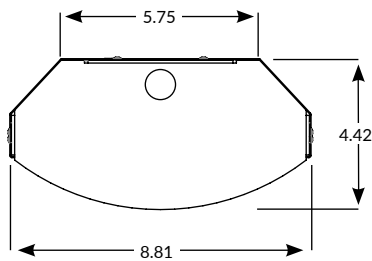
- Offices
- Hospitals
- Schools
- Hallways
- Work Station Task Lighting
- Multipurpose

SERIES

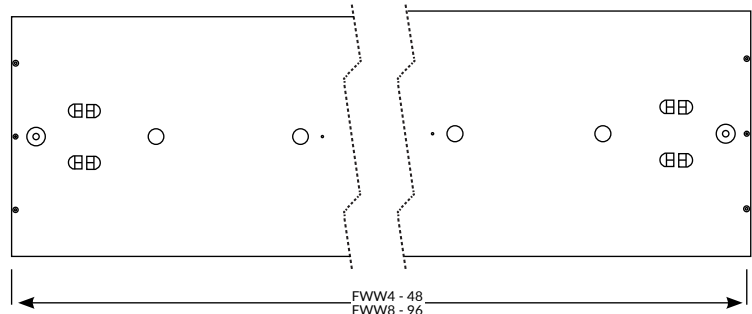
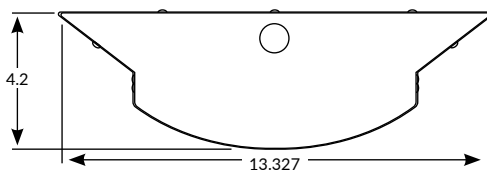
SERIES	TYPE	SOCKET	OPTIONS
FNW43 - 4ft, 3 Lamps Narrow Housing	T8	U - Unshunted	PWS ¹ - Pre-Wired Kit Option for Single Ended LED Tubes
FNW86 - 8ft, 6 Lamps Narrow Housing		S - Shunted	PWD ² - Pre-Wired Kit Option for Double Ended LED Tubes
FWW43 - 4ft, 3 Lamps Wide Housing			
FWW86 - 8ft, 6 Lamps Wide Housing			

LINE DRAWINGS

FNW:



FWW:



¹Compatible with Unshunted Sockets Only
²Compatible with Shunted Sockets Only

FST T8 TLED STRIP FIXTURE

enviro**brite**
SERIES



Shown with White Reflector Option

FEATURES

- Pre-Wired for Single or Double Ended LED Tube
- 4ft & 8ft Available
- 2 lamp–4 lamp 4ft T8 Options (LAMPS NOT INCLUDED)
- Multiple Reflector Options
 - White Ballast Cover
 - 91% White Aluminum
- Multiple Socket Options
 - Unshunted
 - Shunted
- 5 Year Warranty
- ETL Listed for Damp Locations

FST T8 TLED STRIP
FIXTURE



SUITABLE APPLICATIONS

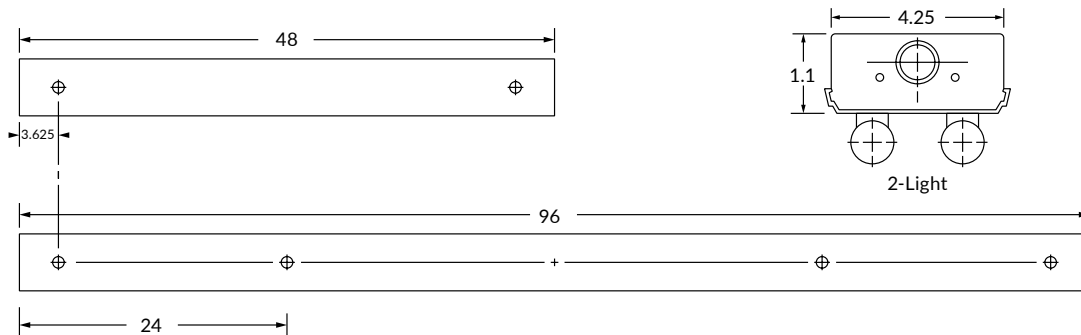
- Education
- Manufacturing Plants
- Grocery Stores
- Retail Applications
- Warehouses
- Distribution Centers

SERIES

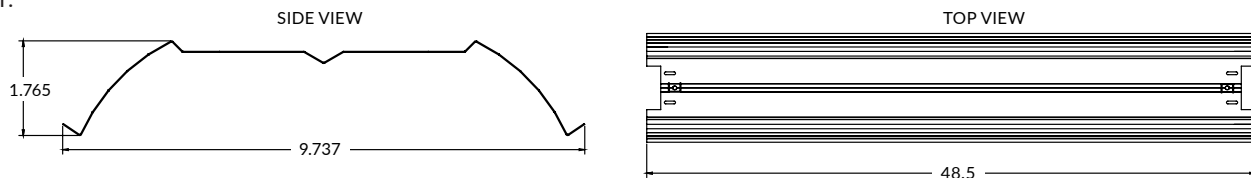
SERIES	TYPE	REFLECTOR	SOCKET	OPTIONS
FST41 - 4ft, 1 Lamp	T8	B - White Ballast Cover	U - Unshunted	PWS ¹ - Pre-Wired Kit Option for Single Ended LED Tubes
FST42 - 4ft, 2 Lamp		W - White Aluminum	S - Shunted	PWD ² - Pre-Wired Kit Option for Double Ended LED Tubes
FST82 - 8ft, 2 Lamp				
FST84 - 8ft, 4 Lamp				

LINE DRAWINGS

Ballast Cover:



Reflector:

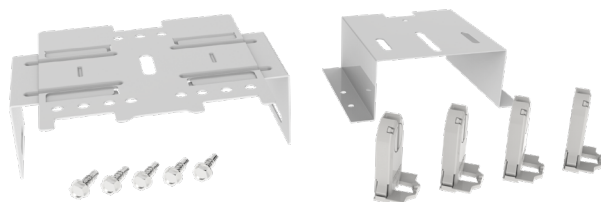


¹Compatible with Unshunted Sockets Only
²Compatible with Shunted Sockets Only

RSB T8 TLED STRIP BRACKET KIT

RSB T8 TLED STRIP BRACKET KIT

enviro**brite**
SERIES



FEATURES

- 4ft & 8ft Available
- 1 Lamp-4 Lamp 4ft T8 Options (LAMPS NOT INCLUDED)
- Multiple Bracket Options
 - CS-Adjustable Width - 4.1" to 5.6"
 - 43-Fixed 4.3" Width
- Multiple Socket Options
 - Unshunted
 - Shunted
- Tek Screw Slots for Easy Lamp Centering
- Pre-Wired Kit Options for Single or Double Ended LED Tubes
- 5 Year Warranty
- ETL Listed for Damp Locations



SUITABLE APPLICATIONS

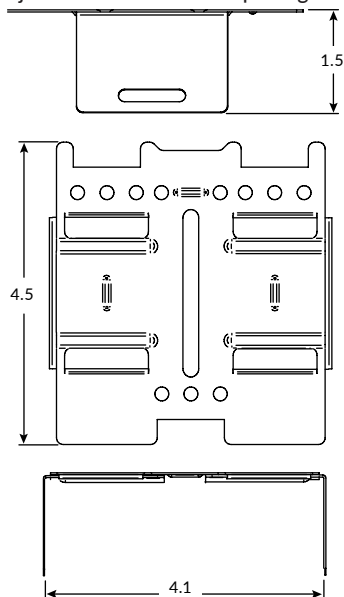
- Education
- Manufacturing Plants
- Grocery Stores
- Retail Applications
- Warehouses
- Distribution Centers

SERIES

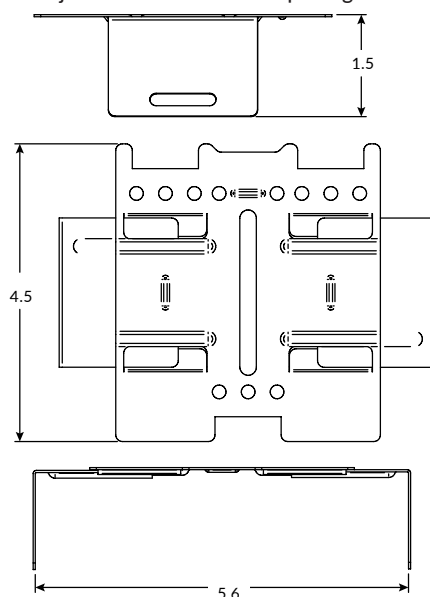
SERIES	TYPE	BRACKET	SOCKET	OPTIONS
RSB41 - 4ft, 1 Lamp	T8	CS - Adjustable Width	U - Unshunted	PWS ¹ - Pre-Wired Kit Option for Single Ended LED Tubes
RSB42 - 4ft, 2 Lamp		43 - 4.3 Fixed Width	S - Shunted	PWD ² - Pre-Wired Kit Option for Double Ended LED Tubes
RSB82 - 8ft, 2 Lamp				
RSB84 - 8ft, 4 Lamp				

LINE DRAWINGS

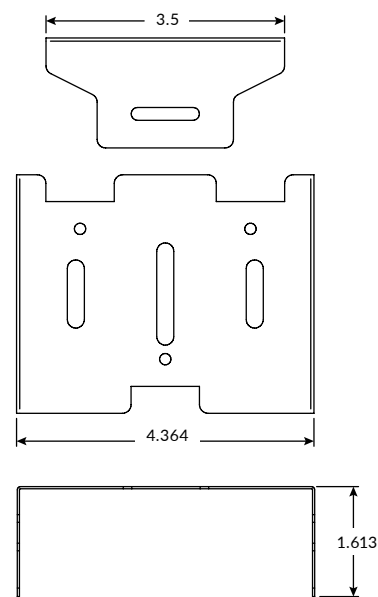
CS - Adjustable Bracket Min Opening



CS - Adjustable Bracket Max Opening



43 - 4.3" Fixed Bracket



¹Compatible with Unshunted Sockets Only
²Compatible with Shunted Sockets Only

RST T8 TLED STRIP RETROFIT KIT

envirobrite****
SERIES



FEATURES

- 4ft & 8ft Available
- 1 lamp-4 lamp 4ft T8 Options (LAMPS NOT INCLUDED)
- Multiple Bracket Options
 - CS-Adjustable Width - 4.1" to 5.6"
 - 43-Fixed 4.3" Width
- Multiple Reflector Options
 - White Ballast Cover
 - 91% White Aluminum
 - 95% Enhanced Aluminum
- Multiple Socket Options
 - Unshunted
 - Shunted
- Pre-Wired Kit Options for Single & Double Ended LED Tubes
- 5 Year Warranty
- ETL Listed for Damp Locations

**RST T8 TLED STRIP
RETROFIT KIT**



SUITABLE APPLICATIONS

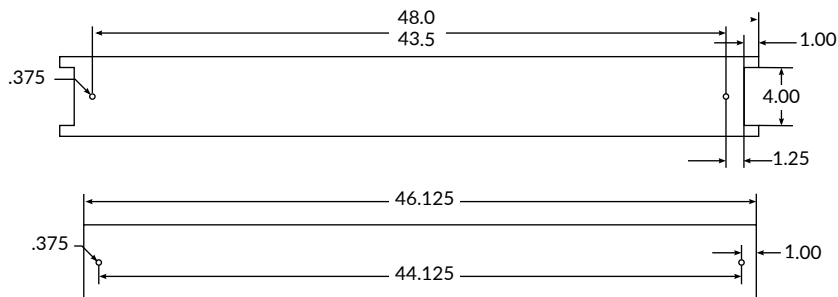
- Education
- Manufacturing Plants
- Grocery Stores
- Retail Applications
- Warehouses
- Distribution Centers

SERIES

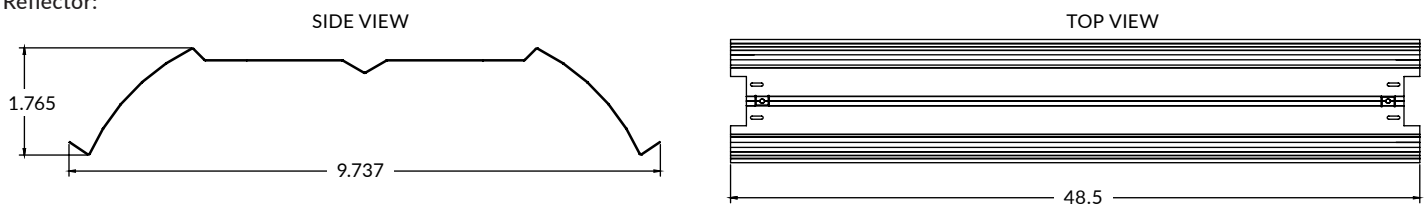
SERIES	TYPE	REFLECTOR	BRACKET	SOCKET	OPTIONS
RST41 - 4ft, 1 Lamp	T8	B - White Ballast Cover	CS - Adjustable Width	U - Unshunted	PWS ¹ - Pre-Wired Kit Option for Single Ended LED Tubes
RST42 - 4ft, 2 Lamp		W - White Aluminum	43 - 4.3 Fixed Width	S - Shunted	PWD ² - Pre-Wired Kit Option for Double Ended LED Tubes
RST82 - 8ft, 2 Lamp		E - Enhanced Aluminum			
RST84 - 8ft, 4 Lamp					

LINE DRAWINGS

Ballast Cover:



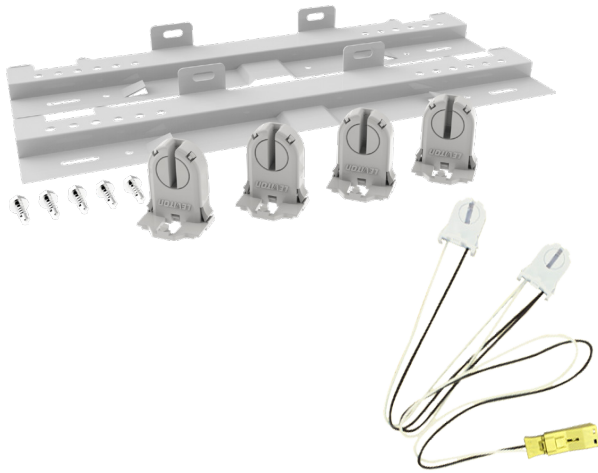
Reflector:



¹Compatible with Unshunted Sockets Only
²Compatible with Shunted Sockets Only

RTB T8 TLED TROFFER BRACKET KIT

enviro**brite**
SERIES



FEATURES

- 2x2 & 2x4 sizes available
- 2 lamp & 3 lamp T8 Options (LAMPS NOT INCLUDED)
- Screws to Top or Side of Existing Troffer Housing
- Multiple Socket Options
 - Unshunted
 - Shunted
- Pre-Wired Kit Options for Single or Double Ended LED Tubes
- 5 Year Warranty
- ETL Listed for Damp Locations
- Parts included in these kits:
 - 2 brackets
 - 4 sockets for 2 lamp kit
 - 6 sockets for 3 lamp kit
 - 5 tek screws

RTB T8 TLED TROFFER
BRACKET KIT



SUITABLE APPLICATIONS

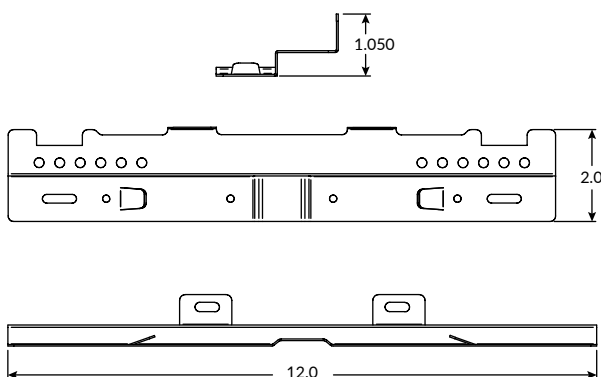
- Offices
- Hallways
- Conference Rooms
- Multipurpose Rooms

SERIES

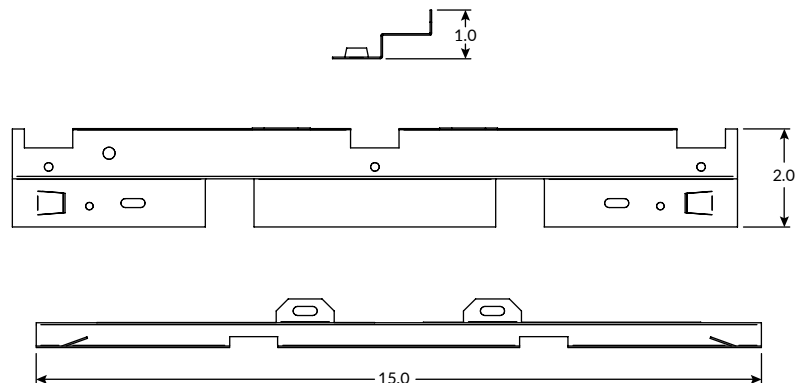
SERIES	TYPE	SOCKET	OPTIONS
RTB22 - 2x2, 2 Lamp	T8	U - Unshunted	PWS ¹ - Pre-Wired Kit Option for Single Ended LED Tubes
RTB23 - 2x2, 3 Lamp		S - Shunted	PWD ² - Pre-Wired Kit Option for Double Ended LED Tubes
RTB42 - 2x4, 2 Lamp			
RTB43 - 2x4, 3 Lamp			

LINE DRAWINGS

2 Lamp Configuration



3 Lamp Configuration



¹Compatible with Unshunted Sockets Only
²Compatible with Shunted Sockets Only

RTR T8 TLED TROFFER RETROFIT KIT

envirobrite****
SERIES



FEATURES

- 2x2 & 2x4 sizes available
- 2 Lamp-4 Lamp T8 Options (LAMPS NOT INCLUDED)
- Multiple Reflector Options
 - 91% White Aluminum
 - 95% Enhanced Aluminum
- Multiple Socket Options
 - Unshunted
 - Shunted
- Pre-Wired Kit Options For Single & Double Ended LED Tubes
- 5 Year Warranty
- ETL Listed

**RTR T8 TLED TROFFER
RETROFIT KIT**



SUITABLE APPLICATIONS

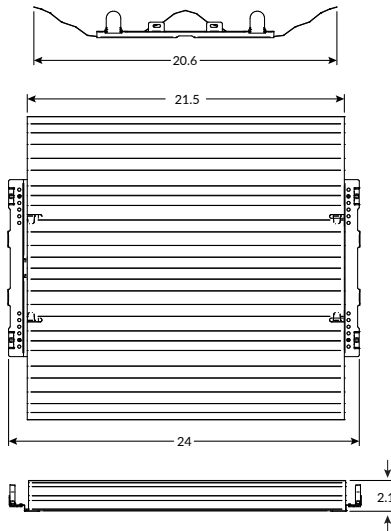
- Offices
- Hallways
- Conference Rooms
- Multipurpose Rooms

SERIES

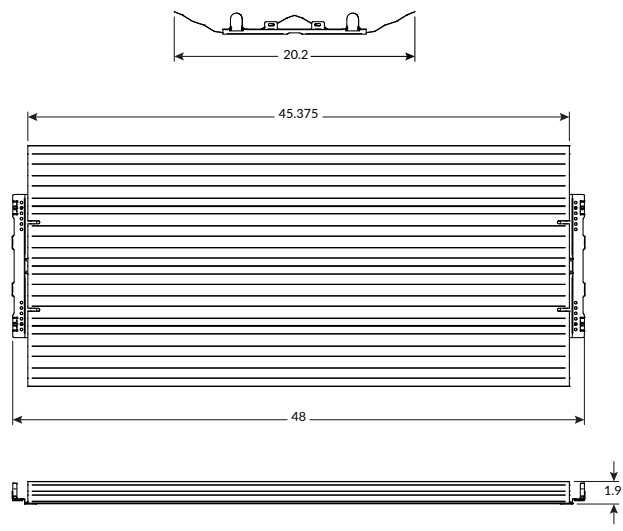
SERIES	TYPE	REFLECTOR	SOCKET	OPTIONS
RTR22 - 2x2, 2 Lamp	T8	W - White Aluminum	U - Unshunted	PWS ¹ - Pre-Wired Kit Option for Single Ended LED Tubes
RTR23 - 2x2, 3 Lamp		E - Enhanced Aluminum	S - Shunted	PWD ² - Pre-Wired Kit Option for Double Ended LED Tubes
RTR24 - 2x2, 4 Lamp				
RTR42 - 2x4, 2 Lamp				
RTR43 - 2x4, 3 Lamp				
RTR44 - 2x4, 4 Lamp				

LINE DRAWINGS

2x2 Configuration



2x4 Configuration



¹Compatible with Unshunted Sockets Only

²Compatible with Shunted Sockets Only



*"YOUR NUMBER ONE SOURCE
FOR ENERGY EFFICIENT LIGHTING"*

WWW.ILP-INC.COM
407-478-3759
02 / 2020
An ILLUMUS Brand