



OUTDOOR



TABLE OF CONTENTS



AREA LIGHTS

- 2 AREA LIGHT (ENHANCED)
- 3 AREA LIGHT MOUNTING OPTIONS
- 4 AREA LIGHT POLES

FLOODS

- 5 FLOOD 2.0
- 6 CONVERTAFLOOD

WALL MOUNTS

- 7 SLIM WALL PACK (NEW)
- 8 AL SERIES WALL MOUNT (ENHANCED)
- 9 OPEN FACE WALL PACK
- 10 FULL CUTOFF WALL PACK (ENHANCED)

CANOPY / PARKING GARAGE

- 11 VALUE SQUARE (NEW)
- 12 UFO PARKING GARAGE (ENHANCED)
- 13 AMAZON PARKING GARAGE

BOLLARDS

- 14 BOLLARDS



AREA LIGHT

Enhanced

AREA LIGHT



FEATURES

- Slim Profile die-cast aluminum housing
- Factory Select Finishes: Bronze (BRZ), Black (BLK), Silver (SLV), and White(WHT)
- Custom colors finishes available¹
- Type II, III, IV, & VS optics available
- Optional Spill Light Control via Integral Shield (HSS)
- Universal Pole Mounting Bracket (UPMB) or Fixed Arm (ARM6-S)(std.)
- 1.5g/3G ANSI C136.31-2010 mounting option available¹
- Toolless hinged drop down driver access
- 120–277V Universal Voltage or 347–480V High Voltage
- 0–10V Dimmable Driver (std.)
- Battery backup option available (56W, 90W)
- PIR Occupancy, Photocell, & Bi-Level Dimming Sensors Available
- 3-Pin & 7-Pin ANSI C136.41 Control Receptacle Options
- Wireless control integrated luminaire
- 3000K, 4000K & 5000K CCT
- >80 Color Rendering Index (CRI)
- Calculated L70 >100,000 hrs @ 25°C per TM-21-11
- IP66 Rated Luminaire
- Dark Sky Compliant²
- 5 Year Warranty
- ETL Listed for Wet Locations
- DesignLights Consortium® Premium Qualified Luminaire

¹Contact factory

²Compliant w/ 3000K CCT Only; excludes AL-SLPF & AL-SB Mounts



SUITABLE APPLICATIONS

- Parking Structures
- Education
- Airports
- Hospitals
- Government Facilities
- Car Dealerships
- Parks
- Roadways
- Shopping Centers

PART NUMBER

PART NUMBER	LUMENS	WATTS	Lm/W	REPLACES	DLC LISTING
AL-56W-U-40-T4	8,217	58	143	250W MH	PREMIUM
AL-90W-U-40-T4	12,380	94	131	250W MH	PREMIUM
AL-110W-U-40-T4	17,031	113	151	400W MH	PREMIUM
AL-150W-U-40-T4	20,989	149	141	400W MH	PREMIUM
AL-190W-U-40-T4	25,825	188	137	600W MH	PREMIUM
AL-225W-U-40-T4	29,372	232	127	600W MH	PREMIUM
AL-270W-U-40-T4	38,833	270	144	1000W MH	PREMIUM
AL-375W-U-40-T4	50,677	383	132	1000W MH	PREMIUM

OPTIONS

FACTORY INSTALLED OPTIONS

HSS ¹	Integral House Side Shield
HV ²	High Voltage Driver 347–480V 50/60Hz
SP1 ^{3,4}	10kA Max 120–277V Surge Protector
SP2 ^{3,4}	22kA Max 120–277V Surge Protector
SP480V02 ⁴	20kA 347–480V Surge Protector
FI/ILBCP05 ⁵	5W UNIV Battery Backup (32°–100°F)
FUSE/Sxxx	Single-line Voltage Fuse (120, 277, 347V)
FUSE/Dxxx	Dual-line Voltage Fuse (208, 240, 480V)
SMLxxxx	Specified Lumen Output (xxx=lumenoutput)
SD347 ^{3,6}	347V Step Down Transformer
SD480 ^{3,6}	480V Step Down Transformer
TPS/L	Tamperproof Screws Latches Only
TPS/FF	Tamperproof Screws Full Fixture

SHIP WITH ACCESSORIES

PCU ³	Electronic UNIV Photocell (120–277V)
UPMB	Universal Pole Mount Bracket Square (std.)
UPMB/R	Universal Pole Mount Bracket Round (4–5")
ARM6-S	6" Straight Arm Adaptor for Square Pole
ARM6-Rx	6" Straight Arm Adaptor for Round Pole (x=Ø, 2.5"-7")
WMB ⁷	Wall Mount Bracket
LARGE-WMB	Large Wall Mount Bracket (270W–375W)
AL-SLPF	2 3/8" Adjustable Slip Fitter
AL-SB ⁷	Adjustable Trunnion Mount Bracket
HTMA	Horizontal Tenon Mount Bracket
GS ¹	External Glare Shield
TLPC/UNIV	Photocell for use w/ CRxP option (120–277V)
TLPC/347	Photocell for use w/ CRxP option (347V)
TLPC/480	Photocell for use w/ CRxP option (480V)
FSIR/100	Remote Configuration Tool (USBD, BDxx, BDxxPC, WLOS)
SRP/281	IR-TEC OS-NET Remote Sensor Configuration Tool

CONTROLS—FACTORY INSTALLED

CR3P	3-Pin Control Receptacle
CR7P	7-Pin Control Receptacle ANSI C136.41
WLOS	PIR Occupancy Sensor
USBD ⁸	User Select Bi-Level Dim Occ. Sensor
BDxx ⁹	Preset Bi-Level Dim Sensor
BDxxPC ⁹	Preset Bi-Level Dim Sensor w/ photocell
SU/5S/LR/IL ^{2,3}	Enlighted 5S Individual Lighting (IL) Sensor w/ Control Unit
SU/5S/LR/CL ^{2,3}	Enlighted 5S Connected Lighting (CL) Sensor w/ Control Unit
SU/5S/LR/IOT ^{2,3}	Enlighted 5S Internet of Things (IOT) Sensor w/ Control Unit
LPL-INT ^{2,3}	Limelight by Lutron Wireless Control System w/ Sensor
IRTEC/W/B ^{2,3,10}	IR-TEC OS-NET Wireless Control System w/ Sensor

¹Does not qualify for DLC

²Not available with SD347 or SD480 options

³Not available with HV option

⁴SP1/SP2 specified in combination w/ battery backups, separate surge protectors are required per electrical line

⁵56W–90W ONLY

⁶EXCLUDES 56W–90W

⁷EXCLUDES 270W–375W

⁸Must be used with FSIR/100 remote

⁹xx = % ex: 20, 30

¹⁰Must be used with SRP/281 remote

AREA LIGHT MOUNTING OPTIONS

AREA LIGHT MOUNTING OPTIONS

MOUNTING OPTIONS

- UPMB - Universal Pole Mounting Bracket - mount to any pole with a vertical drill pattern between 2"-4 1/8" bolt spacings
- UPMB/R - Universal Pole Mounting Bracket (For 4-5" round poles)
- WMB - Wall Mount Bracket
- AL-SLPF - 2 3/8" Adjustable Slip Fitter
- AL-SB - Swivel Bracket (excludes AL-270W & 375W)
- HTMA - Horizontal Tenon Mount Adaptor
- ARM6-S - 6" Straight Arm Adaptor For Square Pole
- ARM6-Rx - 6" Straight Arm Adaptor For Round Pole (x = Ø) (Specify diameter 2.5"-7")



UPMB



UPMB / R



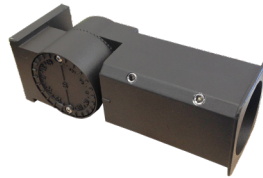
AL-SB



HTMA



WMB



AL-SLPF



ARM6-S / ARM6-Rx
(Available for Square or Round Pole)

POST TOP TENON ADAPTERS

SQUARE POST TOP FEATURES

- Square post top adapter for 2 3/8" post top tenons (concrete, steel, aluminum and composite poles)
- Standard DX2 bolt pattern for affixing ILP Straight Arm (ARM6-S) with use of ILP Area Lights
- Pre-drilled bolt patterns for single, double, triple and quad arm configurations
- Plug kit included for unused fixture mounting holes

DETAILS

- Material: Extruded 1/4" 6061-T6 Aluminum Alloy
- Dimensions: 3x3" Square OD by 11.8" tall
- Screws: (4) 1/2"-13 Cup Point Black Oxide Treated Stainless Steel
- Arm Bolt Pattern: Standard DX2
- Cap: Black Nylon
- Color: ILP Bronze
- Standard Finishes: Bronze(BRZ), Black(BLK), Silver(SLV), White(WHT)



ROUND POST TOP FEATURES

- Round post top adapter for 2 3/8"-3" OD tenon (concrete, steel, aluminum and composite poles)
- Removable spacer included
- Standard DX2 bolt pattern for affixing ILP Radius Arm (ARM6-R3.5) with use of ILP Area Lights
- Available bolt patterns for single, double, triple & quad arm configurations (Including 120° arm configuration)

DETAILS

- Material: Schedule 40 1/4" 6061-T6 Aluminum Alloy
- Dimensions: 3.5" OD Diameter by 11.8" tall
- Screws: (4) 1/2"-13 Cup Point Black Oxide Treated Stainless Steel
- Arm Bolt Pattern: Standard DX2
- Cap: Black Nylon
- Color: ILP Bronze
- Standard Finishes: Bronze(BRZ), Black(BLK), Silver(SLV), White(WHT)



POST TOP TENON OPTIONS

Square Post Top Tenon Adapter

Round Post Top Tenon Adapter

Part #	Config.	Description	Part #	Config.	Description
PTSQ-KIT		Square 2 3/8" Tenon Adapter Kit Single Mounted Fixture	PTRD-1090		Round 2 3/8"-3" OD Tenon Adapter Single Mounted Fixture
		Square 2 3/8" Tenon Adapter Kit Two Mounted Fixtures Opposed at 180°	PTRD-2180		Round 2 3/8"-3" OD Tenon Adapter Two Mounted Fixtures Opposed at 180°
		Square 2 3/8" Tenon Adapter Kit Two Mounted Fixtures at 90° ¹	PTRD-2090		Round 2 3/8"-3" OD Tenon Adapter Two Mounted Fixtures at 90° ²
		Square 2 3/8" Tenon Adapter Kit Three Mounted Fixtures at 90° ¹	PTRD-2120		Round 2 3/8"-3" OD Tenon Adapter Two Mounted Fixtures at 120°
		Square 2 3/8" Tenon Adapter Kit Four Mounted Fixtures at 90° ¹	PTRD-3090		Round 2 3/8"-3" OD Tenon Adapter Three Mounted Fixtures at 90° ²
			PTRD-3120		Round 2 3/8"-3" OD Tenon Adapter Three Mounted Fixtures at 120°
			PTRD-4090		Round 2 3/8"-3" OD Tenon Adapter Four Mounted Fixtures at 90° ²

¹ Excludes Area Light Large Housing

² Excludes Area Light Large Housing

SQUARE STEEL POLES

POLE TOP FEATURES

- 4-5" Square Steel Poles from 8'-40' (Specify height, 1' increments)
- Available in 7ga or 11ga wall thickness
- Optional Pole Finishes: Bronze (BRZ), Black (BLK), Silver (SLV), White (WHT) & custom finishes upon request.
- Shaft - 55,000 p.s.i minimum yield
- Base Covers with removable pole cap included
- Base Plates - 36,000 p.s.i. minimum yield strength
- Reinforced handholes with grounding lug and removable cover
- 2½" OD vertical tenon or luminaire drill pattern(s)
- Four galvanized anchor bolts with galvanized hardware
- Anchor bolt template included
- Optional pre-shipped anchor bolts with template—Consult Factory
- Direct Bury Pole option available (Pole Type DB)
- Pole Vibration Dampeners available upon request
- Limited Lifetime Warranty

DRILL LEGEND AVAILABLE

-1	Single Fixture Drill Pattern		-3T	Three Fixture Drill Pattern	
-2	Two Fixtures at 180° Drill Pattern		-4	Four Fixtures Drill Pattern	
-2L	Two Fixtures at 90° Drill Pattern				

EPA PRECALCULATED CHARTS

AL-56/70/90/100W FIXTURES PER POLE:

Wind Speed (mph)	≤ 110	120 mph				130 mph				140 mph				150 mph				
#Fix/Pole	1-4	1	2	3	4	1	2	3	4	1	2	3	4	1	2	3	4	
ILPOLE-XX-4-20-11-X	✓	✓	✓	✓	✓	✓	✓	✓	✓	✓	✓	✓	✓	✓	✓	✓	✓	✓
ILPOLE-XX-4-20-7-X	✓	✓	✓	✓	✓	✓	✓	✓	✓	✓	✓	✓	✓	✓	✓	✓	✓	✓
ILPOLE-XX-4-25-11-X	✓	✓	—	—	—	—	—	—	—	—	—	—	—	—	—	—	—	—
ILPOLE-XX-4-25-7-X	✓	✓	✓	✓	✓	✓	✓	✓	✓	✓	✓	✓	✓	✓	✓	✓	✓	✓
ILPOLE-XX-4-30-7-X	✓	✓	✓	—	—	—	—	—	—	—	—	—	—	—	—	—	—	—
ILPOLE-XX-5-25-7-X	✓	✓	✓	✓	✓	✓	✓	✓	✓	✓	✓	✓	✓	✓	✓	✓	✓	✓
ILPOLE-XX-5-30-7-X	✓	✓	✓	✓	✓	✓	✓	✓	✓	✓	✓	✓	✓	✓	✓	✓	✓	✓

AL-110/140/150/180/190/225W FIXTURES PER POLE:

Wind Speed (mph)	≤ 110	120 mph				130 mph				140 mph				150 mph				
#Fix/Pole	1-4	1	2	3	4	1	2	3	4	1	2	3	4	1	2	3	4	
ILPOLE-XX-4-20-11-X	✓	✓	✓	✓	✓	✓	✓	✓	✓	✓	✓	✓	✓	✓	✓	✓	✓	✓
ILPOLE-XX-4-20-7-X	✓	✓	✓	✓	✓	✓	✓	✓	✓	✓	✓	✓	✓	✓	✓	✓	✓	✓
ILPOLE-XX-4-25-11-X	✓	✓	—	—	—	—	—	—	—	—	—	—	—	—	—	—	—	—
ILPOLE-XX-4-25-7-X	✓	✓	✓	✓	✓	✓	✓	✓	✓	✓	✓	✓	✓	✓	✓	✓	✓	✓
ILPOLE-XX-4-30-7-X	✓	✓	—	—	—	—	—	—	—	—	—	—	—	—	—	—	—	—
ILPOLE-XX-5-25-7-X	✓	✓	✓	✓	✓	✓	✓	✓	✓	✓	✓	✓	✓	✓	✓	✓	✓	✓
ILPOLE-XX-5-30-7-X	✓	✓	✓	✓	✓	✓	✓	✓	✓	✓	✓	✓	✓	✓	✓	✓	✓	✓

AL-270/320/375W FIXTURES PER POLE:

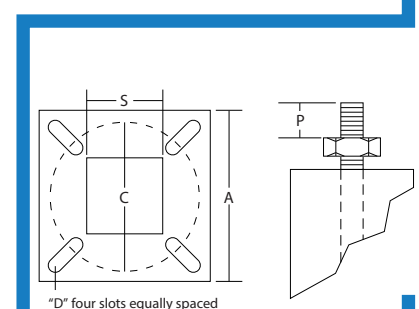
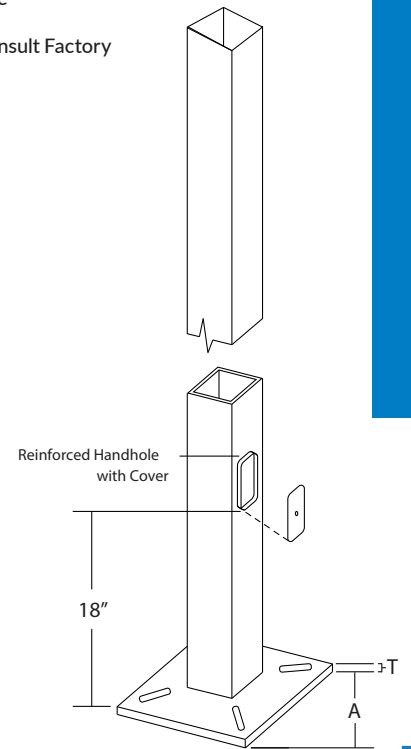
Wind Speed (mph)	≤ 110	120 mph				130 mph				140 mph				150 mph				
#Fix/Pole	1-4	1	2	3	4	1	2	3	4	1	2	3	4	1	2	3	4	
ILPOLE-XX-4-20-11-X	✓	✓	✓	✓	✓	✓	✓	✓	✓	✓	✓	✓	✓	✓	✓	✓	✓	✓
ILPOLE-XX-4-20-7-X	✓	✓	✓	✓	✓	✓	✓	✓	✓	✓	✓	✓	✓	✓	✓	✓	✓	✓
ILPOLE-XX-4-25-11-X	✓	—	—	—	—	—	—	—	—	—	—	—	—	—	—	—	—	—
ILPOLE-XX-4-25-7-X	✓	✓	✓	✓	✓	✓	✓	✓	✓	✓	✓	✓	✓	✓	✓	✓	✓	✓
ILPOLE-XX-4-30-7-X	✓	✓	—	—	—	—	—	—	—	—	—	—	—	—	—	—	—	—
ILPOLE-XX-5-25-7-X	✓	✓	✓	✓	✓	✓	✓	✓	✓	✓	✓	✓	✓	✓	✓	✓	✓	✓
ILPOLE-XX-5-30-7-X	✓	✓	✓	✓	✓	✓	✓	✓	✓	✓	✓	✓	✓	✓	✓	✓	✓	✓

SAMPLE PART #	SERIES	POLE TYPE	SHAFT SIZE	HEIGHT	GAUGE	DRILL LEGEND OR TENON
	ILPOLE	XX = SS or DB	4" or 5"	20', 25', or 30'	7 or 11	X = -1, -2, -2L, 3T, -4 or -TN2

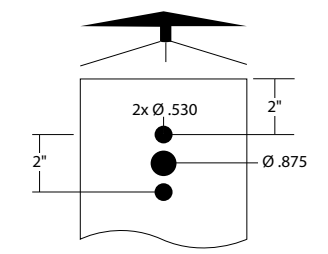
POLE SPECIFICATIONS BASED OFF SHAFT SIZE

SQUARE SHAFT SIZE [S]	SQUARE BASE SIZE [A]	BOLT CIRCLE DIAMETER [C]	SLOT SIZE [D]	SLOT RANGE	ANCHOR BOLTS	PROJECTION [P]	PLATE THICKNESS [T]
4"	10"	9"	1" x 2"	8"-10"	¾" x 20" x 3"	2"	¾"
5"	12"	11"	1¼" x 2¼"	10"-12"	1" x 36" x 3"	2½"	1"

NOTE: ILP POLES ARE NON-RETURNABLE



Drilled Hole Pattern suitable for ARM6-S & UPMB Mounting Brackets



FLOOD 2.0

FLOOD 2.0



FEATURES

- Rugged die-cast aluminum housing
- Bronze polyester powder coat finish (std.)
- Custom and factory select colors available¹
- Diffused tempered glass lens
- Hinged front frame w/ removable cover for easy access (FML & FLL)
- Watertight cord grip installed
- Mounting:
 - Yoke Mount (std.)
 - Tenon Mount Bracket (TMB)
 - Pole Mount Bracket (PMB)
 - FML J-Box Mount Adapter (BMA)
- 120-277V Universal Voltage or 347-480V (FDL Only)
- 0-10V Dimmable Driver (std.)
- 4000K CCT (std.); 3000K & 5000K (FDL Only)
- >80 Color Rendering Index (CRI)
- Calculated L₇₀ >100,000 hrs @ 25°C per TM-21-11
- IP65 Rated Luminaire
- 5 Year Warranty
- ETL Listed for Wet Locations
- DesignLights Consortium® Qualified Luminaire

¹Contact factory for availability



SUITABLE APPLICATIONS

- Parking Lots
- General Area Lighting
- Buildings
- Loading Docks

PART NUMBER

PART NUMBER	LUMENS	WATTS	Lm/W	REPLACES	DLC LISTING
FML-55WLED-UNIV-40	6,311	54	117	175W MH	PREMIUM
FLL-85WLED-UNIV-40	10,240	83	123	250W MH	PREMIUM
FDLS-120WLED-UNIV-40	14,030	122	115	400W MH	STANDARD
FDL-155WLED-UNIV-40	21,410	161	133	400W MH	PREMIUM

OPTIONS

FACTORY INSTALLED OPTIONS

HV ^{1,2,3}	High Voltage Driver 347-480V 50/60Hz
CORDW/x	Wet Location Strain Relief Cord (x=ft)
SP1 ⁴	10kA Max 120-277V Surge Protector
SP2 ⁴	22kA Max 120-277V Surge Protector
SP480V2	20kA Max 347-480V Surge Protector
FUSE/Sxxx	Single-line Voltage Fuse (120, 277, 347V)
FUSE/Dxxx	Dual-line Voltage Fuse (208, 240, 480V)
SMLxxx	Specified Lumen Output (xxx=output)
SD347 ⁴	347V Step Down Transformer
SD480 ⁴	480V Step Down Transformer

SHIP WITH ACCESSORIES

BMA	J-Box Mount Adapter (FML only)
PMBxxxx	Pole Mount Bracket w/ 3' cord (xxxx=FML, FLL, FDLS, FDL)
TMBxxxx	Tenon Mount Bracket w/ 3' cord (xxxx=FML, FLL, FDLS, FDL)
GSxxxx	External Glare Shield/Hood (xxxx=FML, FLL, FDLS, FDL)
WGxxxx ⁵	Wire Guard (xxxx=FML, FLL, FDLS, FDL)

CONTROLS—SHIP WITH ACCESSORIES

PCU⁴ Electronic UNIV Photocell (120-277V)

¹Not available with SD347 or SD480 options
²Does not qualify for DLC

³FDL Only
⁴Not available with HV option

⁵Not available with GSxxxx

CONVERTAFLOOD



CFM



CFS



Trunnion Mount Bracket

FEATURES

- Architectural die-cast aluminum housing
- Standard polyester powder coat finishes: Bronze (BRZ), Black (BLK), and White (WHT)
- Tempered glass lens with silicone gaskets
- Field Swappable NEMA optical distributions:
 - CFS: NEMA 7x6 (std.), 5x5 & 4x4
 - CFM: NEMA 7x6 (std.), 5x5, 4x4, & 3x3
- Optional NEMA optic pack includes all NEMA distributions (OPTxxx)
- Mounting:
 - ½" Knuckle (std.)
 - Trunnion Mount Bracket
 - 2¾" Tenon Cap option
- Embedded electronic photocell (std.)
- Pushbutton convertible top provides toolless access:
 - Easily swap optics
 - Field Adjustable Output (FAO) allows individual luminaire lumen output control (std.)
 - Photocell override switch
- Vandal Resistant Latch via optional locking screw
- Hood & Wire Guard kit options available
- 3ft cord included
- 120-277V Universal Voltage
- 4000K & 5000K CCT (std.), contact factory for 3000K
- >80 Color Rendering Index (CRI)
- Calculated L70 >100,000 hrs @ 25°C per TM-21-11
- IP66 Rated Luminaire
- 500 hrs Salt Spray Tested
- 5 Year Warranty
- ETL Listed for Wet Locations, Suitable for Ground Mounting
- DesignLights Consortium® Qualified Luminaire



SUITABLE APPLICATIONS

- Landscape
- Flag Pole
- Wall Wash
- Signage
- Spot & Flood Light
- Elevation Illumination

PART NUMBER

LUMENS

WATTS

Lm/W

REPLACES

DLC LISTING

PART NUMBER	LUMENS	WATTS	Lm/W	REPLACES	DLC LISTING
CFS-36W-U-40	4,183	35	119	150W MH	PREMIUM
CFM-52W-U-40	6,285	57	111	175W MH	STANDARD
CFM-85W-U-40	10,630	85	125	250W MH	PREMIUM

OPTIONS

FACTORY INSTALLED OPTIONS

SP1 10kA Max Univolt Surge Protector

SHIP WITH ACCESSORIES

- N33/xxx NEMA 3H x 3V optics (xxx=M52 & M85)
- N44/xxx NEMA 4H x 4V optics (xxx=S36, M52 & M85)
- N55/xxx NEMA 5H x 5V optics (xxx=S36, M52 & M85)
- OPTxxx All Optical Distributions included (xxx=S36, M52, or M85)
- HD/x-yyy Hood (x=S & M, yyy=fixture color)
- WG/x-yyy Wire Guard (x=S & M, yyy=fixture color)
- CF-TR/xxx 2¾" Tenon Adapter (xxx=fixture color)
- CF-TM/xxx Trunnion Mounting Bracket (xxx=fixture color)

NEW!

SLIM WALL PACK

SLIM WALL PACK



FEATURES

- Low profile die-cast aluminum housing
- Bronze polyester powder coat finish (std.)
- Custom and factory select colors available¹
- Isolated optical compartment with tempered glass lens and silicone gaskets
- 90° adjustable Type IV distribution or Optional IDA fixed model²
- Quick mount bracket standard for easy surface mount installation
- Three ½" coin plugs on sides for conduit or electronic photocell
- 120–277V Universal Voltage or 347V–480V High Voltage³
- 0–10V Dimmable Driver (std.)
- Deep box 10W battery backup & cold weather battery options available
- Optional Field Adjustable Output device (FAO) allows individual luminaire lumen output control
- 3000K, 4000K & 5000K CCT Selectable via Integral selector
- >80 Color Rendering Index (CRI)
- Calculated L₇₀ >100,000 hrs @ 25°C per TM-21-11
- IP65 Rated Luminaire
- 5 Year Warranty
- ETL Listed for Wet Locations

¹Contact factory for pricing and availability

²Fixed 3000K CCT model only

³347–480V available in 5L, 8L, 10L Lumen Packages Only



SUITABLE APPLICATIONS

- Parking Lots
- General Area Lighting
- Buildings
- Walkways

PART NUMBER

LUMENS*

WATTS

Lm/W

REPLACES

PART NUMBER	LUMENS*	WATTS	Lm/W	REPLACES
SWP-2L-U-CCTS	2,649	20	132	100W MH
SWP-3L-U-CCTS	3,310	23	144	150W MH
SWP-5L-U-CCTS	5,669	40	142	175W MH
SWP-8L-U-CCTS	8,678	60	145	250W MH
SWP-10L-U-CCTS	10,581	75	141	400W MH

*Based off 4000K Correlated Color Temperature (CCT) selected via integral selector

OPTIONS

FACTORY INSTALLED OPTIONS

HV ¹	High Voltage Driver 347–480V 50/60Hz
SP1 ²	10kA Max 120–277V Surge Protector
SP2 ²	22kA Max 120–277V Surge Protector
SP480V02	20kA Max 480V Surge Protector
IDA ³	Dark Sky IDA Fixture Seal of Approval
LEDBB ^{1,2,4}	10W UNIV Battery Backup (32°–100°F)
LEDBBCT ^{1,2,4}	20W UNIV CT Battery Backup (-4°–80°F)

SHIP WITH ACCESSORIES

FAO10V	Field Adjustable Output via 0–10V Wires
ARM3-xxx ¹	Pole Mount Arm Kit, 3" long (xxx=BRZ, BLK, WHT, SLV)
BPS-xxx	18x9 Beauty Plate Kit, Small (xxx=BRZ, BLK, WHT, SLV)
BPL-xxx	18x9 Beauty Plate Kit, Large (xxx=BRZ, BLK, WHT, SLV)

CONTROLS—SHIP WITH ACCESSORIES

PCU ²	Electronic UNIV Photocell (120–277V)
------------------	--------------------------------------

¹5L, 8L, 10L Lumen Packages Only
²Not available with HV option

³IDA models are fixed to 3000K and angle is locked downward for no uplight

⁴Not available with PCU

AL SERIES WALL MOUNT

Enhanced

AL SERIES WALL MOUNT



FEATURES

- Slim Profile die-cast aluminum housing
- Factory Select Finishes: Bronze (BRZ), Black (BLK), Silver (SLV), and White (WHT)
- Custom colors finishes available¹
- Type II, III, & IV optics available
- Spill Light Control via Integral Shield (HSS)
- Toolless hinged drop down driver access
- 120-277V Universal Voltage or 347-480V High Voltage
- 0-10V Dimmable Driver (std.)
- Battery backup option available (56W, 90W)
- PIR Occupancy, Photocell, & Bi-Level Dimming Sensors Available
- 3-Pin & 7-Pin ANSI C136.41 Control Receptacle Options
- Wireless control integrated luminaire
- 3000K, 4000K & 5000K CCT
- >80 Color Rendering Index (CRI)
- Calculated L70 >100,000 hrs @ 25°C per TM-21-11
- IP66 Rated Luminaire
- Dark Sky Compliant
- 5 Year Warranty
- ETL Listed for Wet Locations
- DesignLights Consortium® Premium Qualified Luminaire

¹Contact factory for availability



SUITABLE APPLICATIONS

- Parking Structures
- Airports
- Government Facilities
- Parks
- Shopping Centers
- Education
- Hospitals
- Car Dealerships
- Roadways

PART NUMBER

PART NUMBER	LUMENS	WATTS	Lm/W	REPLACES	DLC LISTING
AL-56W-U-40-T4-WMB	8,217	58	143	250W MH	PREMIUM
AL-90W-U-40-T4-WMB	12,461	94	131	250W MH	PREMIUM
AL-110W-U-40-T4-WMB	17,031	113	151	400W MH	PREMIUM
AL-150W-U-40-T4-WMB	20,989	149	141	400W MH	PREMIUM
AL-190W-U-40-T4-WMB	25,825	188	137	600W MH	PREMIUM
AL-225W-U-40-T4-WMB	29,372	232	127	600W MH	PREMIUM
AL-270W-U-40-T4-LARGE-WMB	38,833	270	144	1000W MH	PREMIUM
AL-375W-U-40-T4-LARGE-WMB	50,677	383	132	1000W MH	PREMIUM

OPTIONS

FACTORY INSTALLED OPTIONS

HV ¹	High Voltage Driver 347-480V 50/60Hz
SP1 ^{2,3}	10kA Max 120-277V Surge Protector
SP2 ^{2,3}	22kA Max 120-277V Surge Protector
SP480V02 ²	20kA 347-480V Surge Protector
FI/ILBCP05 ⁴	5W UNIV Battery Backup (32°-100°F)
FUSE/Sxxx	Single-line Voltage Fuse (120, 277, 347V)
FUSE/Dxxx	Dual-line Voltage Fuse (208, 240, 480V)
SMLxxxx	Specified Lumen Output (xxxx=lumenoutput)
SD347 ^{3,5}	347V Step Down Transformer
SD480 ^{3,5}	480V Step Down Transformer
TPS/L	Tamperproof Screws Latches Only
TPS/FF	Tamperproof Screws Full Fixture

SHIP WITH ACCESSORIES

PCU ³	Electronic UNIV Photocell (120-277V)
TLPC/UNIV	Photocell for use w/ CRxP option (120-277V)
TLPC/347	Photocell for use w/ CRxP option(347V)
TLPC/480	Photocell for use w/ CRxP option(480V)
FSIR/100	Remote Configuration Tool (USB, BDxx, BDxxPC, WLOS)
SRP/281	IR-TEC OS-NET Remote Sensor Configuration Tool

CONTROLS—FACTORY INSTALLED

CR3P	3-Pin Control Receptacle
CR7P	7-Pin Control Receptacle ANSI C136.41
WLOS	PIR Occupancy Sensor
USB ⁷	User Select Bi-Level Dim Occ. Sensor
BDxx ⁸	Preset Bi-Level Dim Sensor (xx=%, ex: 20, 30)
BDxxPC ⁸	Preset Bi-Level Dim Sensor w/ photocell (xx=%, ex: 20, 30)
SU/5S/LR/IL ^{1,3}	Enlighted 5S Individual Lighting (IL) Sensor w/ Control Unit
SU/5S/LR/CL ^{1,3}	Enlighted 5S Connected Lighting (CL) Sensor w/ Control Unit
SU/5S/LR/IOT ^{1,3}	Enlighted 5S Internet of Things (IOT) Sensor w/ Control Unit
LPL-INT ^{1,3}	Limelight by Lutron Wireless Control System w/ Sensor
IRTEC/W/B ^{1,3,8}	IR-TEC OS-NET Wireless Control System w/ Sensor

¹Not available with SD347 or SD480 options

²SP1/SP2 specified in combination w/ battery backups, separate surge protectors are required per electrical line

³Not available with HV option

⁴56W-90W ONLY
⁵EXCLUDES 56W-90W

⁶EXCLUDES 270W-375W

⁷Must be used with FSIR/100 remote
⁸Must be used with SRP/281 remote

OPEN FACE WALL PACK

OPEN FACE
WALL PACK



FEATURES

- Rugged die-cast aluminum housing
- Bronze polyester powder coat finish (std.)
- Custom and factory select colors available¹
- Non-Cutoff Type IV distribution
- Optional Hood for semi-cutoff Type IV distribution
- Impact resistant frosted low glare prismatic polycarbonate lens with UV stabilizers
- Silicone lens gasket and rubber housing gasket provide secure watertight seal
- Built in base bubble level for easy installation
- ½" coin plugs with o-rings for conduit or optional photocell
- 120-277V Universal Voltage
- 0-10V Dimmable Driver (std.)
- Battery backup & cold weather battery options available
- PIR Occupancy, Photocell, & Bi-Level Dimming sensors available
- 4000K & 5000K CCT
- >70 Color Rendering Index (CRI)
- Calculated L70 >75,000 Hours @ 25°C per TM-21-11
- IP65 Rated Luminaire
- 5 Year Warranty
- ETL Listed for Wet Locations
- DesignLights Consortium® Qualified Luminaire

¹Contact factory for pricing and availability



SUITABLE APPLICATIONS

- Schools
- Warehouses
- Shopping Centers
- General Area Lighting

PART NUMBER	LUMENS	WATTS	Lm/W	REPLACES	DLC LISTING
WPSO-30WLED-UNIV-40	4,097	31	130	100W MH	PREMIUM
WPMO-45WLED-UNIV-40	5,049	45	113	175W MH	STANDARD
WPMO-70WLED-UNIV-40	7,770	70	112	250W MH	STANDARD
WPLO-90WLED-UNIV-40	10,414	90	116	320W MH	STANDARD
WPLO-135WLED-UNIV-40	15,340	135	114	400W MH	STANDARD

OPTIONS

FACTORY INSTALLED OPTIONS

SP1 ^{1,2}	10kA Max 120-277V Surge Protector
SP2 ^{1,2}	22kA Max 120-277V Surge Protector
SP480V02 ¹	20kA Max 347-480V Surge Protector
FI/ILBCP05 ^{1,3}	5W BB Factory Installed (32°F -100°F)
FI/ILBCP07 ^{3,4}	7W LED Factory Installed Battery Backup
FI/ILBCP10 ^{3,4}	10W LED Factory Installed Battery Backup
FI/ILBCP12 ^{3,4}	12W LED Factory Installed Battery Backup
LEDBBCT10 ^{1,3}	10W UNIV CT Battery backup (-4°-80°F)
LEDBBCT ^{1,3}	LED -4°F-80°F Battery Backup
FUSE/Sxxx ¹	Single-line Voltage Fuse (120, 277, 347V)
FUSE/Dxxx ¹	Dual-line Voltage Fuse (208, 240, 480V)
SMLxxxx ¹	Specified Lumen Output (xxxx=lumen output)
SD347 ¹	347V Step Down Transformer
SD480 ¹	480V Step Down Transformer

SHIP WITH ACCESSORIES

PCU	Electronic UNIV Photocell (120-277V)
HD/xxxx ¹	Hood/Glare Shield (xxxx= WPMO/WPLO)
FSIR/100	Remote Configuration Tool (USBD, BDxx, BDxxPC, & WLOS)

CONTROLS—FACTORY INSTALLED

WLOS ¹	PIR Occupancy Sensor
USBD ^{1,8}	User Select Bi-Level Dim Occ. Sensor
BDxx ¹	Preset Bi-Level Dim Sensor (xx=% eg. 20,30)
BDxxPC ¹	Preset Bi-Level Dim Sensor w/ Photocell (xx=% eg. 20,30)

¹WPMO & WPLO only

²SP1/SP2 specified in combination w/ battery backup, separate surge units are required per electrical line

³Not available with SD347 or SD480 options

⁴WPLO only

⁸Requires (1) FSIR/100 remote configuration tool to program sensor

FULL CUTOFF WALL PACK

Enhanced



FEATURES

- Rugged die-cast aluminum housing
- Factory Select Finishes: Bronze (BRZ), Black (BLK), Silver (SLV), and White (WHT)
- Custom colors finishes available¹
- Type II, III, & IV optics available
- Cast-in template for mounting directly over a 4" recessed outlet box
- Side hinged full cutoff front frame
- ½" Coin plugs with o-rings for conduit or optional photocell
- 120–277V Universal Voltage; 347–480V High Voltage (HV WPCM only)
- 0–10V Dimmable Driver (std.)
- Battery backup & cold weather battery options available
- PIR Occupancy, Photocell, & Bi-Level Dimming sensors available
- Wireless control integrated luminaire
- 3000K, 4000K & 5000K CCT
- >70 Color Rendering Index (CRI)
- Calculated L70 >100,000 hrs @ 25°C per TM-21-11
- Dark Sky Compliant²
- Luminaire is proudly designed & assembled in the U.S. & imported components
- 5 Year Warranty
- ETL Listed for Wet Locations
- DesignLight Consortium® Qualified Luminaire

¹Contact factory for pricing and availability

²Compliant with 3000K CCT Only

FULL CUTOFF WALL PACK



SUITABLE APPLICATIONS

- Parking Lots
- Loading Dock Areas
- Building Entrance Ways
- Exterior Wall Lighting

PART NUMBER

PART NUMBER	LUMENS	WATTS	Lm/W	REPLACES	DLC LISTING
WPCS-28WLED-UNIV-40-T4	3,277	29	115	175W MH	PREMIUM
WPCS-44WLED-UNIV-40-T4	4,618	42	109	250W MH	PREMIUM
WPCM-28WLED-UNIV-40-T4	3,513	27	132	175W MH	PREMIUM
WPCM-44WLED-UNIV-40-T4	4,930	39	126	250W MH	PREMIUM
WPCM-75WLED-UNIV-40-T4	8,344	74	113	400W MH	STANDARD
WPCM-105WLED-UNIV-40-T4	11,404	105	108	400W MH	STANDARD

OPTIONS

FACTORY INSTALLED OPTIONS

HV ^{1,2,5}	High Voltage Driver 347–480V 50/60Hz
SP1 ^{3,4}	10kA Max 120–277V Surge Protector
SP2 ^{3,4}	22kA Max 120–277V Surge Protector
SP480V02 ⁴	20kA Max 347–480V Surge Protector
FUSE/Sxxx	Single-line Voltage Fuse (120, 277, 347V)
FUSE/Dxxx	Dual-line Voltage Fuse (208, 240, 480V)
FI/ILBCP05 ^{3,5}	5W BB Factory Installed (32°F –100°F)
FI/ILBCP07 ^{2,3,5}	7W LED Factory Installed Battery Backup
FI/ILBCP10 ^{1,3,5}	10W LED Factory Installed Battery Backup
FI/ILBCP12 ^{1,3,5}	12W LED Factory Installed Battery Backup
LEDBBCT10 ^{1,3,5}	10W UNIV CT Battery backup (-4°–80°F)
LEDBBCT ^{1,3,5}	LED -4°F–80°F Battery Backup
SMLxxxx	Specified Lumen Output (xxxx=lumen output)
SD347 ³	347V Step Down Transformer
SD480 ³	480V Step Down Transformer
DD ^{1,2,5,9}	Dual Driver (cannot be combined w/ SD or BB)

SHIP WITH ACCESSORIES

PCU ³	Electronic UNIV Photocell (120–277V)
WPC15WG ^{6,7}	Wire Guard
WPC25WG ^{2,7}	Wire Guard
GSxxxx	3-Sided Glare Shield Glossy White (xxxx= WPCS or WPCM)
FSIR/100	Remote Configuration Tool (USBD, BDxx, BDxxPC, & WLOS)
SRP/281	IR-TEC OS-NET Remote Sensor Configuration Tool

CONTROLS—FACTORY INSTALLED

WLOS ²	PIR Occupancy Sensor
USBD ^{2,8}	User Select Bi-Level Dim Occ. Sensor
BDxx ²	Preset Bi-Level Dim Sensor (xx=% eg. 20,30)
BDxxPC ²	Preset Bi-Level Dim Sensor w/ Photocell
SU/5S/LR/IL ^{2,3,5}	Enlighted 5S Individual Lighting (IL) Sensor w/ Control Unit
SU/5S/LR/CL ^{2,3,5}	Enlighted 5S Connected Lighting (CL) Sensor w/ Control Unit
SU/5S/LR/IOT ^{2,3,5}	Enlighted 5S Internet of Things (IOT) Sensor w/ Control Unit
LPL-INT ^{2,3,5}	Limelight by Lutron Wireless Control System with Sensor
IRTEC/W/B ^{2,3,5,8}	IR-TEC OS-NET Wireless Control System with Sensor

¹Does not qualify for DLC

²WPCM Only

³Not available with HV option

⁴SP1/SP2 specified in combination w/ battery backups, separate surge protectors are required per electrical line

⁵Not available with SD347 or SD480 options

⁶WPCS Only

⁷Not available with GSxxx

⁸Requires (1) SRP/281 remote configuration tool to program sensor

⁹Not available w/ battery backups

NEW!

VALUE SQUARE CANOPY



FEATURES

- Low profile die-cast aluminum housing
- Bronze polyester powder coat finish (std.)
- Custom and factory select finishes available¹
- UV stabilized and impact resistant diffuse polycarbonate lenses
- Up to 3% Uplight eliminates cave effect
- T5 Medium lens standard; Optional T5 Wide parking garage lens (PG)
- Quick mount bracket standard for easy surface mount installation
- 3/4" conduit entry on top for center pendant mount or surface mount
- Three 1/2" coin plugs on sides for conduit or photocell
- 120–277V Universal Voltage or 347–480V High Voltage
- 0–10V Dimmable Driver (std.)
- Remote Battery backup & cold weather battery options available
- Optional Microwave sensor for 360-degree motion detection discretely installed behind the lens
- 4000K & 5000K CCT
- >80 Color Rendering Index (CRI)
- Calculated L70 >50,000 hrs @ 25°C per TM-21-11
- IP65 Rated Luminaire
- 5 Year Warranty
- UL Listed for Wet Locations
- DesignLights Consortium® Premium Qualified Luminaire

¹Consult factory for pricing and availability



SUITABLE APPLICATIONS

- Walkways
- Stairways
- Building Perimeter / Security Lighting
- Car Ports
- Loading Docks
- Parking Garages
- Entrances

PART NUMBER	LUMENS	WATTS	Lm/W	REPLACES	DLC LISTING
CP-5L-U-40	5,090 lm	40	127	100W MH	PREMIUM
CP-7L-U-40	7,328 lm	59	124	100W MH	PREMIUM
CP-9L-U-40	8,192 lm	66	124	150W MH	PREMIUM

OPTIONS

FACTORY INSTALLED OPTIONS

HV	High Voltage Driver 347–480V 50/60Hz
PG	T5 Wide Parking Garage Lens
CORDx	3-Wire Cord (x=ft)
SP1 ^{1,2}	10kA Max 120–277V Surge Protector
SP2 ^{1,2}	22kA Max 120–277V Surge Protector
SP480V02 ²	20kA Max 347–480V Surge Protector
FUSE/Sxxx	Single-line Voltage Fuse (120, 277, 347)
FUSE/Dxxx	Dual-line Voltage Fuse for (208V, 240, 480)
FI/ILBCP05 ^{1,3}	Remote 5W UNIV Battery backup (32°–100°F)
FI/ILBCP07 ^{1,3}	Remote 7W UNIV Battery backup (32°–100°F)
FI/ILBCP10 ^{1,3}	Remote 10W UNIV Battery backup (32°–100°F)
FI/ILBCP12 ^{1,3}	Remote 12W UNIV Battery backup (32°–100°F)
LEDBBCT10 ^{1,3}	Remote 10W UNIV CT Battery backup (-4°–80°F)
LEDBBCT1 ^{1,3}	Remote 20W UNIV CT Battery backup (-4°–80°F)
SD347 ¹	347V Step Down Transformer (Excludes 28W)
SD480 ¹	480V Step Down Transformer (Excludes 28W)

SHIP WITH ACCESSORIES

PCU^{1,4} Photocell Universal Voltage (120–277V)

CONTROLS—FACTORY INSTALLED

MWS¹ 360° Microwave Motion Sensor (120–277V)

¹Not available with HV option

²SP1/SP2 specified in combination with Battery Backups, separate surge protectors are required per electrical line

³Remote Mounting Box required, consult factory

⁴Not available with MWS Option

UFO PARKING GARAGE

Enhanced

UFO PARKING GARAGE



FEATURES

- Low profile die-cast aluminum housing
- Factory Select Finishes: Bronze (BRZ), Black (BLK), Silver (SLV), and White (WHT)
- Custom colors finishes available¹
- Frosted Polycarbonate Lens (std.)
- T5 Wide distribution standard; Optional T5 narrow lowbay optic (LB) (concentrated distribution for atrium or exit/egress applications)
- Up to 10% uplight standard eliminates cave effect
- Mounting: Quick surface mount bracket (std.), ½" pendant (std.), or optional trunnion mount bracket
- Four ½" coin plugs on sides for conduit or photocell
- 120–277V Universal Voltage or 347–480V High Voltage
- 0–10V Dimmable Driver (std.)
- Battery backup & cold weather battery options available
- PIR Occupancy, Photocell & Bi-Level Dimming sensors available
- Wireless control integrated luminaire
- 3000K, 4000K & 5000K CCT
- >80 Color Rendering Index (CRI)
- Calculated L₇₀ >100,000 hrs @ 25°C per TM-21-11
- IP66 Rated Luminaire
- 5 Year Warranty
- ETL Listed for Wet Locations
- DesignLights Consortium® Premium Qualified Luminaire

¹Contact factory for pricing and availability



SUITABLE APPLICATIONS

- Parking Garages
- Low Bay
- Car Wash
- Canopies
- Entrance Way

PART NUMBER

PART NUMBER	LUMENS	WATTS	Lm/W	REPLACES	DLC LISTING
UFO-28WLED-UNIV-40	3,450	27	124	150W MH	PREMIUM
UFO-40WLED-UNIV-40	4,985	42	118	150W MH	PREMIUM
UFO-58WLED-UNIV-40	7,135	57	125	175W MH	PREMIUM
UFO-75WLED-UNIV-40	9,266	76	121	250W MH	PREMIUM
UFO-28WLED-UNIV-40-LB	3,819	27	144	150W MH	PREMIUM
UFO-40WLED-UNIV-40-LB	5,567	40	139	150W MH	PREMIUM
UFO-58WLED-UNIV-40-LB	7,260	58	126	175W MH	PREMIUM
UFO-75WLED-UNIV-40-LB	9,482	77	124	250W MH	PREMIUM

OPTIONS

FACTORY INSTALLED OPTIONS

HV ^{1,2}	High Voltage Driver 347–480V 50/60Hz
LB	T5 Narrow Low Bay Distribution
CORDx	3-Wire Cord (x=ft)
SP1 ^{3,4}	10kA Max 120–277V Surge Protector
SP2 ^{3,4}	22kA Max 120–277V Surge Protector
SP480V02 ⁴	20kA Max 347–480V Surge Protector
FUSE/Sxxx	Single-line Voltage Fuse (120, 277, 347V)
FUSE/Dxxx	Dual-line Voltage Fuse (208, 240, 480V)
FI/ILBCP05 ^{1,3}	5W UNIV Battery backup (32°–100°F)
LEDBBCT ^{1,3}	20W UNIV CT Battery backup (-4°–80°F)
LEDBBCT10 ^{1,3}	10W UNIV CT Battery backup (-4°–80°F)
SMLxxxx	Specified Lumen Output (xxxx=lumen output)
SD347 ^{2,3,5}	347V Step Down Transformer
SD480 ^{2,3,5}	480V Step Down Transformer

SHIP WITH ACCESSORIES

PCU ³	Electronic UNIV Photocell (120–277V)
FSIR/100	Remote Configuration Tool (USB, BDxx, BDxxPC, & WLOS)
SRP/281	IR-TECOS-NET Remote Sensor Configuration Tool
BCS	Bird Cone Shield (Pendant Mount Only)
TB	Trunnion Mount Bracket

CONTROLS—FACTORY INSTALLED

WLOS	PIR Occupancy Sensor
USBD ⁶	User Select Bi-Level Dim Occ. Sensor
BDxx	Preset Bi-Level Dim Sensor (xx=% ex: 20,30)
BDxxPC	Preset Bi-Level Dim Sensor w/ photocell (xx=% ex: 20,30)
SU/5S/LR/IL ^{1,3}	Enlighted 5S Individual Lighting (IL) Sensor w/ Control Unit
SU/5S/LR/CL ^{1,3}	Enlighted 5S Connected Lighting (CL) Sensor w/ Control Unit
SU/5S/LR/IOT ^{1,3}	Enlighted 5S Internet of Things (IOT) Sensor w/ Control Unit
LPL-INT ^{1,3}	Limelight by Lutron Wireless Control System w/ Sensor
IRTEC/W/B ^{1,3,7}	IR-TEC OS-NET Wireless Control System w/ Sensor

¹Not available with SD347 or SD480 options

²Does not qualify for DLC

³Not available with HV option

⁴SP1/SP2 specified in combination w/ Battery Backups, separate surge protectors are required per electrical line
⁵Excludes 28W

⁶Requires (1) FSIR/100 remote configuration tool to program sensor

⁷Requires (1) SRP/281 remote configuration tool to program sensor

AMAZON PARKING GARAGE

AMAZON PARKING GARAGE



FEATURES

- 2ft & 4ft Vapor Tight with Parking Garage optics
- Impact resistant Linear Ribbed Frosted Acrylic Lens (RAFL) (std.)
- Linear Ribbed Clear Polycarbonate Lens option (RCPL)
- Continuous poured, closed cell polyurethane gasket
- Stainless steel mounting brackets for drill free mounting (std.)
- Polycarbonate Latches (std.), Stainless Steel (SS) optional
- Optional Tamper Proof Screws (TPS)
- 120–277V Universal Voltage
- 0–10V Dimmable Driver
- 4000K & 5000K CCT
- >80 Color Rendering Index (CRI)
- Calculated L₇₀ >100,000 hrs @ 25°C per TM-21-11
- Fiberglass body attributes:
 - IP65, IP66, IP67 (Dust tight, low/high pressure water jets and immerse 1M)
 - NEMA4X, NSF Listed & 5VA Flame Rating
- 5 Year Warranty
- ETL Listed for Wet Locations
- DesignLights Consortium® Qualified Luminaire



SUITABLE APPLICATIONS

- Parking Garages
- Food Processing & Preparation
- Shopping Malls
- Residential Complexes
- Car Lots
- Car Washes and Pool Areas

PART NUMBER

PART NUMBER	LUMENS	WATTS	Lm/W	REPLACES	DLC LISTING
WTPG-35WLED-UNIV-4000K-RAFL	3,361	37	91	150W MH	STANDARD
WTPG4-70WLED-UNIV-4000K-RAFL	7,456	76	99	175W MH	STANDARD

OPTIONS

FACTORY INSTALLED OPTIONS

CORDWx ¹	Wet Location Strain Relief Cord (x=ft)
CORDW6FT/5WIRE/600V	6' 5 wire cord w/ 3 leads attached to power and 2 leads attached to dimming
CORDW6FT/6WIRE/600V	6' 6 wire cord w/ 3 leads for fixture power, 1 lead for battery backup power, & 2 leads for dimming
SP1 ²	10kA Max 120–277V Surge Protector
SP2 ²	22kA Max 120–277V Surge Protector
FUSE/Sxxx	Single-line Voltage Fuse (120, 277, 347V)
FUSE/Dxxx	Dual-line Voltage Fuse (208, 240, 480V)
FI/ILBCP05 ^{1,3}	5W LED Factory Installed Battery Backup
FI/ILBCP07 ^{1,3}	7W LED Factory Installed Battery Backup
FI/ILBCP10 ^{1,3}	10W LED Factory Installed Battery Backup
FI/ILBCP12 ^{1,3}	12W LED Factory Installed Battery Backup
LEDBBCT ^{1,3}	LED -4°F–80°F Battery Backup
LEDBBCT10 ^{1,3}	10W UNIV CT Battery backup (-4°–80°F)
SD347	347V Step Down Transformer
SD480	480V Step Down Transformer
SS	Stainless Steel Lens Latches (2ft/4ft)

SHIP WITH ACCESSORIES

PCU	Photocell Universal Voltage (120–277V)
FMB	Fixture Mounting Box (Use when single point mounting w/ HUB)
HUB 3/4	Conduit Hub 3/4" for pendant mounts
TPS	Tamper Proof Screws
FSIR/100	Remote Configuration Tool (USBD, BDxx, BDxxPC & WLOS)

CONTROLS—FACTORY INSTALLED

DIM	0–10V Dimming Leads for External Signal
MWS	360° Microwave Motion Sensor (120–277V)
USBD ^{4,5}	User Select Bi-Level Dim Occ. Sensor
BDxx ⁵	Preset Bi-Level Dim Sensor (xx=% eg. 20,30)
BDxxPC ⁵	Preset Bi-Level Dim Sensor w/ Photocell
WLOS ⁵	Wet Location Sensor Installed

¹Not available with SD347 or SD480 options
²SP1/SP2 specified in combination with Battery Backups, separate surge protectors are required per electrical line

³WTPG4 Only
⁴Requires (1) FSIR/100 remote configuration tool to program sensor
⁵End Mounted Sensor

BOLLARDS



FEATURES

- 6" Flat Top or Dome Top head with aluminum cone reflector
- 42" housing with seamless extruded aluminum shaft (Alternate heights available in 6" increments)
- Stainless Steel housing available for Domed Top only (SS)
- Bronze or Black polyester powder coat finishes (std.)
- Custom and factory select finishes available¹
- Clear Impact Resistant Polycarbonate Lens
- Lower housing attaches to cast aluminum base plate with four stainless tamper proof fasteners
- Optional retrofit base kit adapts new bollards to most existing bolt patterns
- 8" anchor bolts (std.), optional 4", 12" & 15"
- Multiple beam spread options: 90°, 180° & 270°
- Internal driver tray for easy maintenance
- 120-277V Universal Voltage
- 0-10V Dimmable Driver (std.)
- 4000K CCT
- >80 Color Rendering Index (CRI)
- Calculated L₇₀ >50,000 hrs @ 25°C per TM-21-11
- IP65 Rated Luminaire
- 5 Year Warranty
- ETL Listed for Wet Locations

¹Contact factory for availability



SUITABLE APPLICATIONS

- Walkways
- Parking Lots
- Boardwalks

PART NUMBER

LUMENS

WATTS

Lm/W

REPLACES

BLFT-15WLED-UNIV-4000K	1,402	17	83	100W MH
BLDT-15WLED-UNIV-4000K	1,221	16	74	100W MH
BLDT-15WLED-UNIV-4000K-SS	1,221	16	74	100W MH

OPTIONS

FACTORY INSTALLED OPTIONS

- 90BS 90° Beam Spread
- 180BS 180° Beam Spread
- 270BS 270° Beam Spread

SHIP WITH ACCESSORIES

- RPL Replacement Polycarbonate Lens
- AB4 Bracket with (3) 4" Anchor Bolts
- AB8 Bracket with (3) 8" Anchor Bolts
- AB12 Bracket with (3) 12" Anchor Bolts
- AB15 Bracket with (3) 15" Anchor Bolts
- BL/RETBASE Retrofit Base Kit



*"YOUR NUMBER ONE SOURCE
FOR ENERGY EFFICIENT LIGHTING"*

WWW.ILP-INC.COM
407-478-3759
02 / 2020
An ILLUMUS Brand