



# SWP ARM POLE MOUNT KIT INSTALLATION INSTRUCTIONS

## MODELS:

SWP-2L-(XXXXX)

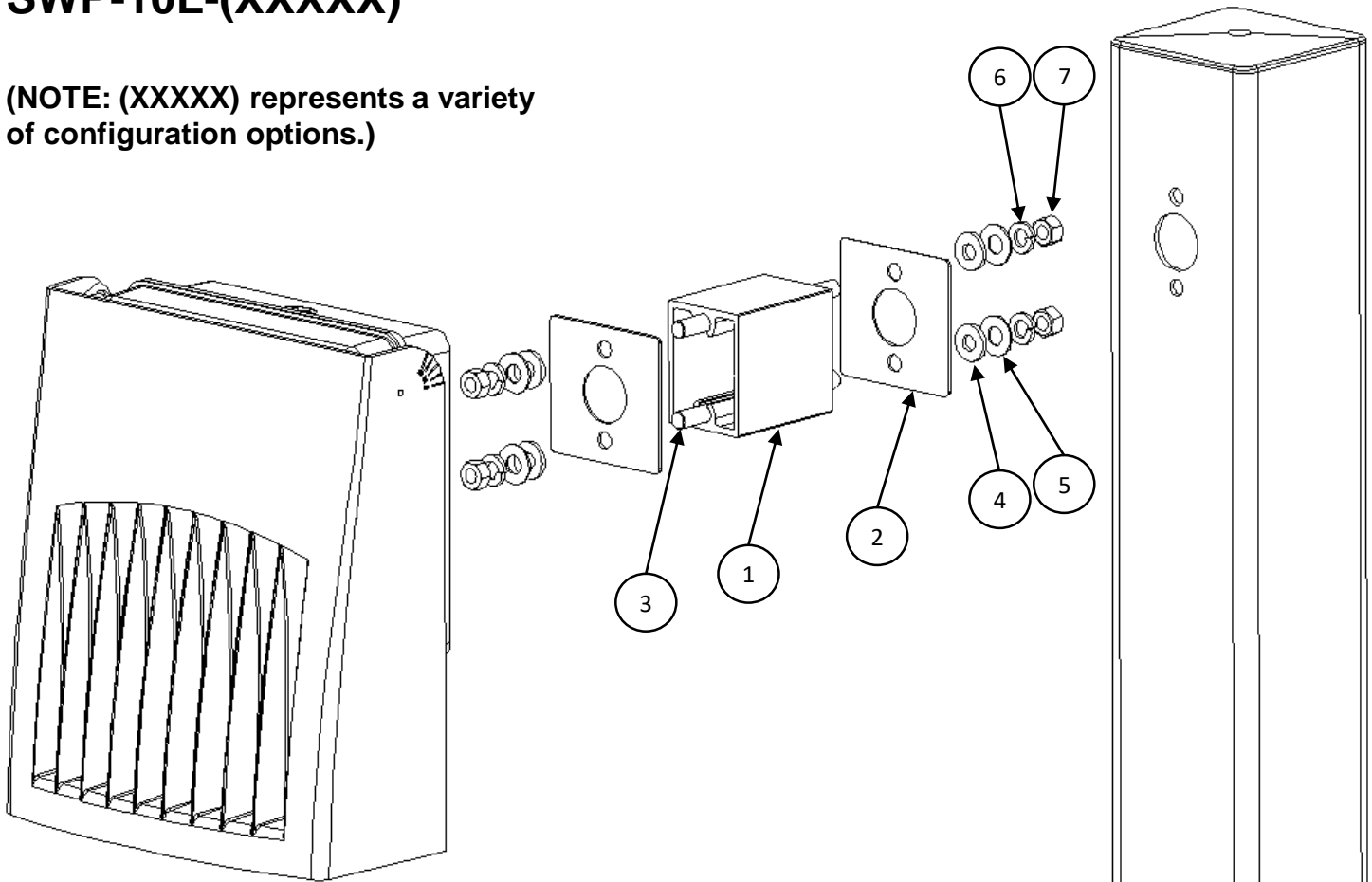
SWP-3L-(XXXXX)

SWP-5L-(XXXXX)

SWP-8L-(XXXXX)

SWP-10L-(XXXXX)

(NOTE: (XXXXX) represents a variety of configuration options.)



PARTS LIST		
Tag	Qty	Description
1	1	POLE MOUNTING ARM
2	2	AL MOUNTING ARM GASKET
3	2	3/8-16 X 5 THREADED ROD
4	4	3/8 EPDM WASHER
5	4	3/8 FLAT WASHER
6	4	3/8 SPLIT WASHER
7	4	3/8-16 HEX NUT

(NOTE: SWP Fixture and Pole sold separately.)



# SWP ARM POLE MOUNT KIT INSTALLATION INSTRUCTIONS

**CAUTION:**

BE SURE TO READ COMPLETELY THROUGH THE INSTRUCTIONS SUPPLIED WITH THE SWP FIXTURE AS WELL AS THIS DOCUMENT PRIOR TO INSTALLATION.  
RISK OF SHOCK.

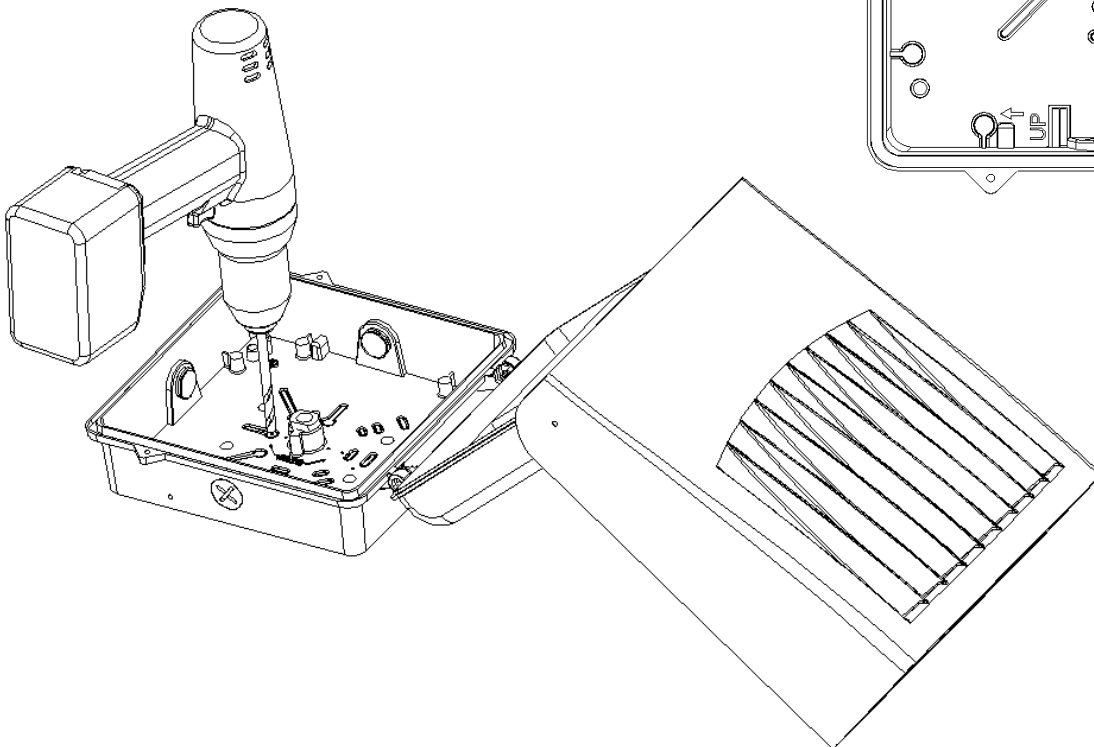
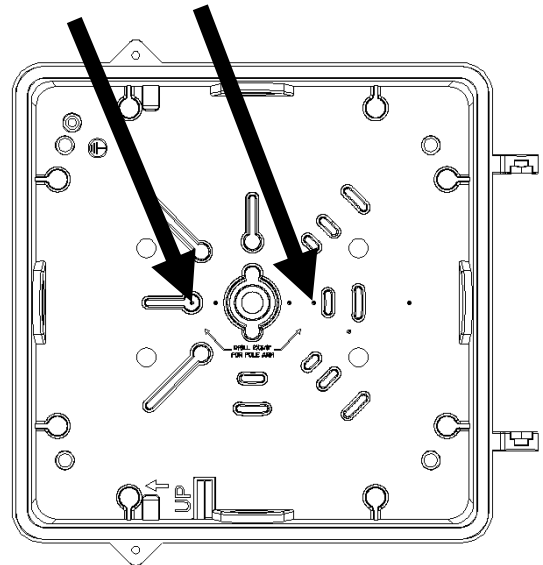
**TOOLS REQUIRED:**

3/8" Drill

Two 9/16" Wrenches

**INSTALLATION INSTRUCTIONS:**

- Open the SWP fixture housing and drill out the two holes as shown in the images below. There are drill center points molded into the housing to make this process easier.
- Deburr the holes to ensure a good seal around the gasket. Take care to avoid damaging the wires exiting the fixture.





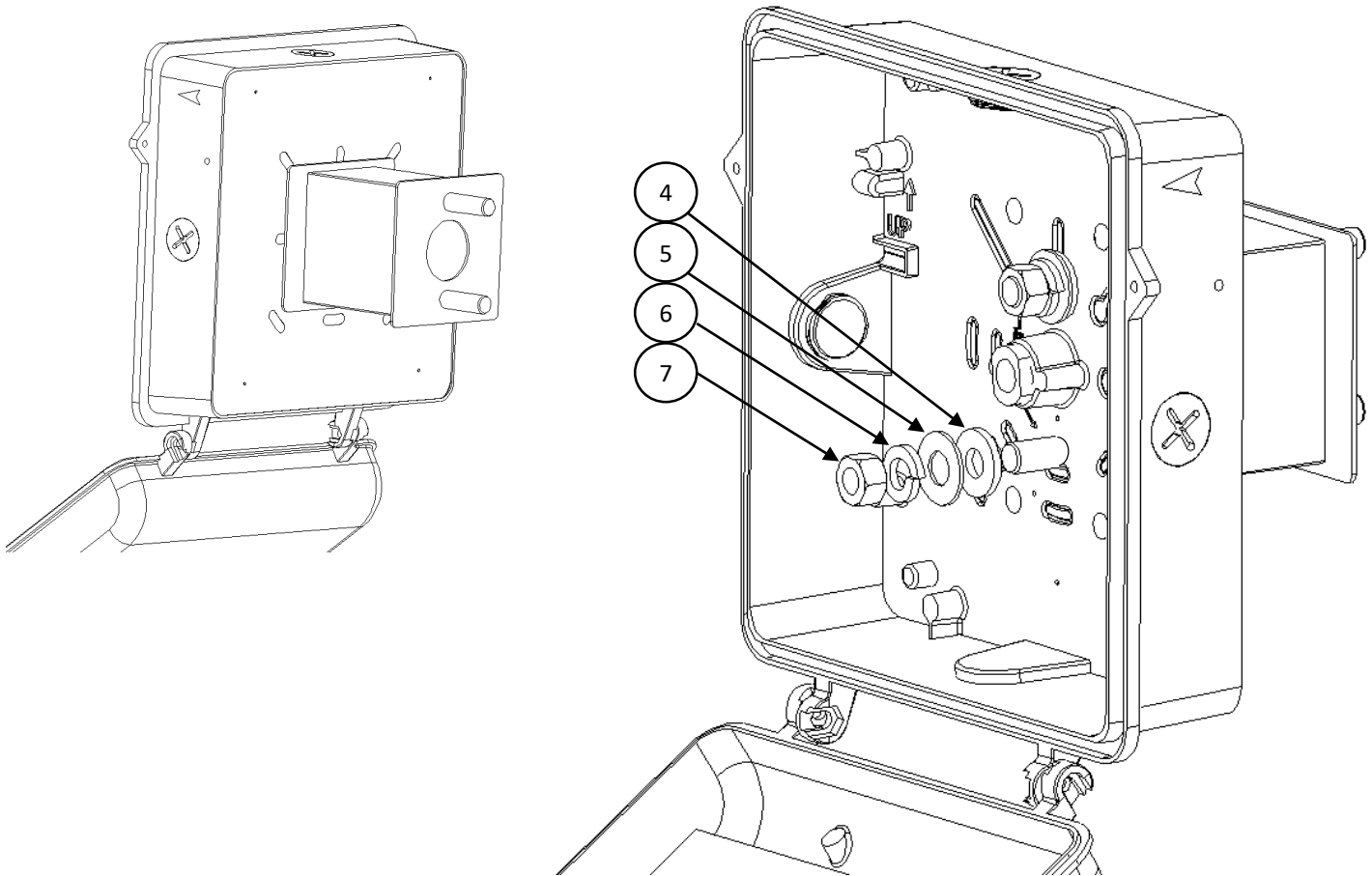
# SWP ARM POLE MOUNT KIT INSTALLATION INSTRUCTIONS

**CAUTION:**

BE SURE TO READ COMPLETELY THROUGH THE INSTRUCTIONS SUPPLIED WITH THE SWP FIXTURE AS WELL AS THIS DOCUMENT PRIOR TO INSTALLATION.  
RISK OF SHOCK.

**INSTALLATION INSTRUCTIONS (CONTINUED):**

- Slide the fixture wires through a gasket (item 2), ARM (item 1) and the second gasket. Slide the two threaded rods (item 3) through the ARM, gaskets, and then through the holes drilled into the fixture as shown in the image below.
- Place washers and hex nut (items 4-7) on each threaded rod as shown below, inside the fixture housing. Follow the washer sequence identified below.





# SWP ARM POLE MOUNT KIT INSTALLATION INSTRUCTIONS

**CAUTION:**

BE SURE TO READ COMPLETELY THROUGH THE INSTRUCTIONS SUPPLIED WITH THE SWP FIXTURE AS WELL AS THIS DOCUMENT PRIOR TO INSTALLATION.  
RISK OF SHOCK.

**INSTALLATION INSTRUCTIONS (CONTINUED):**

- Slide the threaded rods and fixture wires through the pole as shown in the image below. Place washers and hex nuts on the threaded rods in the same sequence as shown earlier (with rubber washer against the inside of the pole).
- With a wrench on a hex nut at each end of a threaded rod, tighten until you achieve light pressure on the gaskets. Repeat for the second threaded rod. Tighten each threaded rod until firm and even pressure is applied all the way around the perimeter of the ARM.
- Connect the wires and power up the fixture.

