



SWP BEAUTY PLATE KIT INSTALLATION INSTRUCTIONS

MODELS:

SWP-2L-(XXXXX)

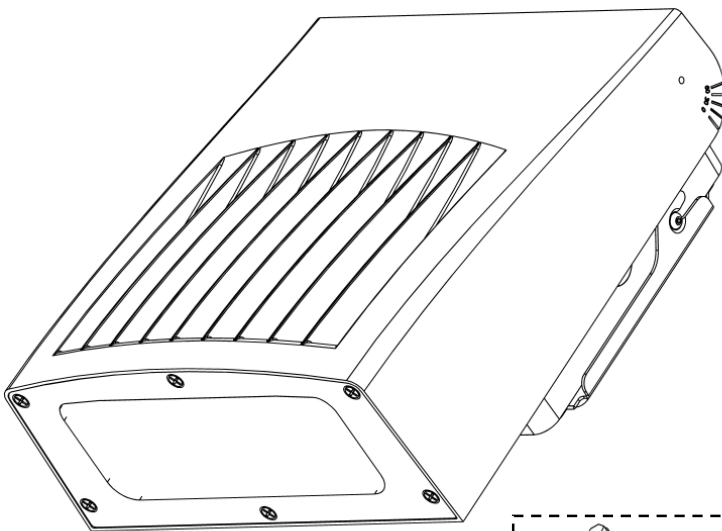
SWP-3L-(XXXXX)

SWP-5L-(XXXXX)

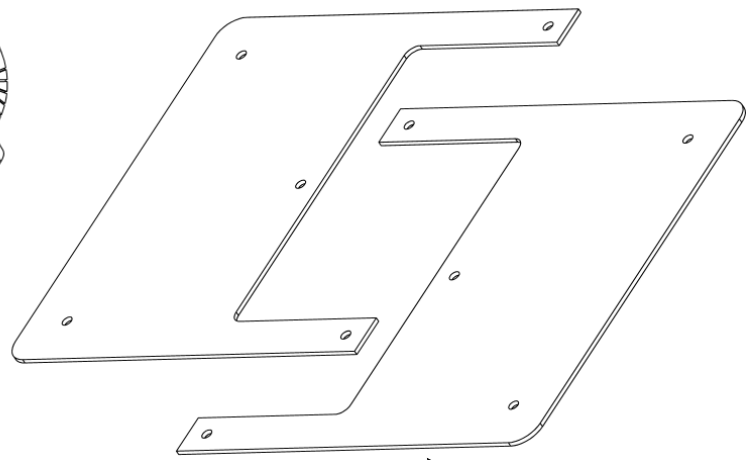
SWP-8L-(XXXXX)

SWP-10L-(XXXXX)

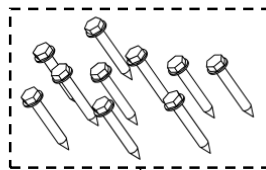
(NOTE: (XXXXX) represents a variety of configuration options.)



(SWP Fixture sold separately.)



1



(Lag bolts or screws supplied by others. (Qty 10 pcs) #10 lag screws are recommended.)

PARTS LIST		
Tag	Qty	Description
1	2	BEAUTY PLATE HALF



SWP BEAUTY PLATE KIT INSTALLATION INSTRUCTIONS

CAUTION:

BE SURE TO READ COMPLETELY THROUGH THE INSTRUCTIONS SUPPLIED WITH THE SWP FIXTURE AS WELL AS THIS DOCUMENT PRIOR TO INSTALLATION.

TOOLS REQUIRED:

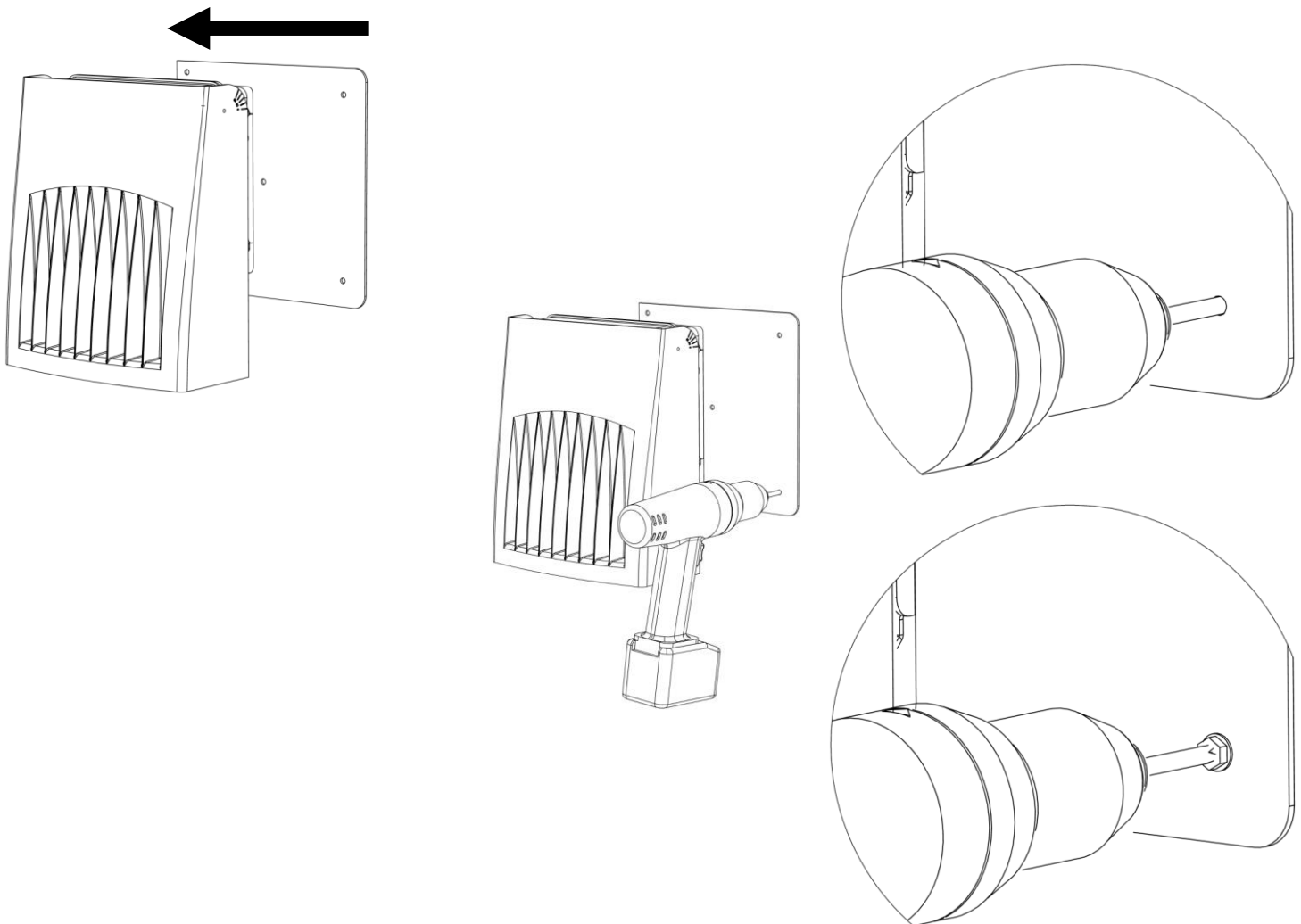
Drill

Drill bit and Driver bit to fit mounting screws (supplied by others)

**note: an extended driver bit is recommended (at least 6" long)*

INSTALLATION INSTRUCTIONS:

- Mount the SWP fixture per its included instructions. Take care to properly apply the silicone sealant all around the junction box.
- Align one Beauty Plate Half (Item 1) around the fixture as shown below.
- Drill a pilot hole through one of the Beauty plate holes. Install a screw in the hole to hold the Beauty plate in place.





SWP BEAUTY PLATE KIT INSTALLATION INSTRUCTIONS

CAUTION:

BE SURE TO READ COMPLETELY THROUGH THE INSTRUCTIONS SUPPLIED WITH THE SWP FIXTURE AS WELL AS THIS DOCUMENT PRIOR TO INSTALLATION.

INSTALLATION INSTRUCTIONS (continued):

- Align the second Beauty Plate as shown. Drill a pilot hole and install a screw to hold the second Beauty Plate in place.
- Complete the installation by drilling and installing the remaining eight screws. You will need to adjust the LED Head up and down to expose all screw locations. Return the LED Head to the desired position when complete.

