

Project Name:	Part Number:	Type:
---------------	--------------	-------

# VOLA TROFFER 2'X 2'

## RECESSED TROFFER



407-478-3759  
www.ilp-inc.com

### FEATURES

- Architectural design
- .040 Aluminum pre-painted housing
- Post paint available
- Frosted acrylic lens easily removes for cleaning
- 3000K, 3500K and 4000K CCT
- 0-10V Dimmable Driver (100% - 10%)
- Type IC (suitable for insulation contact)
- 120-277V Universal Voltage
- ETL Listed
- 5 Year Warranty
- DesignLights Consortium® Premium Qualified Luminaire



### SUITABLE APPLICATIONS

- Offices
- Hallways
- Multipurpose Rooms
- Conference Rooms

With Surface Mount

LED SYSTEMS INFO	18W	22W	26W	30W	35W	52W
Calculated L <sub>70</sub> (TM-21)	>100K	>100K	>100K	>100K	>100K	>100K
Delivered Lumens	2,321 lm	2,810 lm	3,385 lm	3,854 lm	4,414 lm	6,492 lm
Total Input Watts	19 W	23 W	27 W	31 W	36 W	52 W
Luminaire Efficacy Rating (LER)	124 lm/W	125 lm/W	127 lm/W	126 lm/W	123 lm/W	123 lm/W
Correlated Color Temperature (CCT)	4000K	4000K	4000K	4000K	4000K	4000K
Color Rendering Index (CRI)	>80	>80	>80	>80	>80	>80
Ambient Temperature Range	110°F	110°F	110°F	110°F	110°F	110°F
Universal Driver	120-277 V	120-277 V	120-277 V	120-277 V	120-277 V	120-277 V

LED System data above based on VOLA22-18WLED-UNIV-40, VOLA22-22WLED-UNIV-40, VOLA22-26WLED-UNIV-40, VOLA22-30WLED-UNIV-40, VOLA22-35WLED-UNIV-40 & VOLA22-52WLED-UNIV-40.  
LED Lumen maintenance estimates based on TM-21 projections for the light source at 25°C ambient.

### ORDERING GUIDE:

Series	Watts	Driver	Color	Options
<b>VOLA22</b> VOLA Troffer 2'x2'	<b>18WLED</b>	<b>UNIV</b> 120-277V Driver	<b>40</b>	<b>POSTP</b> Post Paint Aluminum
	<b>22WLED</b>		<b>35</b>	<b>WHIP/6ft/5WIRE/600V</b> 6ft MC Cable w/ 3 leads attached to power & 2 leads attached to dimming (120V-277V)
	<b>26WLED</b>		<b>30</b>	<b>WHIP/6ft/6WIRE/600V</b> 6ft MC Cable w/ 3 leads for fixture power, 1 lead for battery backup power & 2 leads attached to dimming (120V-277V)
	<b>30WLED</b>			<b>ES</b> EasySense Control
	<b>35WLED</b>			<b>ES/PCD</b> Pre-Installed App on Controlled Device for Commissioning
	<b>52WLED</b>			<b>ES/WWS</b> EasySense Wall Switch
				<b>SR</b> Sensor Ready Driver
				<b>DR</b> DALI-Ready Driver
				<b>VDO†</b> Lutron Vive DFCSJ-OEM-OCC (Daylight & Occupancy)
				<b>VRF†</b> Lutron Vive DFCSJ-OEM-RF (RF only)
				<b>BLD**</b> Bi-Level Dim Driver (2 Hot Leads)
				<b>FLGK</b> Flange Kit
		<b>SM</b> Surface Mount		
		<b>HC</b> Hurricane Clips		
		<b>FI/ILBCP05*</b> Factory Installed 5W LED Battery Backup		
		<b>FI/ILBCP07*</b> Factory Installed 7W LED Battery Backup		
		<b>FI/ILBCP10*</b> Factory Installed 10W LED Battery Backup		
		<b>FI/ILBCP12*</b> Factory Installed 12W LED Battery Backup		
		<b>SD347**</b> 347V Step Down Transformer		
		<b>SD480**</b> 480V Step Down Transformer		

DLC Standard:  
VOLA22-18WLED-UNIV-30, VOLA22-18WLED-UNIV-35, VOLA22-18WLED-UNIV-40,  
VOLA22-22WLED-UNIV-30, VOLA22-22WLED-UNIV-35, VOLA22-22WLED-UNIV-40,  
VOLA22-26WLED-UNIV-30, VOLA22-26WLED-UNIV-35, VOLA22-26WLED-UNIV-40,  
VOLA22-30WLED-UNIV-30, VOLA22-30WLED-UNIV-35, VOLA22-30WLED-UNIV-40,  
VOLA22-35WLED-UNIV-30, VOLA22-35WLED-UNIV-35, VOLA22-35WLED-UNIV-40,  
VOLA22-52WLED-UNIV-30, VOLA22-52WLED-UNIV-35, VOLA22-52WLED-UNIV-40

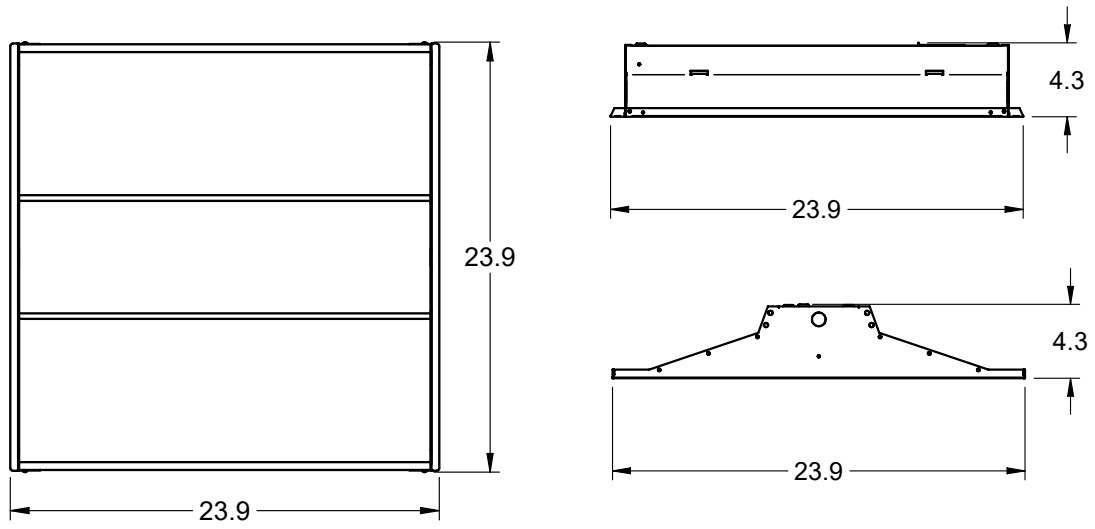
† Must be used with SR Sensor Ready Driver  
\* BB performance data available on Field Installed LED BB Sheet  
\*\* Does not qualify for DLC. Call factory for details.

# VOLA TROFFER 2'X2'

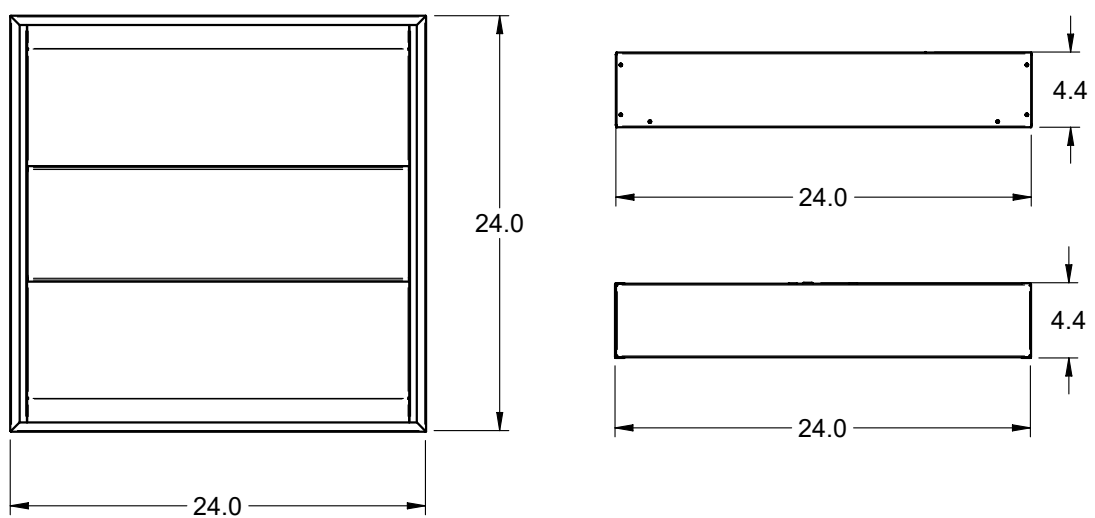
## RECESSED TROFFER

### LINE DRAWINGS

#### Dimensions Without Surface Mount



#### Dimensions With Surface Mount

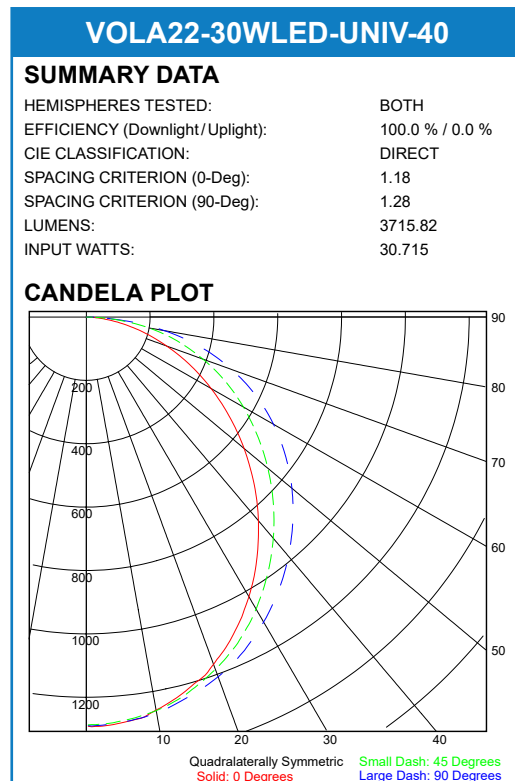
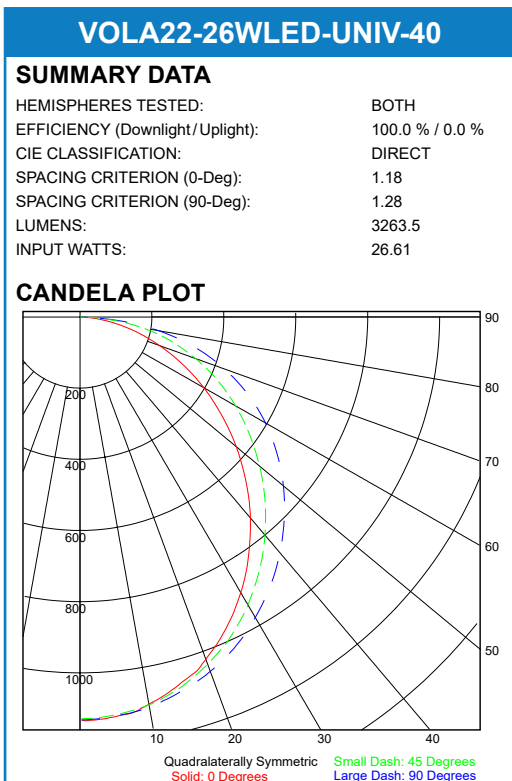
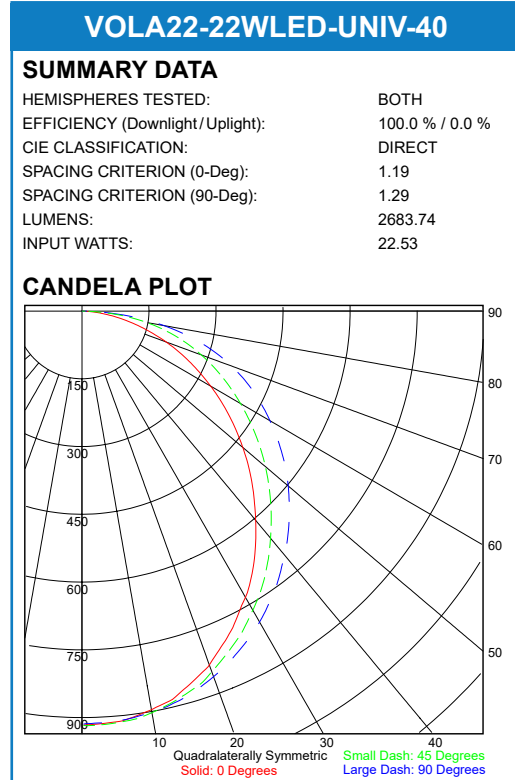
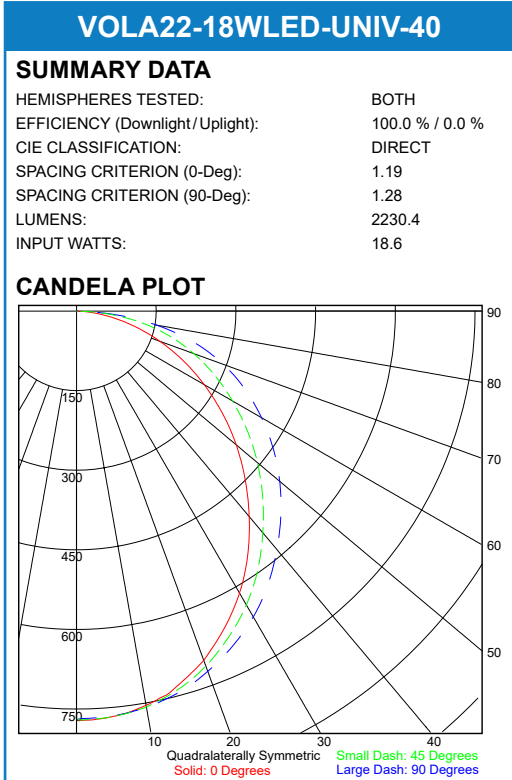


# VOLA TROFFER 2' X 2'

## RECESSED TROFFER

### PHOTOMETRIC REPORTS

Photometric values based upon tests performed in compliance w/ LM-79. Download IES files at [www.ilp-inc.com](http://www.ilp-inc.com)



# VOLA TROFFER 2'X2'

## RECESSED TROFFER

### PHOTOMETRIC REPORTS

Photometric values based upon tests performed in compliance w/ LM-79. Download IES files at [www.ilp-inc.com](http://www.ilp-inc.com)

