



VALUE SLIM WALL PACK

LED SLIM PROFILE WALL PACK



407-478-3759
www.ilp-inc.com

FEATURES

- Low profile die-cast aluminum housing
- Bronze polyester powder coat finish (std.)
- Custom and factory select colors available¹
- Isolated optical compartment with tempered glass lens and silicone gaskets
- 90° adjustable Type IV distribution or Optional IDA fixed model²
- Quick mount bracket standard for easy surface mount installation
- Three ½" coin plugs on sides for conduit or electronic photocell
- 120–277V Universal Voltage or 347V–480V High Voltage³
- 0–10V Dimmable Driver (std.)
- Deep box 10W CEC Title 20 compliant battery backup & cold weather battery¹
- Optional Field Adjustable Output device (FAO) allows individual luminaire lumen output control
- 3000K, 4000K & 5000K CCT Selectable via Integral selector
- >70 Color Rendering Index (CRI)
- Calculated L70 >100,000 hrs @ 25°C per TM-21-11
- IP65 Rated Luminaire
- 5 Year Warranty (std); 10 Year Warranty Optional
- ETL Listed for Wet Locations
- DesignLights Consortium® Premium Qualified Luminaire



Small



Large

¹Contact factory for pricing and availability

²Fixed 3000K CCT model only

³347–480V available in 5L, 8L, 10L Lumen Packages Only



*With FAO10V accessory



SUITABLE APPLICATIONS

- Pedestrian Walkways
- Building Entrances
- Multi-use Facilities
- Industrial Facilities
- Parking Lots
- Storage Facilities
- Institutions
- Schools
- Loading Docks

ORDERING GUIDE:

SERIES	LUMENS	DRIVER	CCT	FINISH	WARRANTY
SWP Value Slim Wall Pack	2L	U 120-277V	CCTS Selectable CCT (5000K, 4000K, 3000K) 30 ³	BRZ Bronze	BLANK 5 Year
	3L	HV ¹ 347-480V		BLK ⁴ Black	10YR ^{7,8} 10 Year
	5L			WHT ⁴ White	
	8L			SLV ⁴ Silver	
	10L				

OPTIONS

Factory Installed

SP1 ^{2,6}	10kA Max Univolt Surge Protection
SP2 ^{2,6}	22kA Max 120–277V Surge Protector
IDA ³	Dark Sky IDA Fixture Seal of Approval
LEDBB ^{1,2}	10W UNIV Battery Backup (32°–100°F)
LEDBBCT ^{1,2}	20W UNIV CT Battery Backup (-4°–122°F)

Ship with Accessories

SWP-FAO10V	Field Adjustable Output via 0–10V Wires
SWP-ARM3-xxx	Pole Mount Arm Kit, 3" long (xxx=BRZ, BLK, WHT, SLV)
SWP-BPS-xxx	18x9 Beauty Plate Kit, Small (xxx=BRZ, BLK, WHT, SLV)
SWP-BPL-xxx	18x9 Beauty Plate Kit, Large (xxx=BRZ, BLK, WHT, SLV)

Controls

PCU ²	Electronic UNIV Photocell (120-277V)
------------------	--------------------------------------

¹5L, 8L, 10L Lumen Packages Only

²Fixed to 3000K CCT and no angle adjustability for

³Not available with HV option

IDA Compliance. Must choose 30 CCT and IDA option to qualify

⁴Contact Factory for pricing and availability

⁵Does not qualify for DLC

⁶SP1/SP2 specified in combination with battery backups, separate surge protectors are required per electrical line

⁷Contact Factory for more details

⁸Requires additional surge protection (SP1, SP2, SP480V2); For additional details see general terms and conditions



QUICK SHIP ITEMS:

SERIES	LUMENS	DRIVER	COLOR	FINISH
SWP Value Slim Wall Pack	2L	U 120-277V	CCTS Selectable CCT (5000K, 4000K, 3000K)	BRZ Bronze
	3L			
	5L			
	8L			
	10L			



VALUE SLIM WALL PACK

LED SLIM PROFILE WALL PACK

LED SYSTEMS INFO ¹	3000K			4000K			5000K			Watts ²	Replaces
	Part Numbers	Lumens	Efficacy	Bug Rating	Lumens	Efficacy	Bug Rating	Lumens	Efficacy		
SWP-2L-U-CCTS	2,465 lm	122 lm/W	B1-U0-G0	2,649 lm	139 lm/W	B1-U0-G0	2,493 lm	125 lm/W	B1-U0-G0	20 W	100W MH
SWP-3L-U-CCTS	3,160 lm	134 lm/W	B2-U0-G0	3,310 lm	145 lm/W	B2-U0-G0	3,226 lm	136 lm/W	B2-U0-G0	24 W	150W MH
SWP-5L-U-CCTS	5,396 lm	135 lm/W	B2-U0-G0	5,669 lm	147 lm/W	B2-U0-G0	5,515 lm	137 lm/W	B2-U0-G0	40 W	175W MH
SWP-8L-U-CCTS	8,254 lm	138 lm/W	B3-U0-G1	8,678 lm	150 lm/W	B3-U0-G1	8,455 lm	141 lm/W	B3-U0-G1	60 W	250W MH
SWP-10L-U-CCTS	10,141 lm	136 lm/W	B3-U0-G1	10,581 lm	147 lm/W	B3-U0-G1	10,335 lm	138 lm/W	B3-U0-G1	75 W	320W MH

¹LED Chips are frequently updated therefore values are nominal
²Electrical data at 25C (77F). Actual wattage may differ by +/-10%.

SPECIFICATIONS

CONSTRUCTION

Value Slim Wall Pack luminaire features a sleek low-profile die-cast aluminum housing with matching housing styles for both a small and medium size housings. Value Slim is protected with a durable Bronze polyester powder coat finish to withstand extreme weather changes without cracking or peeling (Consult factory for availability of alternate finishes). The Adjustable head pivots up to 90° to allow for more forward throw illumination (IDA option eliminates the adjustability). Universal quick mount bracket eliminates the need to drill through the luminaire housing ensuring reliable IP65 ingress protection and fast hands-free mounting via hanging mechanism. One-piece silicone gasket seals door and back box.

ELECTRICAL

High-performance driver features over-voltage, under-voltage, short circuit and over temperature protection. 0-10V dimming (10% - 100%) standard. Standard Universal Voltage (120-277 Vac) Input 50/60 Hz or optional High Voltage (347-480 Vac). L70 >100,000 hrs. in accordance of IESNA TM-21-11 Projected values at 25°C Ambient temperature. Total harmonic distortion: <20%. Power factor: >0.90. Input power stays constant over life. Minimum 2.5kV surge rating. Optional Field Adjustable Output (FAO) accessory allows for individual lumen output control with 7 adjustable light levels per lumen package. 10W CEC Title 20 compliant battery backup & cold weather battery option available. 120-277V 10W CEC Title 20 compliant battery backup & cold weather battery options provide 90 minutes of constant power to the LED system, ensuring code compliance.

INSTALLATION

The Value Slim Wall Pack features a universal quick mount bracket, allowing for effortless installation to standard 3½" to 4" round/octagonal, 4" square, single gang, masonry junction boxes or vertical surface mounting (secured by four lag bolts (supplied by others)). ½" NPT conduit entry points allow for surface-conduit or thru-branch wiring. Back box is an authorized electrical wiring compartment. Fixture leads exit the back of the casting through a poke-in water-tight grommet. Integral CCT selector allows for toolless CCT tuning at installation.

OPTICS

The isolated silicone sealed optical chamber utilizes a proprietary high-reflective white molded baffle. Optical assembly features an impact-resistant tempered glass lens and meets IESNA requirements for full cutoff compliance. Available in five lumen packages and CCT selectable via an integral CCT selector switch (3000K, 4000K, & 5000K). The Adjustable head pivots up to 90° to allow for more forward throw illumination. IDA option is fixed 3000K and does not allow for head pivoting (full-cutoff).

THERMAL

The Value Slim Wall Pack features an array of High-efficacy mid-power LED's on a metal core circuit board. The LED board is mounted directly to a cast aluminum housing with heat dissipating fins to provide excellent thermal performance extending the life of electronic components. Operating Ambient Temperature: -40°C to +40°C (-40°F to 104°F) Operating temperature for standard battery backup: 0°C to +50°C (+32°F to +122°F), Cold Weather battery backup: -20°C to +50°C (-4°F to +122°F).

CONTROLS

Three ½" NPT apertures allow for field or factory installed 120-277V universal electronic photocell.

CERTIFICATIONS

UL Listed for wet locations. Tested in accordance with IESNA LM-79 and LM-80 standards.

WARRANTY

5 Year Warranty Standard; 10 Year Warranty Optional ([Terms and Conditions apply](#)).



VALUE SLIM WALL PACK

LED SLIM PROFILE WALL PACK

ADDITIONAL FEATURES & OPTIONS



Quick Mount Bracket



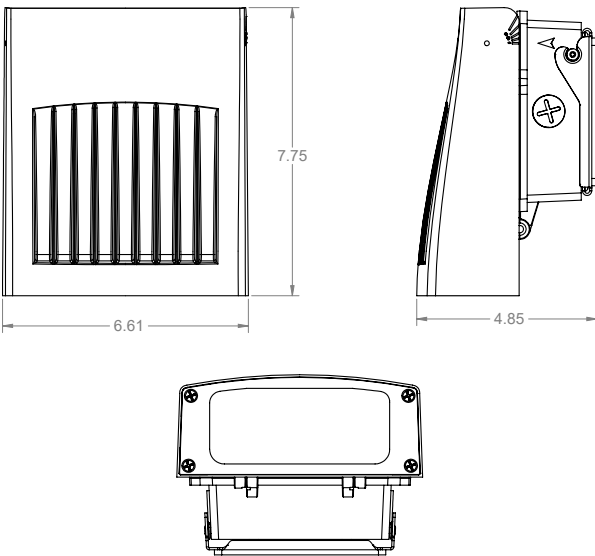
90° Adjustable Type IV Distribution



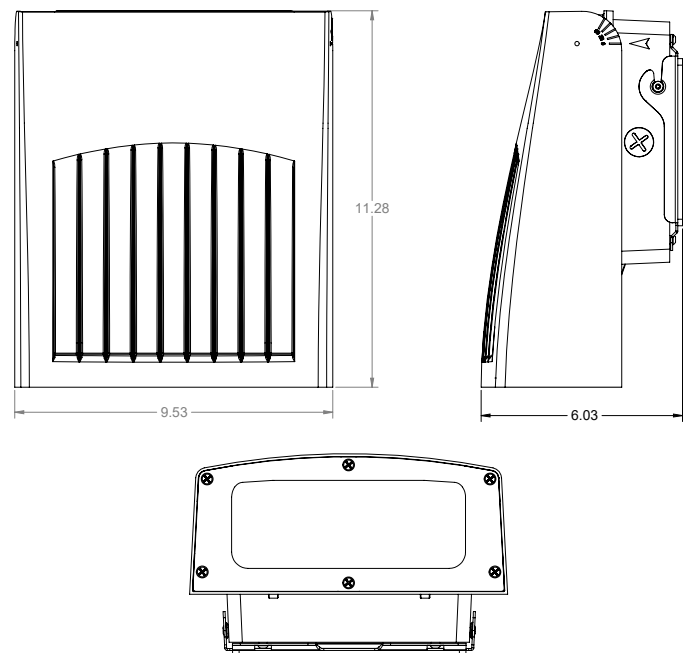
Optional Beauty Plate

LINE DRAWINGS

2L & 3L Small Housing



5L, 8L & 10L Large Housing



Large with Deep Box Cold Temp Battery Backup

