



FLTR

FLAT LENS TROFFER RETROFIT KIT

FEATURES

- Architectural Designed Flat Lensed Troffer
- One-piece Unit with Two Universal Mounting Brackets
- Average Install Time Less than 3 Minutes
- Lightweight Aluminum Matte White Finish Body
- Impact & Scratch Resistant PMMA Frosted Acrylic Lens
- Tamper Resistant Latch Option
- Advanced Wireless Controls Options
- 1x4, 2x2, 2x4 sizes
- 2,300 – 4,800 Delivered Lumens
- 3000K – 4000K CCT
- >80 Color Rendering Index (CRI)
- Calculated L70 >100,000 hrs
- 0–10V Dimmable Driver
- 120–277V Universal Voltage
- 5 Year Warranty
- ETL Listed for Damp Locations
- DesignLights Consortium® Qualified Luminaire



SUITABLE APPLICATIONS

- Education
- Healthcare
- Multipurpose Rooms
- Hallways
- Office
- Conference Rooms

ORDERING GUIDE:

SERIES	WATTS	DRIVER	CCT	DOORFRAME LATCH
FLTR14 1x4 Flat Lens Troffer Retrofit Kit	19WLED	UNIV 120-277V	40	BLANK Standard Latch
	30WLED		35	TRL Tamper Resistant Latch
	45WLED		30	
FLTR22 2x2 Flat Lens Troffer Retrofit Kit	19WLED			
	30WLED			
	45WLED			
FLTR24 2x4 Flat Lens Troffer Retrofit Kit	26WLED			
	35WLED			
	45WLED			

OPTIONS	CONTROLS OPTIONS
Factory Installed	Basic
POSTP Post Painted Aluminum	SR Sensor Ready Module
FI/ILBCP05 5W LED Factory Installed Battery Backup	DR DALI Ready Module
FI/ILBCP05/HE 5W LED Factory Installed Battery Backup-CEC Title 20 Compliant	BLD Bi-Level Dimming Module (2 hot leads)
FI/ILBCP07 7W LED Factory Installed Battery Backup	ES/WWS/DR EasySense Dual Rocker Wireless Wall Switch
FI/ILBCP07/HE 7W LED Factory Installed Battery Backup-CEC Title 20 Compliant	ES/PCD ³ Pre-installed app on controlled device for commissioning
FI/ILBCP10 10W LED Factory Installed Battery Backup	
FI/ILBCP10/HE 10W LED Factory Installed Battery Backup-CEC Title 20 Compliant	Advanced
FI/ILBCP12 12W LED Factory Installed Battery Backup	ES ² EasySense Sensor
SD347 ¹ 347V Step Down Transformer	5E/CU/IL ⁴ Enlighted 5E Individual Lighting (IL) Sensor w/ Control Unit
SD480 ¹ 480V Step Down Transformer	5E/CU/CL ⁴ Enlighted 5E Connected Lighting (CL) Sensor w/ Control Unit
	5E/CU/IOT ⁴ Enlighted 5E Internet of Things (IOT) Sensor w/ Control Unit
	5E/5W/IL ⁴ Enlighted 5E Individual Lighting (IL) Sensor w/ Aux Driver/5 Wire Connection
	5E/5W/CL ⁴ Enlighted 5E Connected Lighting (CL) Sensor w/ Aux Driver/5 Wire Connection
	5E/5W/IOT ⁴ Enlighted 5E Internet of Things (IOT) Sensor w/ Aux Driver/5 Wire Connection
	VDO ⁴ Lutron Vive DFCSJ-OEM-OCC (Daylight & Occupancy)
	VRF ⁴ Lutron Vive DFCSJ-OEM-RF (RF Only)

¹Does not qualify for DLC

²Must be used with ES/PCD for commissioning

³One needed per project

⁴Must be used with SR Driver

FLTR

FLAT LENS TROFFER RETROFIT KIT

LED SYSTEMS INFO ¹	3000K		3500K		4000K		Watts ²	DLC Listing	Replaces
	Part Numbers	Lumens	Efficacy	Lumens	Efficacy	Lumens			
FLTR14-19WLED	2,254 lm	119 lm/w	2,287 lm	122 lm/w	2,319 lm	124 lm/w	19W	Standard	2T8
FLTR14-30WLED	3,461 lm	115 lm/w	3,511 lm	117 lm/w	3,561 lm	119 lm/w	30W	Standard	2T8
FLTR14-45WLED	4,867 lm	109 lm/w	4,937 lm	111 lm/w	5,018lm	112 lm/w	45W	Standard	2T8
FLTR22-19WLED	2,180 lm	115 lm/w	2,199 lm	117 lm/w	2,217 lm	118 lm/w	19W	Standard	2T8
FLTR22-30WLED	3,328 lm	111 lm/w	3,357 lm	112 lm/w	3,385 lm	113 lm/w	30W	Standard	3T8
FLTR22-45WLED	4,663 lm	105 lm/w	4,695 lm	106 lm/w	4,735 lm	107 lm/w	45W	N/A	3T8
FLTR24-26WLED	3,038 lm	118 lm/w	3,141 lm	122 lm/w	3,244 lm	126 lm/w	26W	Standard	2T8
FLTR24-35WLED	3,945 lm	113 lm/w	4,081 lm	117 lm/w	4,217 lm	121 lm/w	35W	Standard	3T8
FLTR24-45WLED	4,794 lm	108 lm/w	4,956 lm	111 lm/w	4,972 lm	110 lm/w	45W	Standard	3T8

¹Values are nominal, see IES file for more detail

²Electrical data at 25C (77F). Actual wattage may differ by +/-10%.

SPECIFICATIONS

CONSTRUCTION

Lightweight aluminum white body for rigidity, durability & ease of installation. One-piece unit with two universal mounting brackets for quick and easy installation into grid and hard-lid ceilings. Optional paint after fabrication. Designed to achieve maximum performance and improved aesthetics.

ELECTRICAL

Class 2 LED light engine for high efficacy and long life. Calculated L70 > 100,000 hrs. LED Lumen Maintenance Estimates based on TM-21 projections for the light source at 25°C ambient. Power Factor > 0.90. Standard 120-277 Vac 0-10V dimmable (1%-100%) with optional 347-480 Vac step down transformer. Optional emergency battery backups available to meet critical life safety lighting requirements.

MOUNTING

One-piece door frame light engine with two universal mounting brackets for easy installation. Tamper resistant latch option provides additional security in applications where it is needed most. See page 4 for step-by-step troffer kit installation instructions.

WARRANTY

5 Year Warranty (Terms and Conditions apply)

OPTICS

Impact and Scratch resistant PMMA frosted acrylic lens. Optimized optical design provides soothing illumination and glare reduction for maximum visual comfort.

TROFFER COMPATIBILITY

Designed to fit into most existing parabolic and lensed troffers with a housing depth of 3 1/8" or greater. ILP recommends a test installation prior to ordering project quantities. Contact factory for additional troffer compatibility confirmation & custom size configuration options.

CONTROLS

Factory installed advanced sensor options available. Sensor mounts within the body of the fixture, see controls page for more detail (pg.3). Inquire with manufacturer for more controls options, including customer supplied items.

CERTIFICATIONS

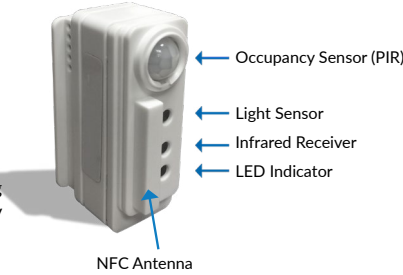
ETL Listed to US & Canadian safety standards. Suitable for damp locations. Type IC rated. American Recovery & Reinvestment Act Funding Compliant. Title 24 Compliant with sensor options; see local ordinance for qualification information. DLC (DesignLights Consortium) Premium Qualified, with some Standard Qualified configurations. Please refer to the DLC Qualified Products List at www.designlights.org/QPL to confirm specific product qualifications.

ADVANCED CONTROLS OPTIONS

EASYSENSE

ES

EasySense sensor combines occupancy sensing, daylight harvesting & institutional tuning in one compact solution. This is an ideal control for any commercial application. Each sensor allows you to turn on/off occupancy and/or daylight harvesting functions as well as set the full light output, background light level, occupancy prolong time, occupancy grace fading time and occupancy time out/hold time. Requires use of EasySense Pre-Programmed Control Device (ES/PCD), or approved phone from compatibility list; one needed per project.



ES/PCD

Pre-Programmed EasySense Control Device. One needed per project. Sensor can also be programmed with the approved compatible cell phone (listed to the right).

Compatible Cell Phones:

- LG G3
- LG G Vista
- LG G4
- Samsung S5
- Samsung S5 WHT
- Samsung Note 4
- Samsung Note Edge
- Samsung Galaxy S7 Edge
- Samsung Galaxy J3
- Samsung Galaxy J7
- Samsung S8
- Samsung Galaxy S9
- Nexus 5X
- Nexus 6P

ES/WWS/DR

Optional Wireless / Batteryless Dual Rocker Wall Switch. Up to 100ft range. Functions include: On/Off, dimming and setting of (2) scenes for full room control.



Specifications:

- Wireless
- Batteryless
- Dual Rocker
- ZigBee®
- 30 - 100ft Range

Functions:

1. On (Hold to brighten up)
2. Off (Hold to dim down)
3. Scene 1
4. Scene 2

ENLIGHTED

5E/CU/IL

Bundled System with Enlighted 5E sensor (SU-5E-IL), Control Unit (CU-4E-FM) & Cable (CBL-5E-CU4-30N). Fixtures are controlled based on occupancy & ambient light. Includes ability to group fixtures together & connect to a switch to zone fixtures for group operation. Provided factory installed components only. Enlighted system provided by others. Contact factory for more information.



5E/CU/CL

Bundled System with Enlighted 5E sensor (SU-5E-CL), Control Unit (CU-4E-FM) and Cable (CBL-5E-CU4-30N). Fixtures are controlled based on occupancy and ambient light. Includes individual lighting control plus connection to Enlighted Energy Manager. The Energy Manager provides data analysis for all data collected by the Enlighted Smart Sensors for energy, occupancy and environment. Provided factory installed components only. Enlighted system provided by others. Contact factory for more information. (see image above)

5E/CU/IOT

Bundled System with Enlighted 5E sensor (SU-5E-IOT), Control Unit (CU-4E-FM) and Cable (CBL-5E-CU4-30N). Fixtures are controlled based on occupancy and ambient light. Includes individual lighting control plus connection to Enlighted Energy Manager. Energy Manager provides data analysis for all data collected by Enlighted Smart Sensors for energy, occupancy & environment. Additionally, the IOT functionality takes the data access and function beyond just lighting to a wide range of applications beyond the standard connected lighting controls. Provided factory installed components only. Enlighted system provided by others. Contact factory for more information. (see image above)

5E/5W/IL

Bundled System with Enlighted 5E sensor (SU-5E-IL) & Cable (CBL-5E-CU4-30N) paired with a driver with auxiliary power and 5 wire connection. Fixtures are controlled based on occupancy and ambient light. Includes ability to group fixtures together and connect to a switch to zone fixtures for group operation. Provided factory installed components only. Enlighted system provided by others. Contact factory for more information. (see image above)

5E/5W/CL

Bundled System with Enlighted 5E sensor (SU-5E-CL) & Cable (CBL-5E-CU4-30N) paired with a driver with auxiliary power and 5 wire connection. Fixtures are controlled based on occupancy and ambient light. Includes individual lighting control plus connection to Enlighted Energy Manager. The Energy Manager provides data analysis for all data collected by the Enlighted Smart Sensors for energy, occupancy and environment. Provided factory installed components only. Enlighted system provided by others. Contact factory for more information. (see image above)

5E/5W/IOT

Bundled System with Enlighted 5E sensor (SU-5E-IOT) & Cable (CBL-5E-CU4-30N) paired with a driver with auxiliary power and 5 wire connection. Fixtures are controlled based on occupancy and ambient light. Includes individual lighting control plus connection to Enlighted Energy Manager. The Energy Manager provides data analysis for all data collected by Enlighted Smart Sensors for energy, occupancy & environment. Additionally, the IOT functionality takes the data access and function beyond just lighting to a wide range of applications beyond the standard connected lighting controls. Provided factory installed components only. Enlighted system provided by others. Contact factory for more information. (see image above)

LUTRON

VDO

Vive DFCSJ-OEM-OCC integral fixture control sensor with daylight & occupancy. Vive provides intuitive programming allowing for maximum flexibility with wireless communication and sensing as desired. Provided factory installed components only. Lutron system provided by others. Contact factory for more information.



VRF

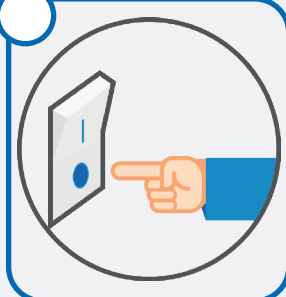
Vive DFCSJ-OEM-RF integral fixture control with Radio Frequency (RF) communication. Vive provides intuitive programming allowing for maximum flexibility with wireless communication as desired. Providing factory installed components only. Lutron system provided by others. Contact factory for more information.



FLTR

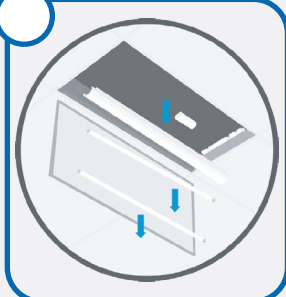
FLAT LENS TROFFER RETROFIT KIT

INSTALLATION INSTRUCTIONS



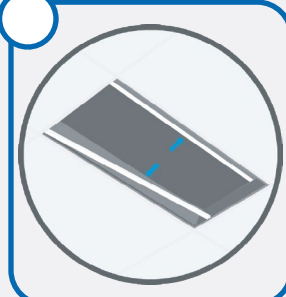
STEP 1

Shut off or disconnect power to the fixture.



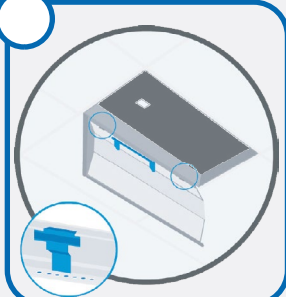
STEP 2

Remove existing fluorescent lamps and components, then disconnect existing connections to the fluorescent ballast.



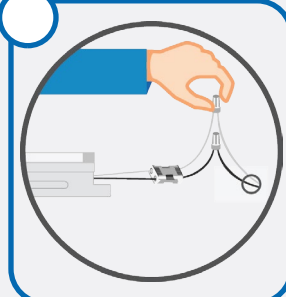
STEP 3

Gently lift the original housing and insert the brackets between the housing and the T-grid. Allow the housing to rest on the brackets, securing them in place. Optional tether included on the mounting brackets to secure the kit to the housing.



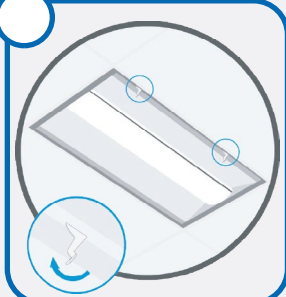
STEP 4

Hang the FLTR body by hooking the T-hinges into the respective slots in the bracket.



STEP 5

Connect the FLTR to AC power and ground.



STEP 6

Rotate the FLTR body up into the fixture and close the latches. Fasten provided tamper proof screw into latch hole if TRL (Tamper Resistant Latch) option is ordered. Turn on or reconnect power to the fixture to complete the installation.

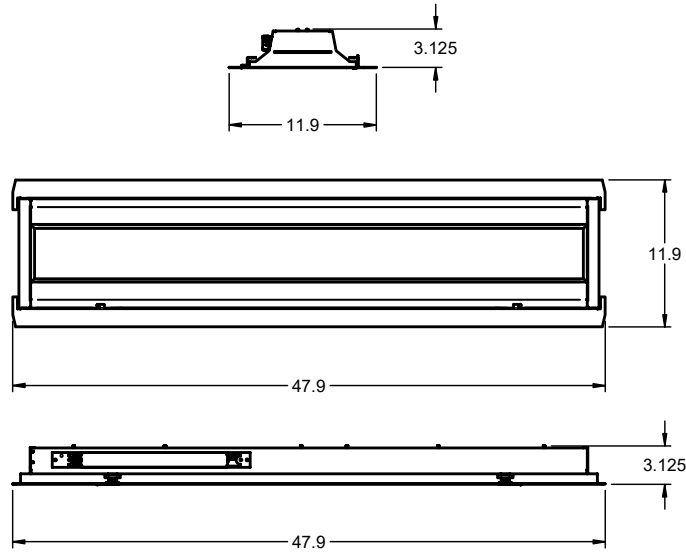
ILP recommends a test installation prior to ordering project quantities.

FLTR

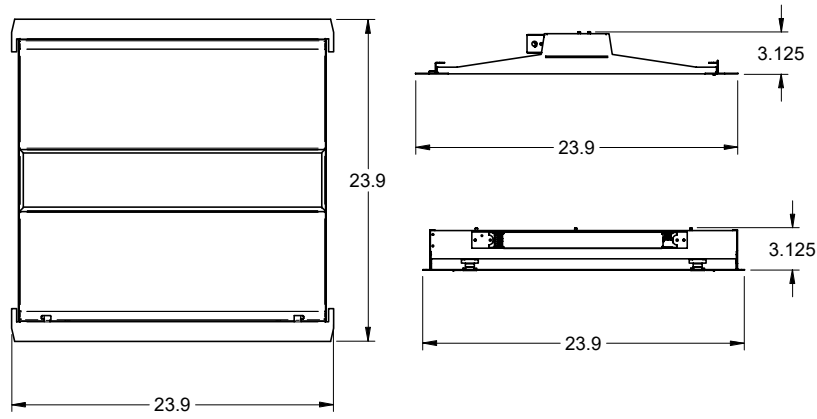
FLAT LENS TROFFER RETROFIT KIT

LINE DRAWINGS

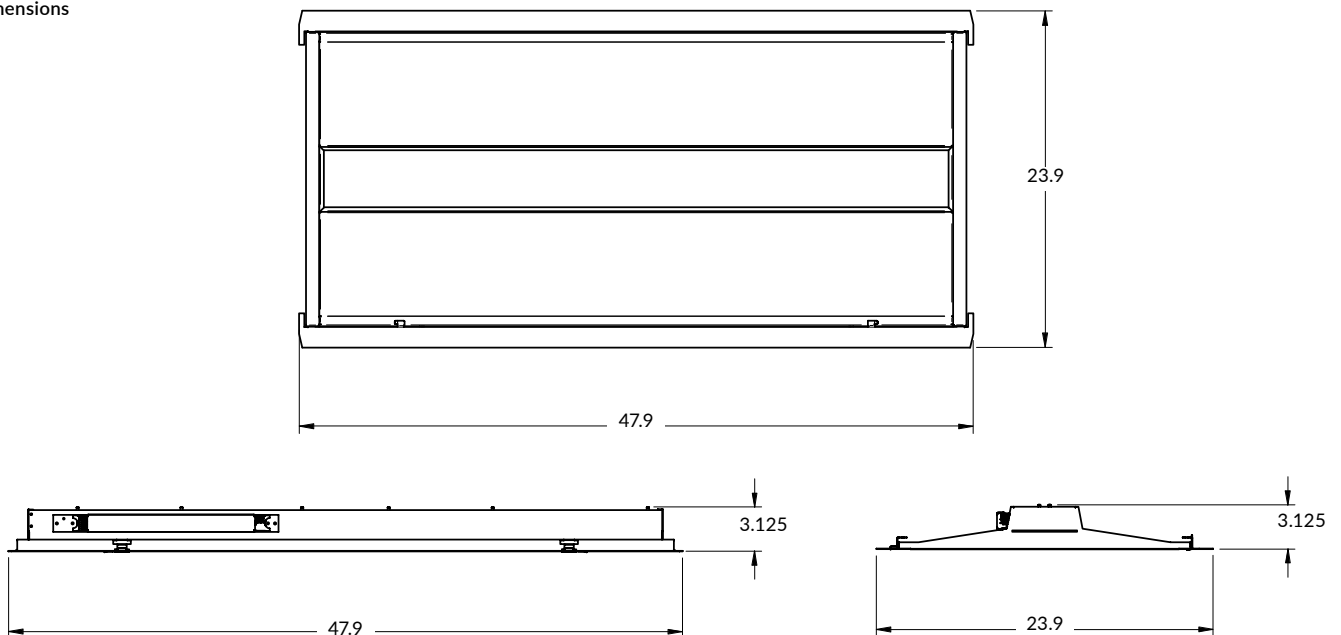
1x4 Dimensions



2x2 Dimensions



2x4 Dimensions



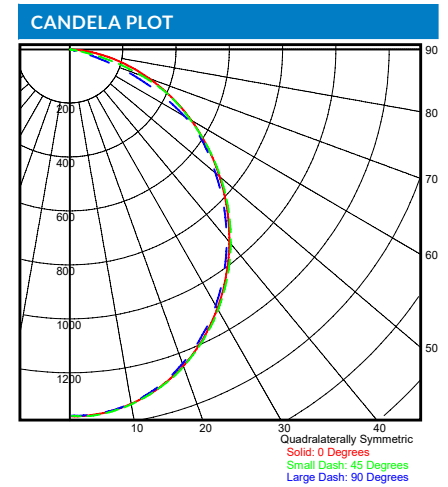
FLTR

FLAT LENS TROFFER RETROFIT KIT

PHOTOMETRIC REPORTS

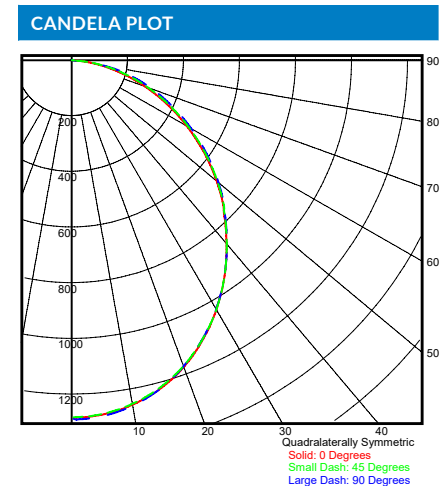
LUMINAIRE DATA	
Part Number	FLT14-30WLED-UNIV-40
Description	1' x 4' Flat Lens Troffer Retrofit Kit with flat frosted acrylic lens, 3,500 lumens,
Fixture Lumens (lm)	3,561 lm
Wattage (W)	30 W
Efficacy (lm/W)	119 lm/W
Mounting	Recessed
Spacing Criteria	0° = 1.22, 90° = 1.20

ZONAL LUMEN SUMMARY		
Zone	Lumens (lm)	% Fixture
0° - 40°	1,688	48%
0° - 60°	2,903	83%
0° - 90°	3,561	100%
90° - 180°	0	0%
0° - 180°	3,561	100%



LUMINAIRE DATA	
Part Number	FLT22-30WLED-UNIV-40
Description	2' x 2' Flat Lens Troffer Retrofit Kit with flat frosted acrylic lens, 3,400 lumens,
Fixture Lumens (lm)	3,385 lm
Wattage (W)	30 W
Efficacy (lm/W)	119 lm/W
Mounting	Recessed
Spacing Criteria	0° = 1.20, 90° = 1.20

ZONAL LUMEN SUMMARY		
Zone	Lumens (lm)	% Fixture
0° - 40°	1,574	47%
0° - 60°	2,698	81%
0° - 90°	3,385	100%
90° - 180°	0	0%
0° - 180°	3,385	100%



LUMINAIRE DATA	
Part Number	FLT24-35WLED-UNIV-40
Description	2' x 4' Flat Lens Troffer Retrofit Kit with flat frosted acrylic lens, 4,200 lumens,
Fixture Lumens (lm)	4,217 lm
Wattage (W)	35 W
Efficacy (lm/W)	120 lm/W
Mounting	Recessed
Spacing Criteria	0° = 1.21, 90° = 1.21

ZONAL LUMEN SUMMARY		
Zone	Lumens (lm)	% Fixture
0° - 40°	1,896	47%
0° - 60°	3,263	80%
0° - 90°	4,217	100%
90° - 180°	0	0%
0° - 180°	4,217	100%

