

Project Name:

Part Number:

Type:



VOL-VOLUMETRIC TROFFER

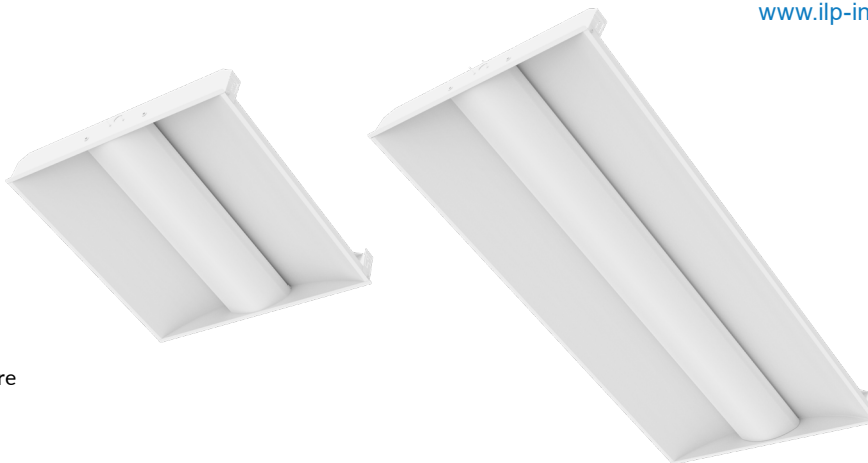
RECESSED TROFFER



407-478-3759
www.ilp-inc.com

FEATURES

- Architectural design
- Steel housing
- White powder coat finish
- Integrated hurricane clips
- Frosted acrylic lens
- 2x2 & 2x4 sizes available
- 0-10V Dimmable Driver (100% - 5%)
- TypeIC (suitable for insulation contact)
- 3500K & 4000K CCT
- 120-277V Universal Voltage
- 5 Year Warranty
- UL Listed
- DesignLights Consortium® Premium Qualified Luminaire



SUITABLE APPLICATIONS

• Education • Healthcare • Offices • Hallways • Multipurpose Rooms • Conference Rooms

ORDERING GUIDE:

SERIES	WATTS	DRIVER	CCT
VOL22 Volumetric Troffer 2'x2'	24W	U 120-277V	40
	30W		35
VOL24 Volumetric Troffer 2'x4'	30W		
	34W		
	56W ³		

OPTIONS

Factory Installed		Ship With Accessories	
FI/ILBCP05	5W LED Factory Installed Battery Backup	FLGK	Flange Kit
FI/ILBCP05/HE	5W LED Factory Installed Battery Backup - CEC Title 20 Compliant		
FI/ILBCP07	7W LED Factory Installed Battery Backup		
FI/ILBCP07/HE	7W LED Factory Installed Battery Backup - CEC Title 20 Compliant		
FI/ILBCP10	10W LED Factory Installed Battery Backup		
FI/ILBCP10/HE	10W LED Factory Installed Battery Backup - CEC Title 20 Compliant		
FI/ILBCP12	12W LED Factory Installed Battery Backup		
SD347 ¹	347V Step Down Transformer		
WHIP/6FT ²	6ft MC Cable Whip w/ 3 leads		
WHIP/6FT/4WIRE ²	6ft 4 wire MC Cable w/ 3 leads attached to power & 1 lead for battery backup		
WHIP/6FT/5WIRE/600V	6ft 5 wire MC Cable w/ 3 leads attached to power & 2 leads attached to dimming		
WHIP/6FT/6WIRE/600V	6ft 6 wire MC Cable w/ 3 leads attached to power, 2 leads attached to dimming, & 1 lead battery backup		

¹ Does not qualify for DLC

³ Available in 4000K only

² Non-dimming function



QUICK SHIP ITEMS:

SERIES	WATTS	DRIVER	CCT
VOL22 Volumetric Troffer 2'x2'	24W	U 120-277V	40
	30W		35
VOL24 Volumetric Troffer 2'x4'	30W		
	34W		
	56W ³		

VOL - VOLUMETRIC TROFFER

RECESSED TROFFER

LED SYSTEMS INFO

LED SYSTEMS INFORMATION ¹	3500K		4000K		Watts ²	DLC Listing	Replaces
	Part Numbers	Lumens	Efficacy	Lumens			
VOL22-24W	2,828 lm	127 lm/W	2,898 lm	126 lm/W	23 W	Premium	2T8
VOL22-30W	3,564 lm	125 lm/W	3,780 lm	126 lm/W	30 W	Premium	3T8
VOL24-30W	3,646 lm	127 lm/W	3,780 lm	126 lm/W	30 W	Premium	2T8
VOL24-34W	4,294 lm	133 lm/W	4,590 lm	135 lm/W	34 W	Premium	3T8
VOL24-56W	N/A	N/A	7,000 lm	125 lm/W	56 W	Premium	4T8

¹LED Chips are frequently updated therefore values are nominal
²Electrical data at 25C (77F). Actual wattage may differ by +/-10%.

SPECIFICATIONS

CONSTRUCTION

Steel housing white finish body for rigidity, durability and ease of installation. Designed to achieve maximum performance and improved aesthetics.

ELECTRICAL

Class 2 LED light engine for high efficacy and long life. Calculated L70 > 100,000 hrs. Power Factor > 0.90. Standard 120-277 Vac 0-10V dimmable (5% - 100%).

INSTALLATION

VOL fits into standard 1⁵/₁₆" T-grid system. Optional Flange Kit (FLGK) for recessed drywall mounting. Access plate installed atop of fixture for easy of hardwire power connections. Optional factory installed power flex conduit whip (WHIP) available to reduce electrical installation time.

OPTICS

Standard high transmission extruded PMMA frosted acrylic volumetric lens. Field removeable lens for easy access to LED boards, drivers and maintenance.

CERTIFICATIONS

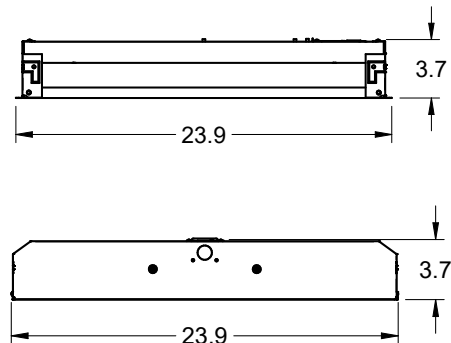
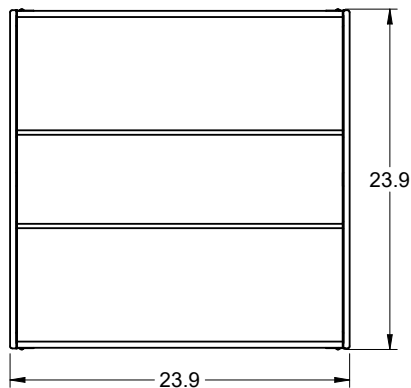
ETL Listed to US & Canadian safety standards. Suitable for insulation contact with Type IC Rated. Suitable for Damp Locations. DLC (DesignLights Consortium) Premium Qualified. Please refer to the DLC Qualified Products List at www.designlights.org/QPL to confirm specific product qualifications.

WARRANTY

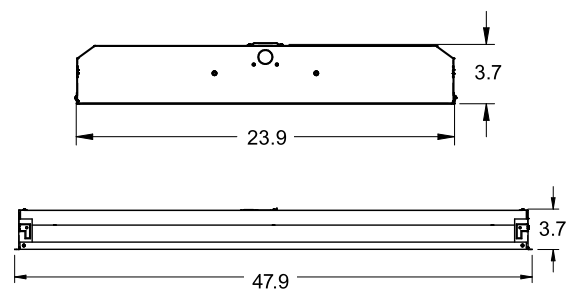
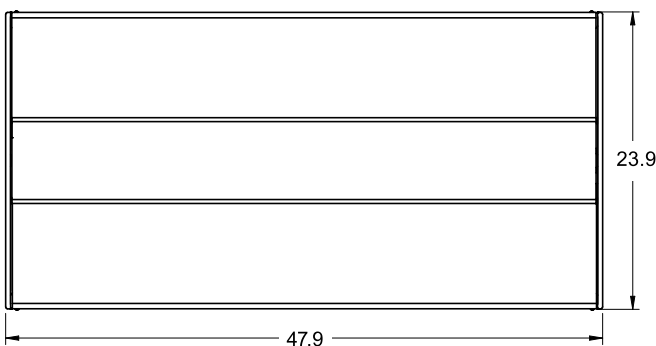
5 Year Warranty (Terms and Conditions apply)

LINE DRAWINGS

2x2:



2x4:



VOL - VOLUMETRIC TROFFER

RECESSED TROFFER

PHOTOMETRIC REPORTS

