

Project Name:

Part Number:

Type:



OPEN FACE WALL PACK

OUTDOOR



407-478-3759
www.ilp-inc.com

FEATURES

- Rugged die-cast aluminum housing
- Bronze polyester powder coat finish (std.)
- Custom and factory select colors available¹
- Non-Cutoff Type IV distribution
- Optional Hood for semi-cutoff Type IV distribution
- Impact resistant frosted low glare prismatic polycarbonate lens with UV stabilizers
- Silicone lens gasket and rubber housing gasket provide secure watertight seal
- Built in base bubble level for easy installation
- ½" coin plugs with o-rings for conduit or optional photocell
- 120-277V Universal Voltage
- 0-10V Dimmable Driver (std.)
- Battery backup & cold weather battery options available
- PIR Occupancy, Photocell, & Bi-Level Dimming sensors available
- 4000K & 5000K CCT
- >70 Color Rendering Index (CRI)
- Calculated L70 >75,000 Hours @ 25°C per TM-21-11
- IP65 Rated Luminaire
- 5 Year Warranty (std); 10 Year Warranty Optional
- ETL Listed for Wet Locations
- DesignLights Consortium® Qualified Luminaire

¹Contact factory for pricing and availability



SUITABLE APPLICATIONS

- Schools
- Warehouses
- Shopping Center
- General Area Lighting

ORDERING GUIDE:

SERIES	WATTS	DRIVER	CCT	WARRANTY
WPSO Small Open Face Wall Pack	30W	UNIV 120-277V	50	BLANK 5 Year
			40	10YR ^{7,8} 10 Year
WPMO Medium Open Face Wall Pack	45W 70W			
WPLO Large Open Face Wall Pack	90W 135W			

OPTIONS		CONTROLS OPTIONS ¹	
Factory Installed		Basic—Ship with Accessories	
SP1 ⁵	10kA Max Univolt Surge Protector	PCU	Photocell Universal Voltage (120-277V)
SP2 ⁵	22kA Max Univolt Surge Protector		
SP480V02	20kA Max 480V Surge Protector		
FUSE/SXXX	Single-line Voltage Fuse (120, 277, 347)		
FUSE/DXXX	Single-line Voltage Fuse (208, 240, 480)		
FI/ILBCP05 ⁴	5W LED Battery Backup (32°F to 104°F)		
FI/ILBCP05/HE ^{3,4}	5W LED Battery Backup-CEC Title 20 Compliant (32°F to 104°F)		
FI/ILBCP07 ^{3,4}	7W LED Battery Backup (32°F to 104°F)		
FI/ILBCP07/HE ^{3,4}	7W LED Battery Backup-CEC Title 20 Compliant (32°F to 104°F)		
FI/ILBCP10 ^{3,4}	10W LED Battery Backup (32°F to 104°F)		
FI/ILBCP10/HE ^{3,4}	10W LED Battery Backup-CEC Title 20 Compliant (32°F to 104°F)		
FI/ILBCP12 ^{3,4}	12W LED Battery Backup (32°F to 104°F)		
LEDBBCT ^{3,4}	14W UNIV CT Battery backup (-4°F-104°F)		
LEDBBCT7 ^{3,4}	7W UNIV CT Battery backup (-4°F-104°F)		
SMLxxxx	Specified Lumen Output (xxxx=lumen)		
SD480 ⁶	480V Step Down Transformer		
SD347 ⁶	347V Step Down Transformer		

Ship With Accessories	
HD/WPMO	Medium Hood/Glare Shield - Field Installed
HD/WPLO	Large Hood/Glare Shield - Field Installed

¹Only 1 selection allotted for controls options

²Requires bluetooth enabled device for programming (provided by others)

³WPLO series model only

WP0SPECO221

⁴Not available with SD347 or SD480 Options

⁵SP1/SP2 specified in combination with Battery Backups, separate surge protectors are required per electrical line

⁶WPMO & WPLO Series Models Only

⁷Contact Factory for more details

⁸Requires additional surge protection (SP1, SP2, SP480V2); For additional details see general terms and conditions

OPEN FACE WALL PACK

OUTDOOR



QUICK SHIP ITEMS:

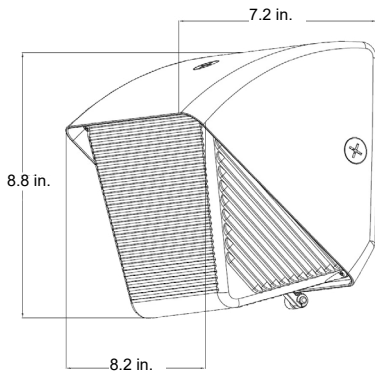
SERIES	WATTS	DRIVER	COLOR
WPSO Small Open Face Wall Pack	30W	U 120-277V	50
WPMO Medium Open Face Wall Pack	45W 70W		40
WPLO Large Open Face Wall Pack	90W 135W		

LED SYSTEMS INFORMATION ¹	4000K		5000K		Watts ²	DLC Listing	Replaces
	Part Numbers	Lumens	Efficacy	Lumens			
WPSO-30W	4,097 lm	130 lm/W	4,203 lm	134 lm/W	31 W	Standard	100W MH
WPMO-45W	5,049 lm	113 lm/W	4,950 lm	110 lm/W	45 W	Standard	175W MH
WPMO-70W	7,770 lm	112 lm/W	7,900 lm	113 lm/W	70W	Standard	250W MH
WPLO-90W	10,414 lm	116 lm/W	9,950 lm	111 lm/W	90 W	N/A	320W MH
WPLO-135W	15,340 lm	114 lm/W	15,550 lm	115 lm/W	135W	N/A	400W MH

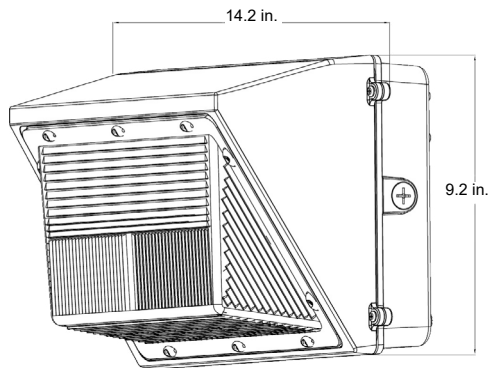
¹LED Chips are frequently updated therefore values are nominal
²Electrical data at 25C (77F). Actual wattage may differ by +/-10%.

LINE DRAWINGS

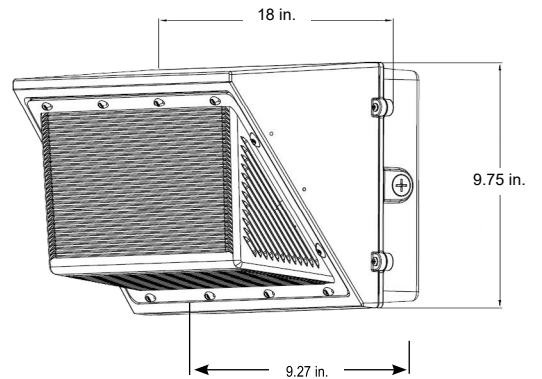
WPSO:



WPMO:



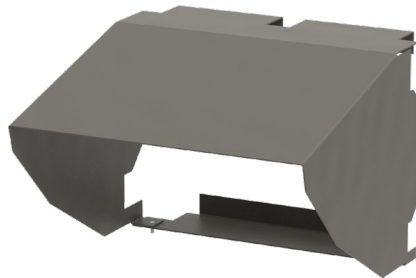
WPLO:



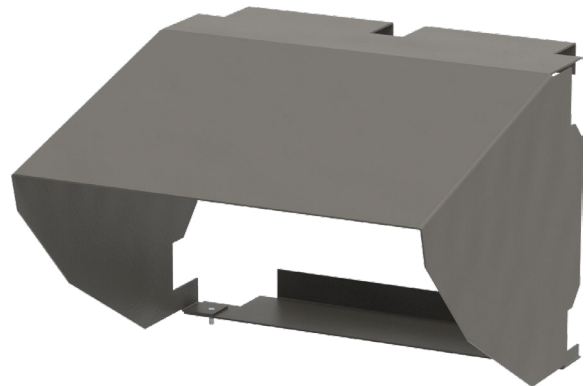
OPTIONS

HD/WPMO Medium Hood/Glare Shield - Field Installed

HD/WPLO Large Hood/Glare Shield - Field Installed



HD/WPMO

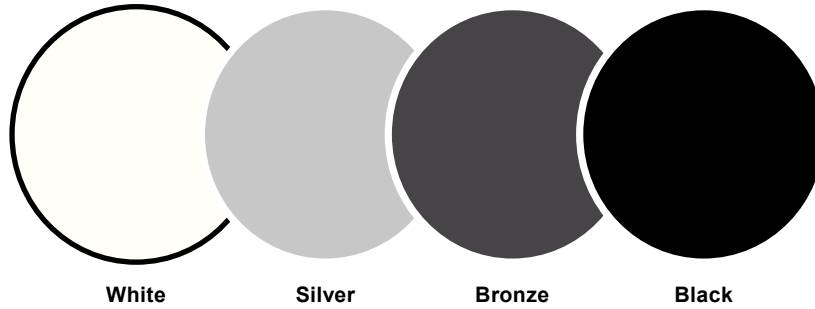


HD/WPLO

OPEN FACE WALL PACK

OUTDOOR

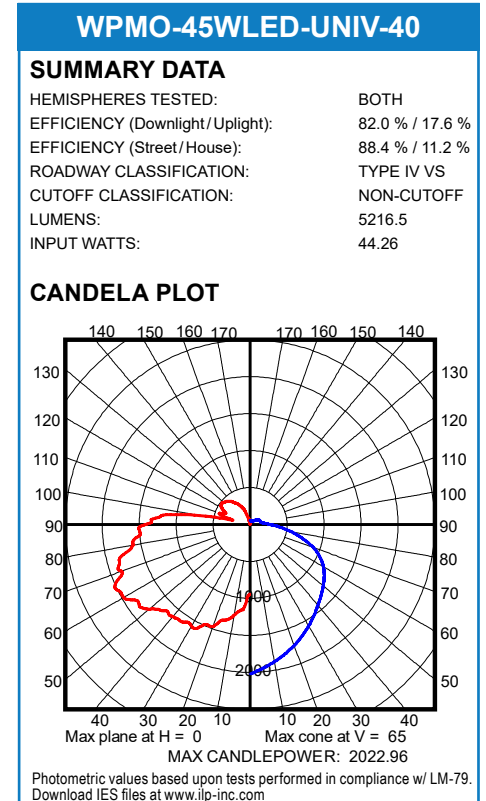
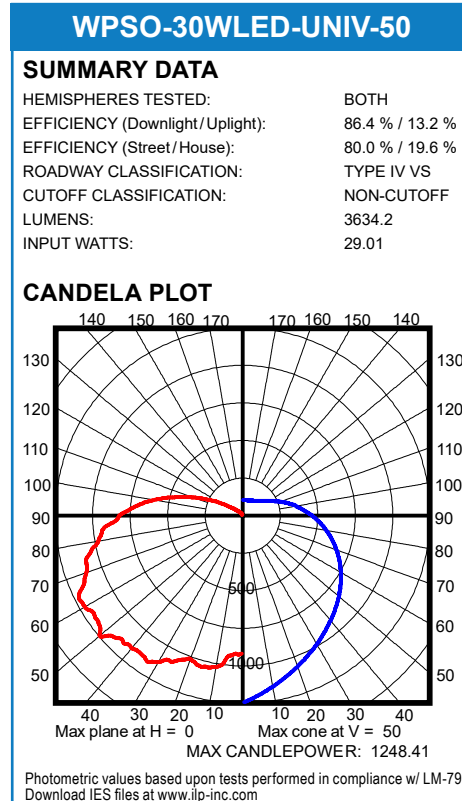
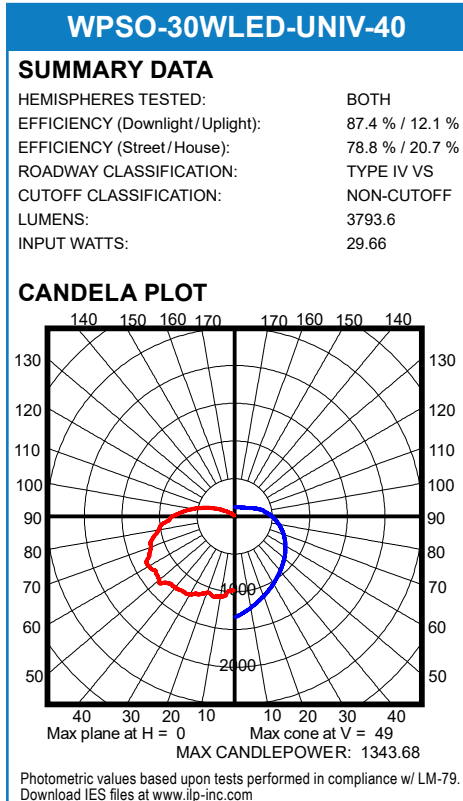
FACTORY SELECT COLOR GUIDE



COLOR NAME AND DESCRIPTION		SHEEN	PRICING
WHT	- ILP White	SEMI GLOSS	Consult Factory
SLV	- ILP Silver - Ultrasonic Chrome	GLOSS	Consult Factory
BRZ	- ILP Bronze	SEMI GLOSS	Consult Factory
BLK	- ILP Black	SEMI GLOSS	Consult Factory

COLORS SHOWN ABOVE ARE TO BE USED AS REFERENCE, NOT EXACT MATCH. PLEASE REQUEST PAINT CHIPS FOR EXACT MATCH.

PHOTOMETRIC DATA



OPEN FACE WALL PACK

OUTDOOR

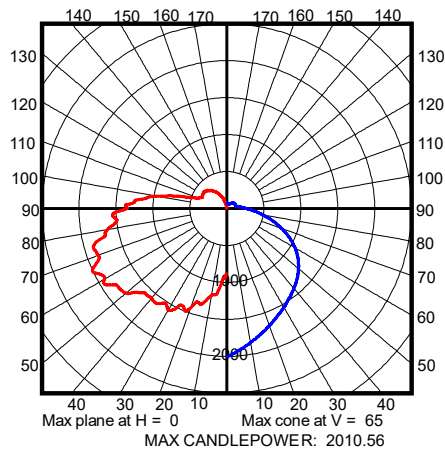
PHOTOMETRIC DATA

WPMO-45WLED-UNIV-50

SUMMARY DATA

HEMISPHERES TESTED:	BOTH
EFFICIENCY (Downlight/Uplight):	79.1 % / 20.3 %
EFFICIENCY (Street/House):	87.6 % / 11.7 %
ROADWAY CLASSIFICATION:	TYPE IV VS
CUTOFF CLASSIFICATION:	NON-CUTOFF
LUMENS:	5223.3
INPUT WATTS:	44.02

CANDELA PLOT



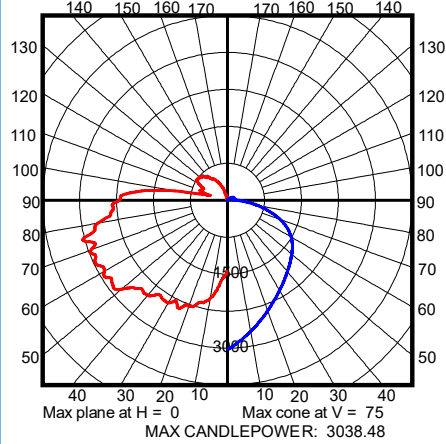
Photometric values based upon tests performed in compliance w/ LM-79.
Download IES files at www.ilp-inc.com

WPMO-70WLED-UNIV-40

SUMMARY DATA

HEMISPHERES TESTED:	BOTH
EFFICIENCY (Downlight/Uplight):	82.2 % / 17.4 %
EFFICIENCY (Street/House):	88.2 % / 11.4 %
ROADWAY CLASSIFICATION:	TYPE IV VS
CUTOFF CLASSIFICATION:	NON-CUTOFF
LUMENS:	7976.9
INPUT WATTS:	66.73

CANDELA PLOT



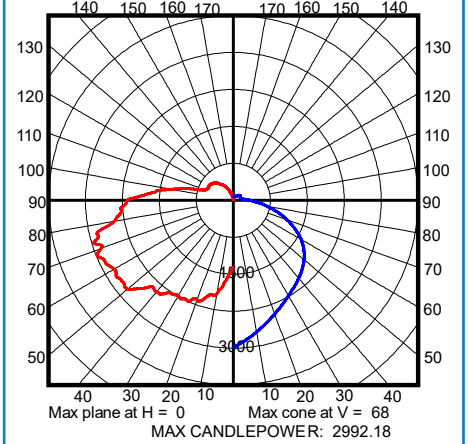
Photometric values based upon tests performed in compliance w/ LM-79.
Download IES files at www.ilp-inc.com

WPMO-70WLED-UNIV-50

SUMMARY DATA

HEMISPHERES TESTED:	BOTH
EFFICIENCY (Downlight/Uplight):	79.9 % / 19.3 %
EFFICIENCY (Street/House):	87.1 % / 12.1 %
ROADWAY CLASSIFICATION:	TYPE IV VS
CUTOFF CLASSIFICATION:	NON-CUTOFF
LUMENS:	7773.3
INPUT WATTS:	67.9

CANDELA PLOT



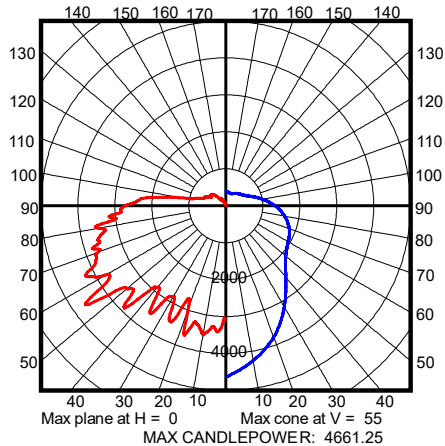
Photometric values based upon tests performed in compliance w/ LM-79.
Download IES files at www.ilp-inc.com

WPLO-90WLED-UNIV-40

SUMMARY DATA

HEMISPHERES TESTED:	BOTH
EFFICIENCY (Downlight/Uplight):	87.3 % / 12.5 %
EFFICIENCY (Street/House):	80.6 % / 19.2 %
ROADWAY CLASSIFICATION:	TYPE IV VS
CUTOFF CLASSIFICATION:	NON-CUTOFF
LUMENS:	10935
INPUT WATTS:	88.12

CANDELA PLOT



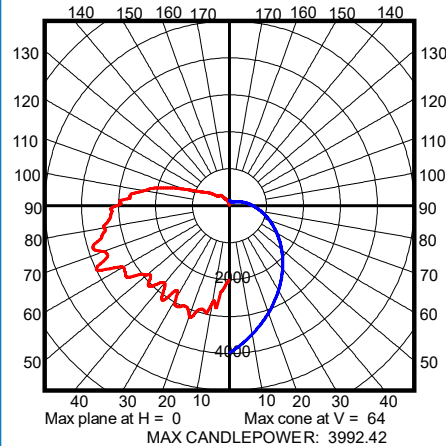
Photometric values based upon tests performed in compliance w/ LM-79.
Download IES files at www.ilp-inc.com

WPLO-90WLED-UNIV-50

SUMMARY DATA

HEMISPHERES TESTED:	BOTH
EFFICIENCY (Downlight/Uplight):	72.2 % / 17.3 %
EFFICIENCY (Street/House):	76.1 % / 13.5 %
ROADWAY CLASSIFICATION:	TYPE IV VS
CUTOFF CLASSIFICATION:	NON-CUTOFF
LUMENS:	10159.6
INPUT WATTS:	86.93

CANDELA PLOT



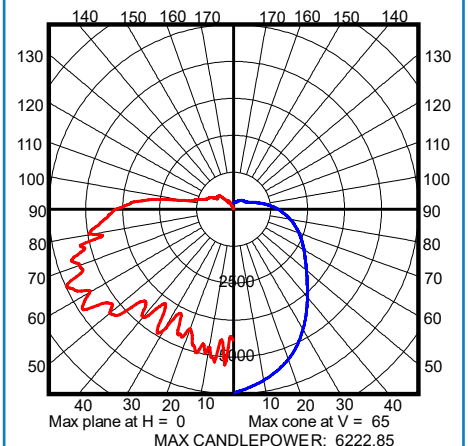
Photometric values based upon tests performed in compliance w/ LM-79.
Download IES files at www.ilp-inc.com

WPLO-135WLED-UNIV-40

SUMMARY DATA

HEMISPHERES TESTED:	BOTH
EFFICIENCY (Downlight/Uplight):	86.7 % / 13.1 %
EFFICIENCY (Street/House):	81.5 % / 18.3 %
ROADWAY CLASSIFICATION:	TYPE IV VS
CUTOFF CLASSIFICATION:	NON-CUTOFF
LUMENS:	15693
INPUT WATTS:	130.81

CANDELA PLOT



Photometric values based upon tests performed in compliance w/ LM-79.
Download IES files at www.ilp-inc.com

OPEN FACE WALL PACK

OUTDOOR

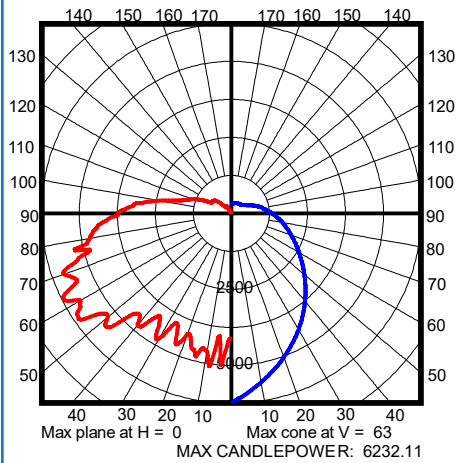
PHOTOMETRIC DATA

WPLO-135WLED-UNIV-50

SUMMARY DATA

HEMISPHERES TESTED:	BOTH
EFFICIENCY (Downlight / Uplight):	84.3 % / 15.0 %
EFFICIENCY (Street / House):	80.9 % / 18.4 %
ROADWAY CLASSIFICATION:	TYPE IV VS
CUTOFF CLASSIFICATION:	NON-CUTOFF
LUMENS:	15654.4
INPUT WATTS:	132.19

CANDELA PLOT



Photometric values based upon tests performed in compliance w/ LM-79.
Download IES files at www.ilp-inc.com