



# BIF

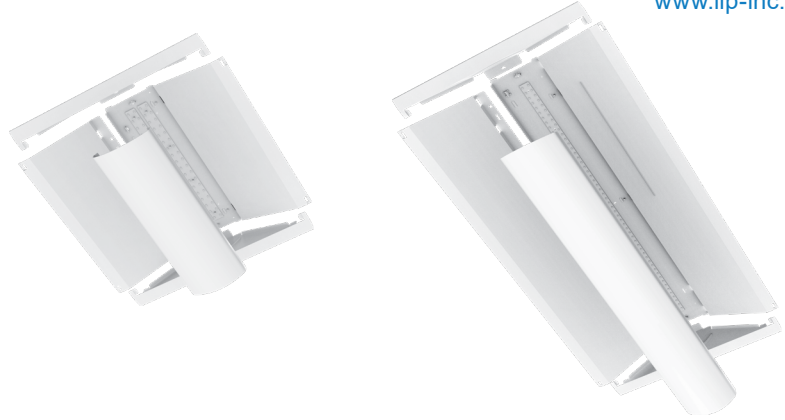
## LED - BUILT IN FRAME



407-478-3759  
www.ilp-inc.com

### FEATURES

- LED Retrofit Kit for recessed troffer applications
- Five piece design delivers seamless finish
- Average install time less than five minutes
- Frosted acrylic lens
- 2x2 & 2x4 sizes available
- >80 Color Rendering Index (CRI)
- Calculated L70 >100,000 hrs
- 0-10V Dimmable Driver (100%-10%)
- 5 Year Warranty
- UL Classified for Damp Locations
- DesignLights Consortium® Premium Qualified Luminaire



### SUITABLE APPLICATIONS

- Education
- Healthcare
- Offices
- Hallways
- Multipurpose Rooms
- Conference Rooms

### ORDERING GUIDE:

	SERIES	WATTS	DRIVER	CCT
BIF22	Built in Frame 2x2	25W 30W	U 120-277V	40
BIF24	Built in Frame 2x4	30W 37W 43W		

### OPTIONS

Factory Installed

ILBCP05	Field Installed 5W LED Battery Backup
ILBCP05/HE	Field Installed 5W LED Battery Backup - CEC Title 20 Compliant
ILBCP07	Field Installed 7W LED Battery Backup
ILBCP07/HE	Field Installed 7W LED Battery Backup - CEC Title 20 Compliant
ILBCP10	Field Installed 10W LED Battery Backup
ILBCP10/HE	Field Installed 10W LED Battery Backup - CEC Title 20 Compliant
ILBCP12	Field Installed 12W LED Battery Backup



### QUICK SHIP ITEMS:

	SERIES	WATTS	DRIVER	CCT
BIF22	Built in Frame 2'x2'	25W 30W	U 120-277V	40
BIF24	Built in Frame 2'x4'	30W 37W 43W		

# BIF

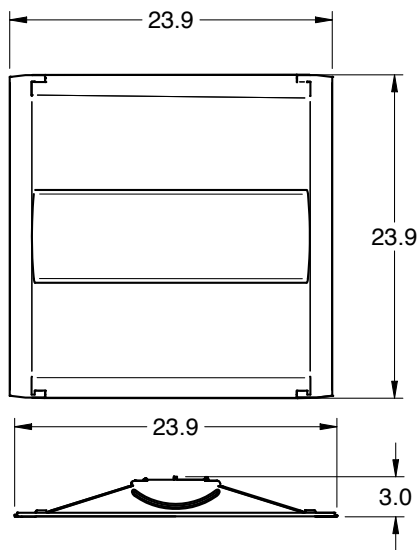
## LED - BUILT IN FRAME

LED SYSTEMS INFORMATION <sup>1</sup>	4000K		Watts <sup>2</sup>	DLC Listing	Replaces	
	Part Numbers	Lumens				Efficacy
	BIF22-25W	3,000 lm	130 lm/W	23 W	Premium	2T8
	BIF22-30W	3,840 lm	128 lm/W	30 W	Premium	2T8
	BIF24-30W	3,900 lm	130 lm/W	30 W	Premium	2T8
	BIF24-37W	4,752 lm	132 lm/W	36 W	Premium	3T8
	BIF24-43W	5,376 lm	128 lm/W	42 W	Premium	3T8

<sup>1</sup>LED Chips are frequently updated therefore values are nominal  
<sup>2</sup>Electrical data at 25C (77F). Actual wattage may differ by +/-10%.

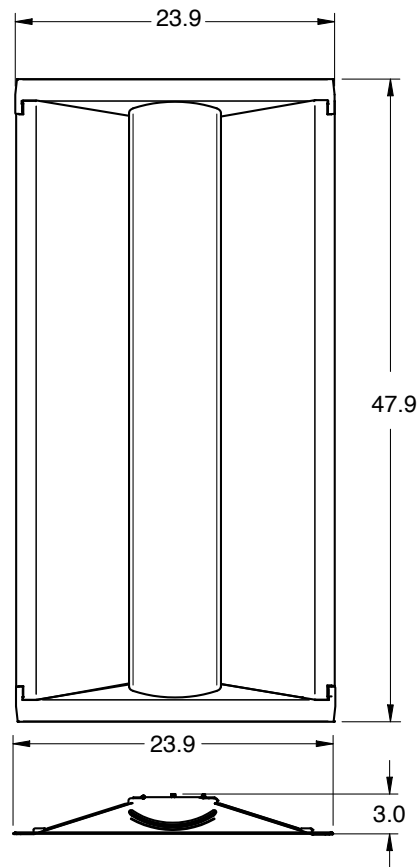
## LINE DRAWINGS

2x2:



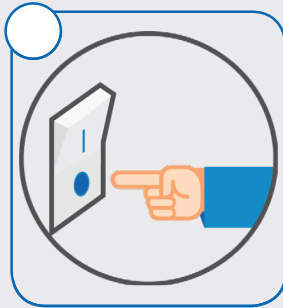
2x2 Dimensions

2x4:



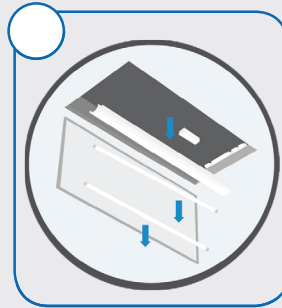
2x4 Dimensions

# INSTALL INSTRUCTIONS



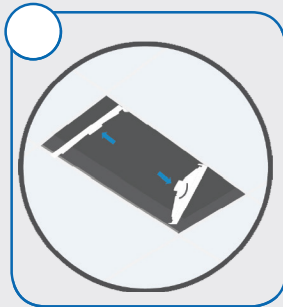
## • **STEP 1**

- Shut off or disconnect power to the fixture.



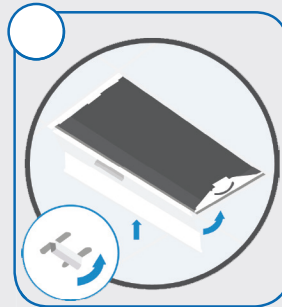
## • **STEP 2**

- Remove existing fluorescent lamps and components, then disconnect existing connections to the fluorescent ballast.



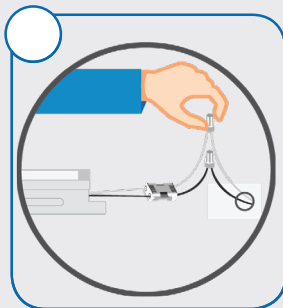
## • **STEP 3**

- Gently lift the original housing and insert the brackets between the housing and the T-grid.



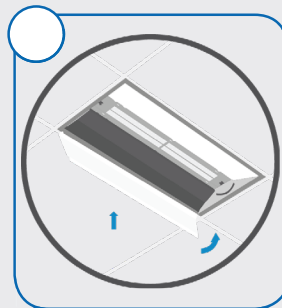
## • **STEP 4**

- Install the gear panel by first hooking the slots into the respective tabs in the end panels. Rotate the fasteners to secure in place.



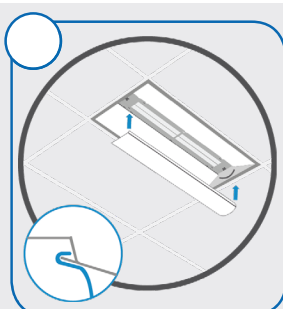
## • **STEP 5**

- Connect the BIF to AC power and ground.



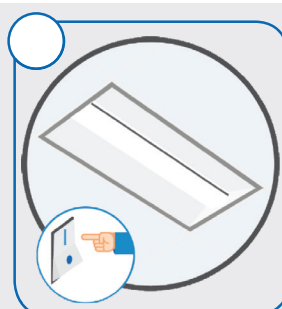
## • **STEP 6**

- Install the side panel by first hooking the slots into the respective tabs in the end panels. Rotate the fasteners to secure in place.



## • **STEP 7**

- Install the lens by hooking onto the tabs on the gear panel and the side panel.



## • **STEP 8**

- Turn on or reconnect power to the fixture to complete the installation.