



# WTZ Amazon Series Installation & Maintenance Manual

**WARNING:** Carefully read through the manual before attempting to install or perform maintenance on the fixture. Only a qualified electrical technician should perform installation of the fixture.

## Table of Contents

INTRODUCTION ..... 2

    Purpose ..... 2

    Product Description ..... 2

    Product Specifications..... 2

    Suitable Applications..... 3

INSTALLATION ..... 3

    WARNING..... 3

    Tools and Materials..... 3

    Mounting..... 3

    Wiring..... 4

TROUBLESHOOTING..... 4

MAINTENANCE..... 5

    Lens ..... 5



## INTRODUCTION

### Purpose

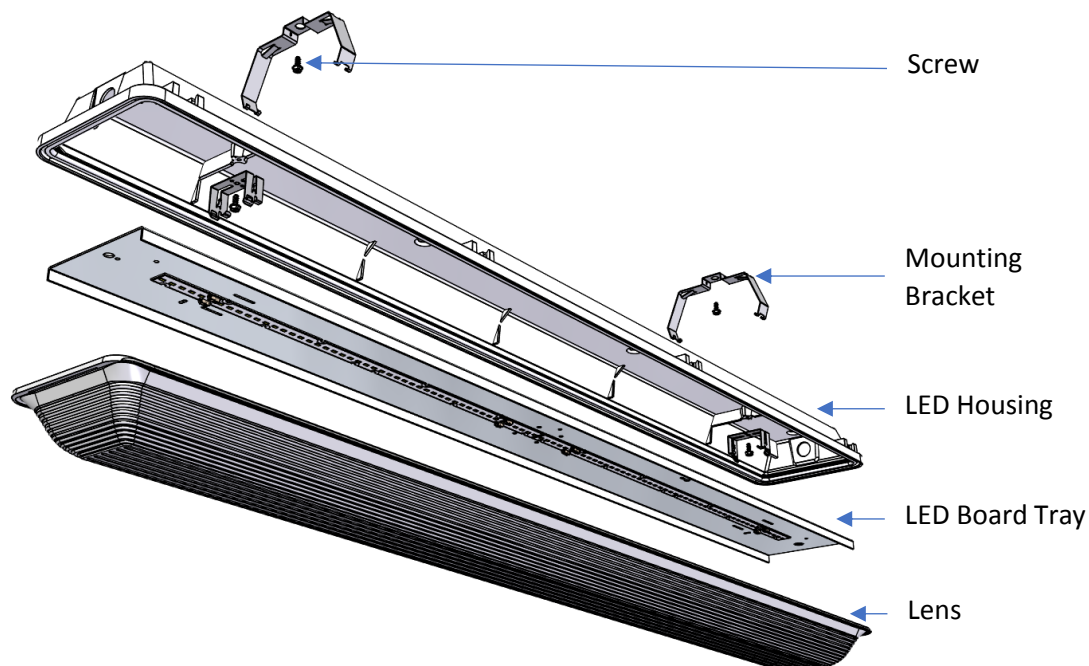
The purpose of this manual is to provide guidelines and procedures for the installation and maintenance of the fixture. This manual should be retained by the customer for reference upon completion of installation.

### Product Description

The WTZ Amazon Series fixtures are luminaires that have been designed for wet location applications. With a variety of mounting and light output options, the WTZ is a versatile fixture for a variety of applications. The fixture comes preassembled and will only require mounting and wiring procedures upon time of installation.

### Product Specifications

- Impact resistant, Ribbed Acrylic Frosted (RAFL) Standard, Ribbed Polycarbonate (RPCL) Deep Clear Lens (DPCL) or Deep Frosted Lens (DPFL) options
- Continuous poured, closed cell polyurethane gasket
- Stainless steel mounting brackets for drill free mounting (std.)
- Polycarbonate latches (std.), Stainless Steel (SS) optional
- Tamper Proof Screws (TPS) optional
- 0-10V Dimmable Driver (100% - 10%) (140W - 100% - 5%)
- ETL Wet Location Rated
- 5 Year Warranty
- Fiberglass body attributes:
  - IP65, IP66, IP67 (Dust tight, low/high pressure water jets and immerse 1M)
  - NEMA4X, NSF Rated & 5VA Flame Rating





## Suitable Applications

- Parking Garage
- Food Processing and preparation (Stainless Steel latches)
- Pool Areas (Stainless Steel Latches)
- Car Washes (Stainless steel latches)

## INSTALLATION

### WARNING

- To avoid the risk of fire, explosion, or electric shock, this product shall be installed, inspected, and maintained by a qualified electrician, in accordance with all applicable electrical codes.
- Before installing, servicing, or performing maintenance on the fixture, follow the general guidelines below.
- To avoid electric shock:
  - Be certain electrical power is OFF before and during installation and maintenance.
  - Luminaire must be connected to a wiring system with equipment-grounding conductor.
- To avoid explosion:
  - Ensure the supply voltage is the same as the rated luminaire voltage.
  - Do not install where marked operating temperatures exceed the ignition temperature of the hazardous atmosphere.
- Inspect individual fixtures for any signs of damage before beginning installation
- DO NOT install any fixture that is damaged

### Tools and Materials

- WTZ Amazon Pre-Assembled Lighting Fixture
- Lens
- Wire Cutter
- Stainless Steel Mounting Brackets
- Mounting Screws or other suitable hardware (Not provided)

### Mounting

- Locate position of light fixture installation. Selected location must not hinder ventilation to the fixture unless specific product specifications indicate otherwise.
- Use screws to secure stainless-steel mounting brackets on mounting surface not further than the length of the fixture.
- Once both stainless steel mounting brackets are secure, position WTZ lighting fixture parallel to the mounting brackets and push the top of the lighting fixture against the mounting brackets until the lighting fixture has clicked into place. Ensure both mounting brackets have clicked into place along the outer lips of the fixture housing.

NOTE: Mounting of the fixture does not require drilling into the fixture.



## Wiring

**WARNING:** All wiring should be performed by a qualified technician and according to the appropriate local electrical code. Wear gloves when disassembling fixture.

The lighting fixture comes pre-assembled from factory. Depending on customer needs, the lighting fixture will either come with installed power cord or without one.

### **Pre-installed power cord**

- Make the appropriate wire connections between the lighting fixture cord wires and the power source wires. All wire connections should be completed using approved/appropriate wire connections according to all applicable electrical codes.
- Wires must not be exposed or frayed. Inspect wires for any signs of damage.

### **NO pre-installed power cord**

If there is no pre-installed power cord with the lighting fixture, customer will need to gain access to the internal components to make the appropriate wire connections.

- Remove the lens by locating and releasing the latches holding the lens to the housing. Support the lens while releasing the latches to avoid dropping the lens.
- Identify the fixture tray and locate the retainer clips that hold the LED board tray in place.
- Support the tray with one hand and compress all the retainer clips to release the tray from the housing.
- Lower the tray until the plastic tether wires suspend the fixture tray in place
- Locate the driver and identify the neutral wire, line wire and the grounding wire.
- Run the external power line wires through the end of the housing and make the appropriate wire connections between the lighting fixture wires and the power source wires. All wire connections should be completed using approved/appropriate wire connections and according to local electrical code.
- Use appropriate parts/accessories to ensure the housing wire port is sealed to prevent water/dust intrusion.
- Inspect the closed cell polyurethane gasket for any gaps or damage.
- Reinstall the board tray and lens.

## TROUBLESHOOTING

If, upon completion of installation, the lighting fixture fails to operate:

- Ensure there is power at the fixture
- Ensure the fixture is properly wired
- Ensure the fixture is properly grounded
- Ensure there is proper line voltage at the fixture



## MAINTENANCE

The purpose of this section is to provide guidelines and instructions for the maintenance of lighting fixtures to ensure optimal performance.

Maintenance should be performed by an individual familiar with the fixture's hazards and construction. Depending on the application of the fixture, maintenance schedules will vary and should be developed by the customer following periodic observation once fixtures are operating.

WTZ fixtures are IP67 rated and designed to prevent the intrusion of dust and moisture into internal components. However, outer surfaces may accumulate dust and other contaminants. Rate of accumulation will vary according to application and location of installed fixtures.

Due to the IP67 rating of the WTZ, there should be no accumulation of dust or moisture within the fixture. Therefore, the fixture should only require dusting/wipe-down of the exterior surfaces as part of the regular maintenance. However, if a more thorough cleaning is required or desired, the lens may be removed and washed according to the following steps:

### Lens

- Ensure power is turned off or disconnected before proceeding with maintenance. Once fixture is powered off, ensure the fixture is given enough time to cool.
- Identify the latches securing the lens to the housing. While supporting the lens in place, release all the latches. Carefully lower lens from housing.
- Prepare a cleaning solution consisting of warm water and mild soap. Wash the lens in the solution, using non-abrasive materials to prevent damage.
- Rinse with clean water and dry.
- Inspect the closed cell Polyurethane gasket on housing before reinstalling the lens. The gasket should have no gaps and should be capable of creating a tight seal.
- Reinstall lens onto fixture housing.