

Project Name:

Part Number:

Type:

# RIGHT ANGLE WOOD POLE BRACKET



407-478-3759  
www.ilp-inc.com

## FEATURES

- Single luminaire 2-3/8" tenon curved wood pole mounting bracket
- Body is steel tube constructed from A500 Grade B Steel
- Weight: 13 lbs
- Max luminaire weight: 105 lbs
- Coated with a durable polyester powder coat finish to withstand extreme weather changes without cracking or peeling (Consult Factory for custom colors)
- 5-Year warranty



## COMPATIBLE WITH

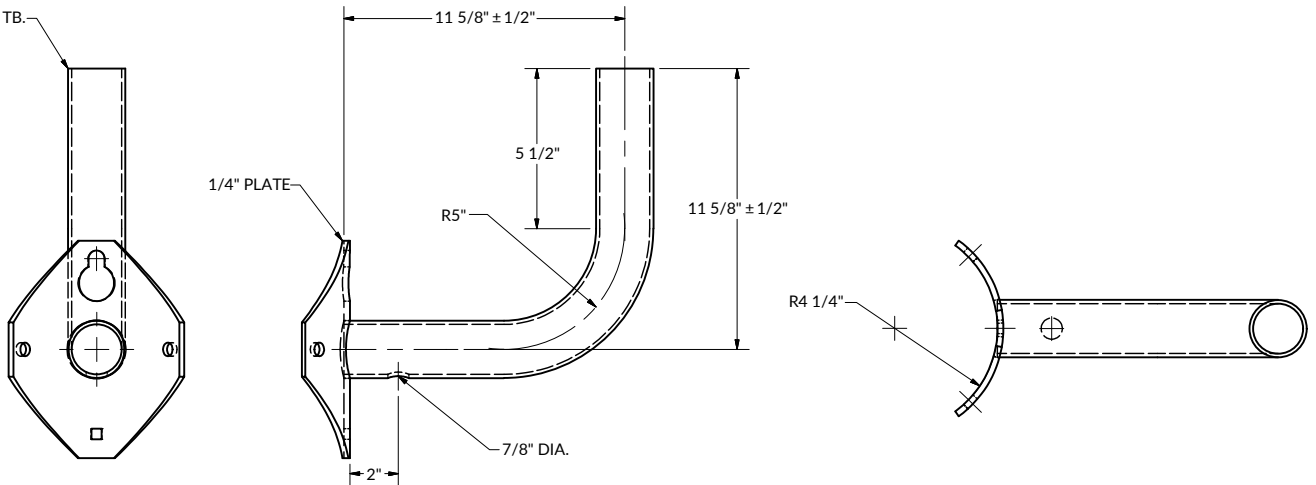
- AL
- CFS
- CFM
- SAS
- SAM
- VFM
- VFL
- VFX
- VAS
- VAM

## ORDERING GUIDE:

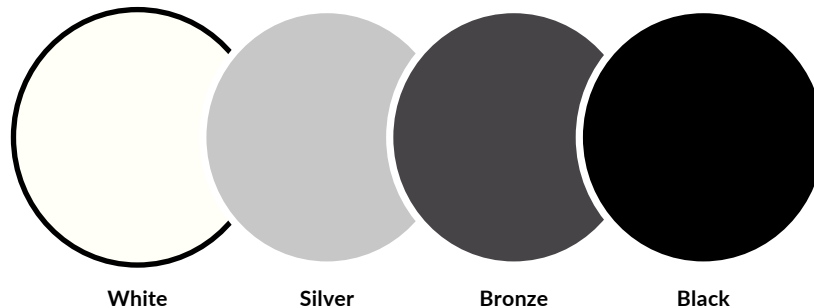
SERIES	FINISH
RAB-WM	BRZ Bronze
	BLK Black
	SLV Silver
	WHT White

## LINE DRAWINGS

2 3/8" O.D. x .154 WALL TB.



## FACTORY SELECT COLOR GUIDE



White

Silver

Bronze

Black

COLORS SHOWN ABOVE ARE TO BE USED AS REFERENCE, NOT EXACT MATCH.  
PLEASE REQUEST PAINT CHIPS FOR EXACT MATCH.