

Project Name:

Part Number:

Type:

TRIPLE 120° ROUND SQUARE ROUND BRACKET

RSR-T3-2, RSR-T3-3, RSR-T3-4



407-478-3759
www.ilp-inc.com

FEATURES

- Triple 120° round square round luminaire mounting bracket for wood, steel, or concrete poles
- Body is steel tube constructed from A500 Grade B Steel
- Designed to slip fit onto 2-3/8", 2-7/8" and 4" vertical tenons
- Assembled removable cap with mounting hardware provided standard
- EPA: 2.2
- Weight: RSR-T3-2 = 39 lbs, RSR-T3-3 = 42 lbs, RSR-T3-4 = 46 lbs
- Max luminaire weight per arm: 100 lbs
- Coated with a durable polyester powder coat finish to withstand extreme weather changes without cracking or peeling (Consult Factory for custom colors)
- 5-Year warranty

COMPATIBLE WITH

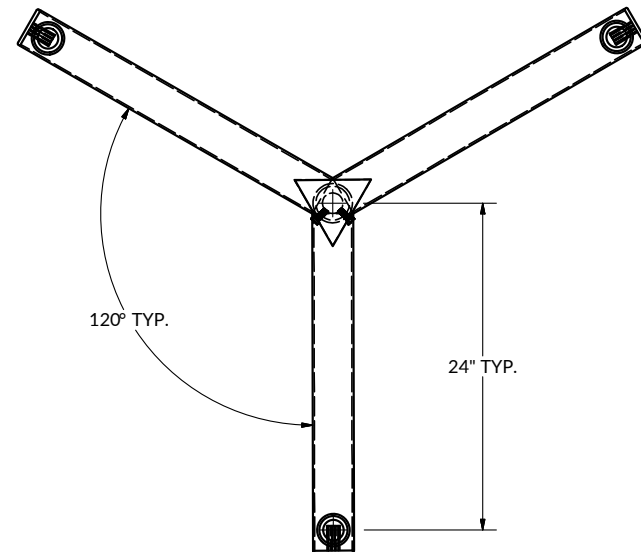
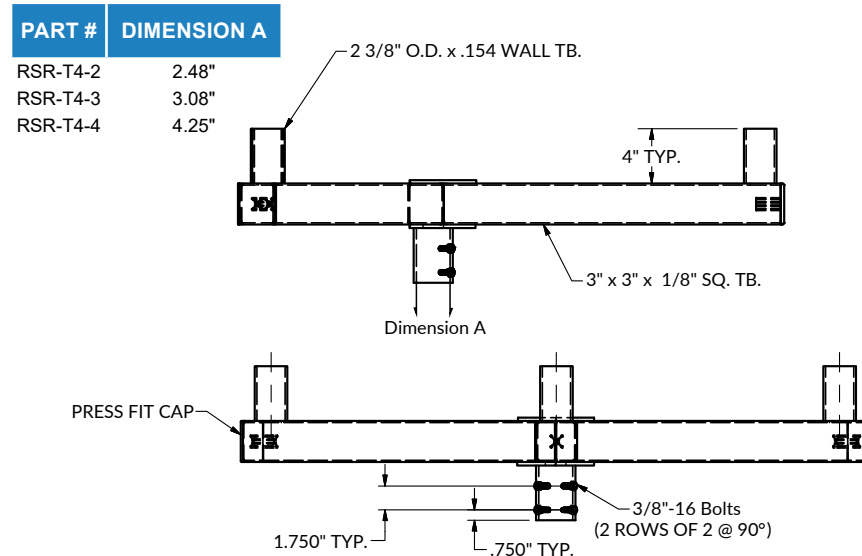
- AL
- CFS
- CFM
- SAS
- SAM
- VFM
- VFL
- VFX
- VAS
- VAM



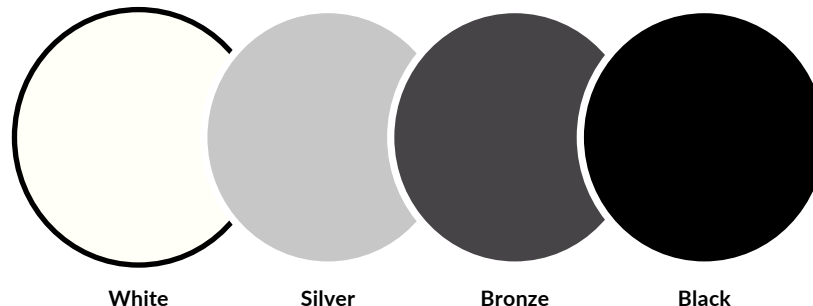
ORDERING GUIDE:

SERIES	TENON	FINISH	
RSR-T3	2 2-3/8"	BRZ	Bronze
	3 2-7/8"	BLK	Black
	4 4"	SLV	Silver
		WHT	White

LINE DRAWINGS



FACTORY SELECT COLOR GUIDE



COLORS SHOWN ABOVE ARE TO BE USED AS REFERENCE, NOT EXACT MATCH.
PLEASE REQUEST PAINT CHIPS FOR EXACT MATCH.