

Project Name:

Part Number:

Type:

# QUAD ROUND SQUARE ROUND BRACKET

RSR-T4-2, RSR-T4-3, RSR-T4-4



407-478-3759  
www.ilp-inc.com

## FEATURES

- Quad 90° round square round luminaire mounting bracket for wood, steel, or concrete poles
- Body is steel tube constructed from A500 Grade B Steel
- Designed to slip fit onto 2-3/8", 2-7/8" and 4" vertical tenons
- Assembled removable cap with mounting hardware provided standard
- EPA: 4
- Weight: RSR-T4-2 = 48 lbs, RSR-T4-3 = 51 lbs, RSR-T4-4 = 55 lbs
- Max luminaire weight per arm: 100 lbs
- Coated with a durable polyester powder coat finish to withstand extreme weather changes without cracking or peeling (Consult Factory for custom colors)
- 5-Year warranty



## COMPATIBLE WITH

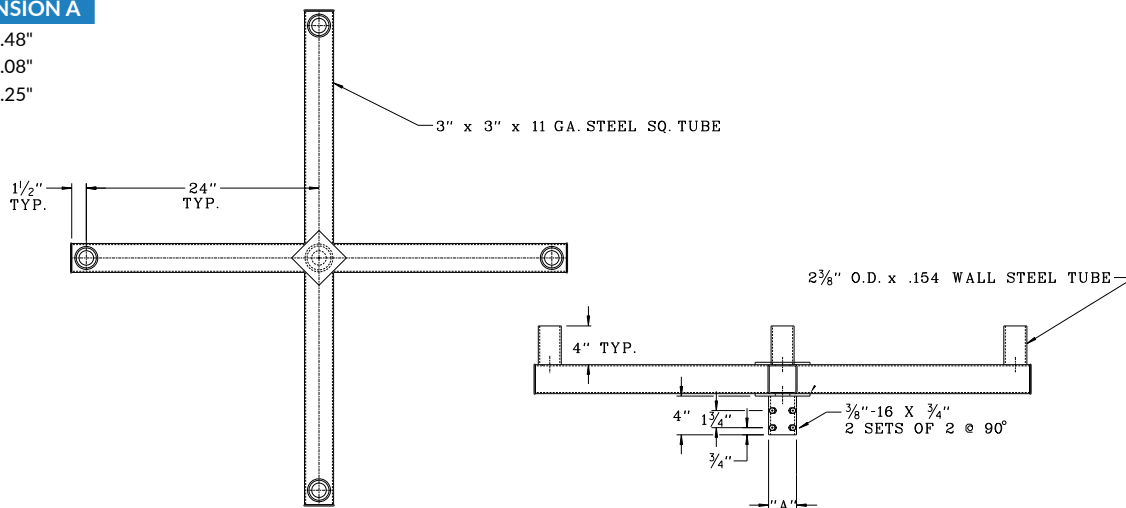
- AL
- FLL
- FDLS
- CFS
- FDL
- CFM
- FML

## ORDERING GUIDE:

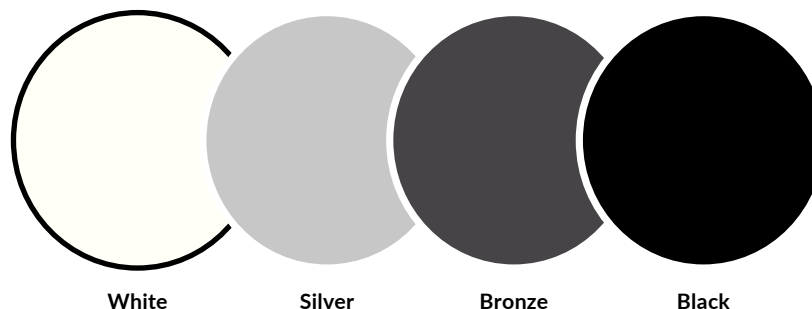
SERIES	TENON	FINISH
RSR-T4	2 2-3/8"	<b>BRZ</b> Bronze
	3 2-7/8"	<b>BLK</b> Black
	4 4"	<b>SLV</b> Silver
		<b>WHT</b> White

## LINE DRAWINGS:

PART #	DIMENSION A
RSR-T4-2	2.48"
RSR-T4-3	3.08"
RSR-T4-4	4.25"



## FACTORY SELECT COLOR GUIDE



COLORS SHOWN ABOVE ARE TO BE USED AS REFERENCE, NOT EXACT MATCH.  
PLEASE REQUEST PAINT CHIPS FOR EXACT MATCH.