

Project Name:

Part Number:

Type:

TRIPLE 120° BULLHORN

S3-A24-2, S3-A24-3, S3-A24-4



407-478-3759
www.ilp-inc.com

FEATURES

- Triple linear luminaire mounting bracket for wood, steel, or concrete poles
- Body is steel tube constructed from A500 Grade B Steel
- Designed to slip fit onto 2-3/8", 2-7/8" and 4" vertical tenons
- Assembled removable cap with mounting hardware provided standard
- EPA: 1.9
- Weight: S3-A24-2 = 33 lbs, S3-A24-3 = 35 lbs, S3-A24-4 = 39 lbs
- Max luminaire weight per arm: 100 lbs
- Coated with a durable polyester powder coat finish to withstand extreme weather changes without cracking or peeling (Consult Factory for custom colors)
- 5-Year warranty

COMPATIBLE WITH

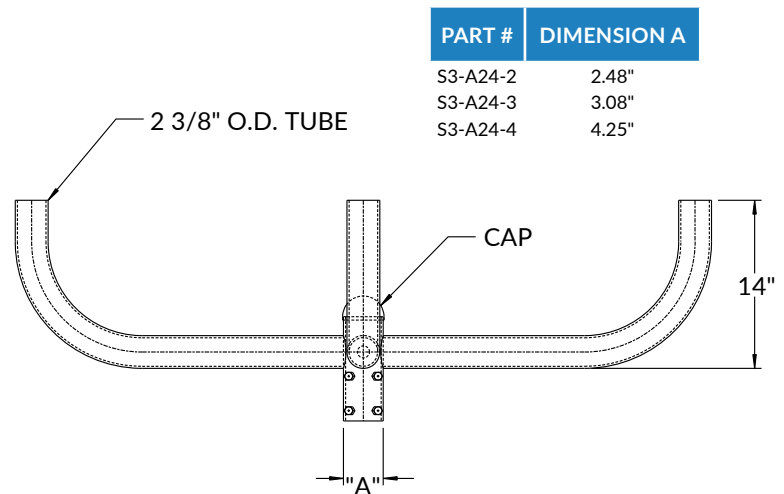
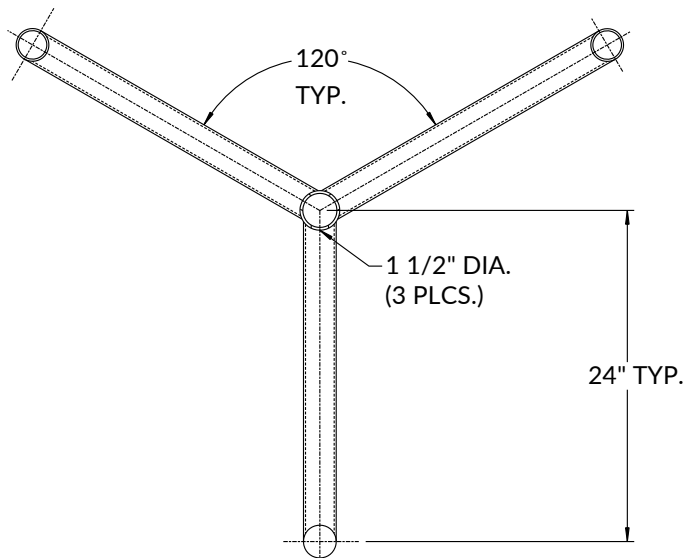
- AL
- ACFS
- ACFM
- ASAS
- ASAM
- AVFM
- AVFL
- AVFX
- AVAS
- AVAM



ORDERING GUIDE:

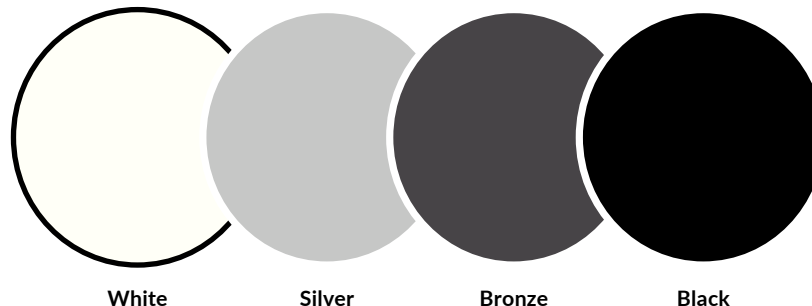
SERIES	SPACING	TENON	FINISH
S3	A24	2 2-3/8"	BRZ Bronze
		3 2-7/8"	BLK Black
		4 4"	SLV Silver
			WHT White

LINE DRAWINGS



PART #	DIMENSION A
S3-A24-2	2.48"
S3-A24-3	3.08"
S3-A24-4	4.25"

FACTORY SELECT COLOR GUIDE



COLORS SHOWN ABOVE ARE TO BE USED AS REFERENCE, NOT EXACT MATCH.
PLEASE REQUEST PAINT CHIPS FOR EXACT MATCH.