

Project Name:

Part Number:

Type:

QUAD BULLHORN

S4-A24-2, S4-A24-3, S4-A24-4



407-478-3759
www.ilp-inc.com

FEATURES

- 90° Quad Bullhorn luminaire mounting bracket for wood, steel, or concrete poles
- Body is steel tube constructed from A500 Grade B Steel
- Designed to slip fit onto 2-3/8", 2-7/8" and 4" vertical tenons
- Assembled removable cap with mounting hardware provided standard
- EPA: 2.5
- Weight: S4-A24-2 = 43 lbs, S4-A24-3 = 45 lbs, S4-A24-4 = 47 lbs
- Max luminaire weight per arm: 100 lbs
- Coated with a durable polyester powder coat finish to withstand extreme weather changes without cracking or peeling (Consult Factory for custom colors)
- 5-Year warranty

COMPATIBLE WITH

- AL
- CFS
- CFM
- SAS
- SAM
- VFM
- VFL
- VFX
- VAS
- VAM

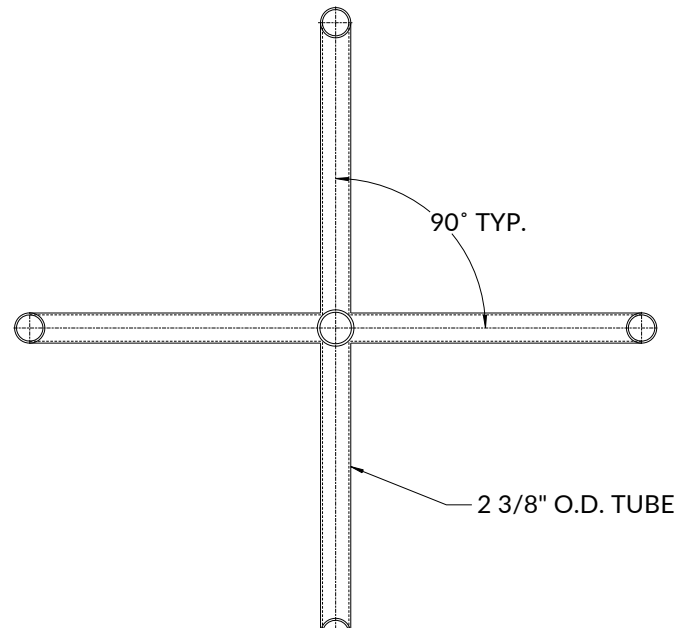
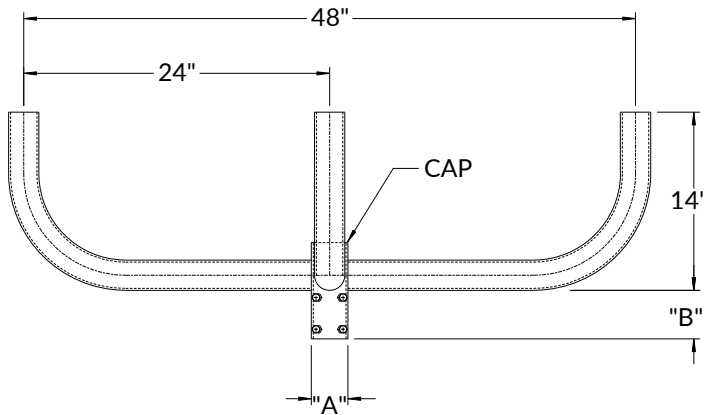


ORDERING GUIDE:

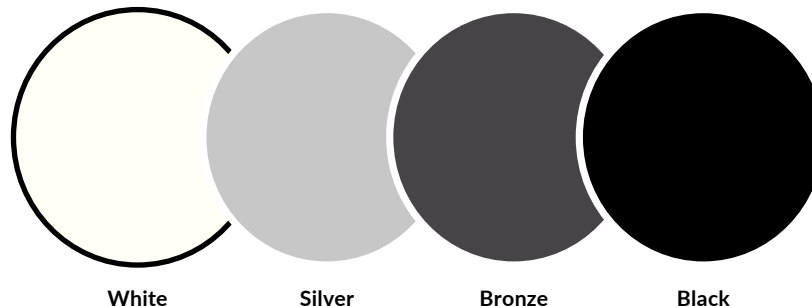
SERIES	SPACING	TENON	FINISH
S4	A24	2 2-3/8"	BRZ Bronze
		3 2-7/8"	BLK Black
		4 4"	SLV Silver
			WHT White

LINE DRAWINGS

PART #	DIMENSION A	DIMENSION B
S4-A24-2	2.48"	3 ¹³ / ₁₆ "
S4-A24-3	3.08"	4 ¹³ / ₁₆ "
S4-A24-4	4.25"	5 ¹ / ₄ "



FACTORY SELECT COLOR GUIDE



COLORS SHOWN ABOVE ARE TO BE USED AS REFERENCE, NOT EXACT MATCH.
PLEASE REQUEST PAINT CHIPS FOR EXACT MATCH.