

Project Name:

Part Number:

Type:

QUAD LINEAR BULLHORN

S4-S30-2, S4-S30-3, S4-S30-4



407-478-3759
www.ilp-inc.com

FEATURES

- Quad linear luminaire mounting bracket for wood, steel, or concrete poles;
- Body is steel tube constructed from A500 Grade B Steel
- Designed to slip fit onto 2-3/8", 2-7/8" and 4" vertical tenons
- Assembled removable cap with mounting hardware provided standard
- EPA: 2.3
- Weight: S4-S30-2 = 44 lbs, S4-S30-3 = 46 lbs, S4-S30-4 = 55 lbs
- Max luminaire weight per arm: 100 lbs
- Coated with a durable polyester powder coat finish to withstand extreme weather changes without cracking or peeling (Consult Factory for custom colors)
- 5-Year warranty



COMPATIBLE WITH

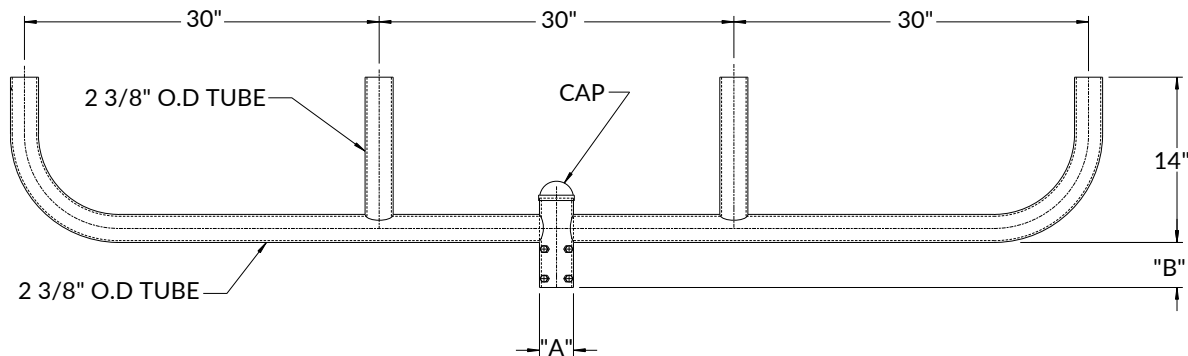
- AL
- FLL
- FDLS
- CFS
- FDL
- CFM
- FML

ORDERING GUIDE:

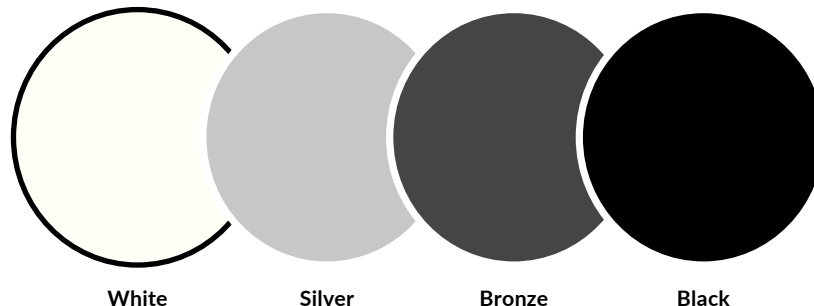
SERIES	SPACING	TENON	FINISH
S4	S30	2 2-3/8"	BRZ Bronze
		3 2-7/8"	BLK Black
		4 4"	SLV Silver
			WHT White

LINE DRAWINGS:

PART #	DIMENSION A	DIMENSION B
S4-S30-2	2.48"	3 ¹³ / ₁₆ "
S4-S30-3	3.08"	4 ¹³ / ₁₆ "
S4-S30-4	4.25"	5 ¹ / ₄ "



FACTORY SELECT COLOR GUIDE



COLORS SHOWN ABOVE ARE TO BE USED AS REFERENCE, NOT EXACT MATCH.
PLEASE REQUEST PAINT CHIPS FOR EXACT MATCH.