

Project Name:

Part Number:

Type:

# QUAD LINEAR BULLHORN

## S4-S30-2, S4-S30-3, S4-S30-4



407-478-3759  
www.ilp-inc.com

### FEATURES

- Quad linear luminaire mounting bracket for wood, steel, or concrete poles
- Body is steel tube constructed from A500 Grade B Steel
- Designed to slip fit onto 2-3/8", 2-7/8" and 4" vertical tenons
- Assembled removable cap with mounting hardware provided standard
- EPA: 2.3
- Weight: S4-S30-2 = 44 lbs, S4-S30-3 = 46 lbs, S4-S30-4 = 55 lbs
- Max luminaire weight per arm: 100 lbs
- Coated with a durable polyester powder coat finish to withstand extreme weather changes without cracking or peeling (Consult Factory for custom colors)
- 5-Year warranty



### COMPATIBLE WITH

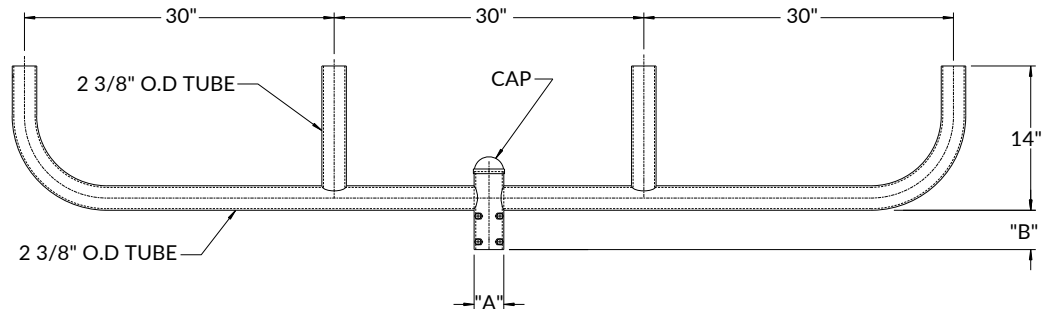
- AL
- CFS
- CFM
- SAS
- SAM
- VFM
- VFL
- VFX
- VAS
- VAM

### ORDERING GUIDE:

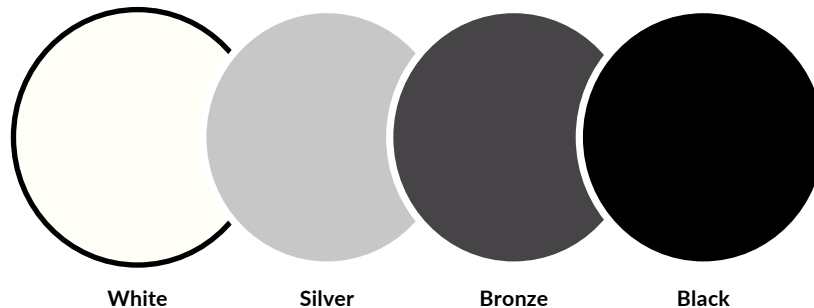
SERIES	SPACING	TENON	FINISH
S4	S30	2 2-3/8"	<b>BRZ</b> Bronze
		3 2-7/8"	<b>BLK</b> Black
		4 4"	<b>SLV</b> Silver
			<b>WHT</b> White

### LINE DRAWINGS

PART #	DIMENSION A	DIMENSION B
S4-S30-2	2.48"	3 <sup>13</sup> / <sub>16</sub> "
S4-S30-3	3.08"	4 <sup>13</sup> / <sub>16</sub> "
S4-S30-4	4.25"	5 <sup>1</sup> / <sub>4</sub> "



### FACTORY SELECT COLOR GUIDE



COLORS SHOWN ABOVE ARE TO BE USED AS REFERENCE, NOT EXACT MATCH.  
PLEASE REQUEST PAINT CHIPS FOR EXACT MATCH.