

Project Name:

Part Number:

Type:

DIRECTIONAL SIDE TENON BRACKET

SMB, HSMB, SMBT



407-478-3759
www.ilp-inc.com

FEATURES

- Single luminaire 2-3/8" tenon mounting bracket for wood, steel, or concrete poles
- Body is steel tube constructed from A500 Grade B Steel
- Alternate arm lengths available, consult factory
- Assembled removable cap (HSMB & SMBT) with mounting hardware provided standard
- Minimum 4" flat mounting space
- 9/16" diameter mounting holes with 5-5/8" spacing
- Weight: 10 lbs
- Max luminaire weight: 100 lbs
- Coated with a durable polyester powder coat finish to withstand extreme weather changes without cracking or peeling
- (Consult Factory for custom colors)
- 5-Year warranty



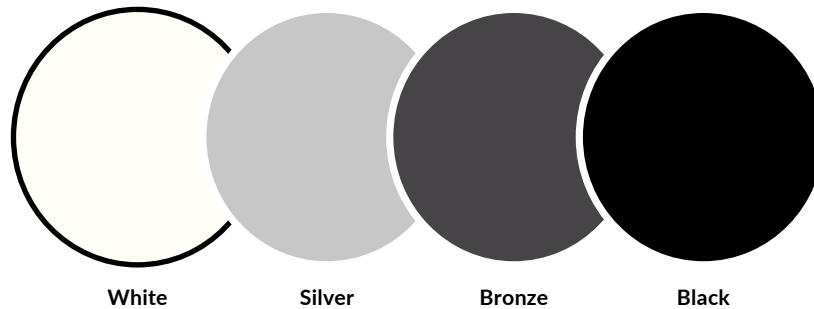
COMPATIBLE WITH

- AL

ORDERING GUIDE:

SERIES		TENON	FINISH	
SMB	Horizontal Mount	6 6"	BRZ	Bronze
HSMB	90° Horizontal Mount		BLK	Black
SMBT	Vertical Mount		SLV	Silver
			WHT	White

FACTORY SELECT COLOR GUIDE

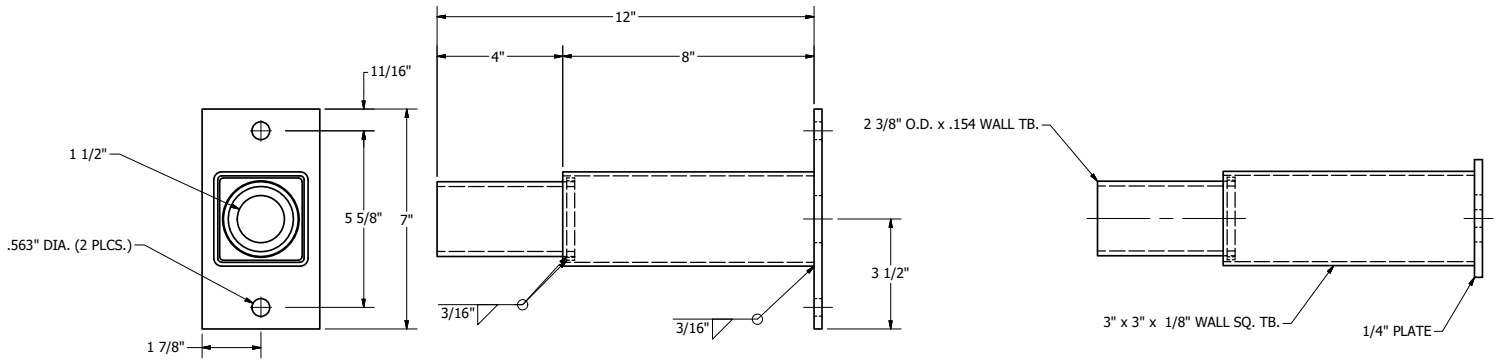


COLORS SHOWN ABOVE ARE TO BE USED AS REFERENCE, NOT EXACT MATCH.
PLEASE REQUEST PAINT CHIPS FOR EXACT MATCH.

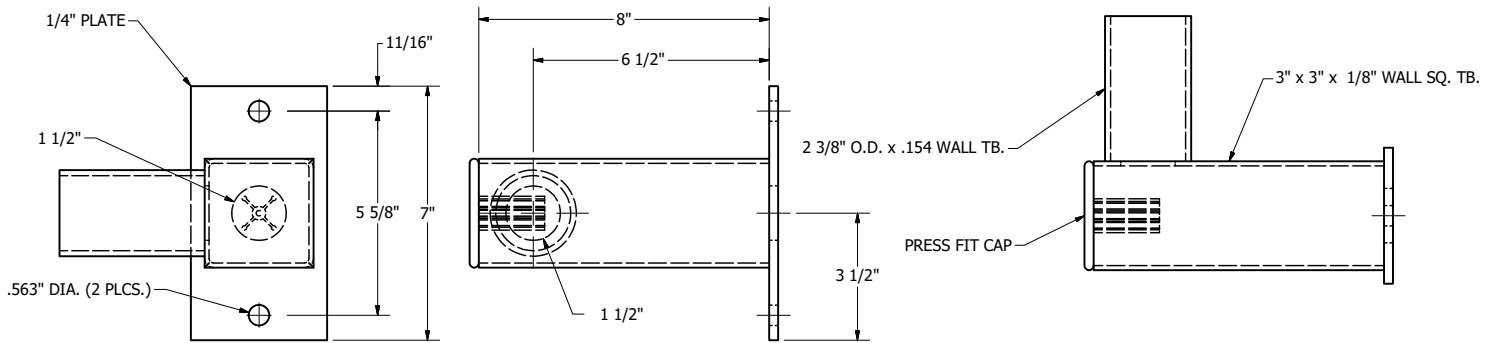
DIRECTIONAL SIDE TENON BRACKET

LINE DRAWINGS

SMB



HSMB



SMBT

