

Project Name:

Part Number:

Type:

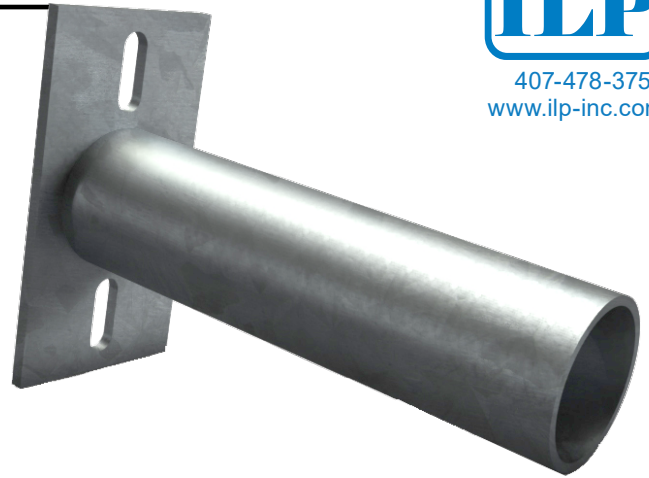
# SIDE TENON BRACKET



407-478-3759  
www.ilp-inc.com

## FEATURES

- Single luminaire mounting bracket for wood, steel, or concrete poles
- Body is steel tube constructed from A500 Grade B Steel
- Slotted to bolt onto existing pole mounting holes
- Alternate arm lengths available, consult factory
- Weight: 6 lbs
- Max luminaire weight: 100 lbs
- Coated with a durable polyester powder coat finish to withstand extreme weather changes without cracking or peeling (Consult Factory for custom colors)
- 5-Year warranty



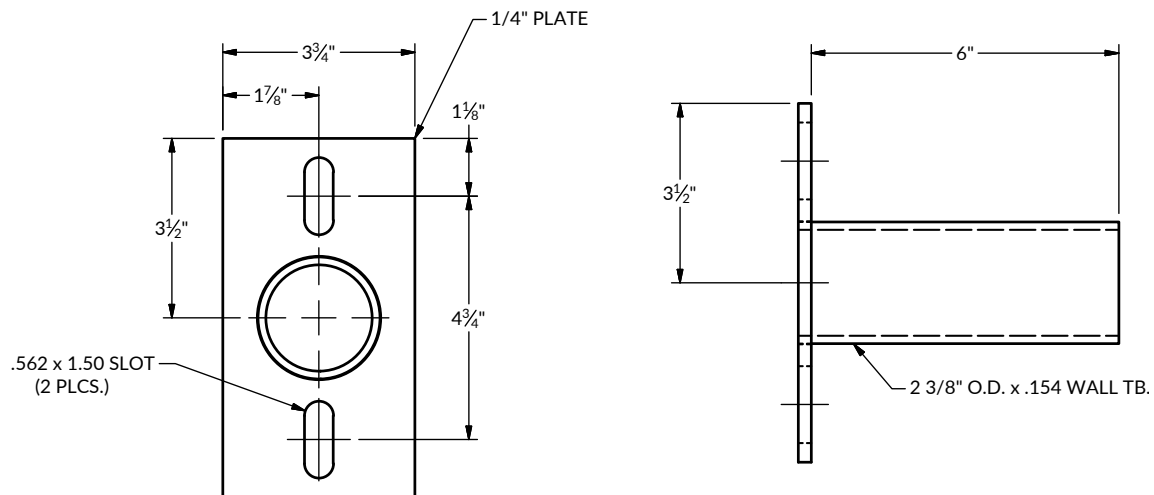
## COMPATIBLE WITH

- AL
- SAS
- SAM
- VFM
- VFL
- VFX
- VAS
- VAM

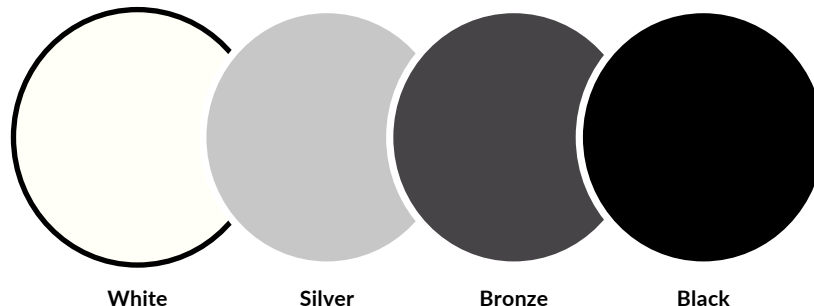
## ORDERING GUIDE:

SERIES	TENON	FINISH
ST2	6 6"	<b>BRZ</b> Bronze <b>BLK</b> Black <b>SLV</b> Silver <b>WHT</b> White

## LINE DRAWINGS



## FACTORY SELECT COLOR GUIDE



COLORS SHOWN ABOVE ARE TO BE USED AS REFERENCE, NOT EXACT MATCH.  
PLEASE REQUEST PAINT CHIPS FOR EXACT MATCH.