

Project Name:

Part Number:

Type:

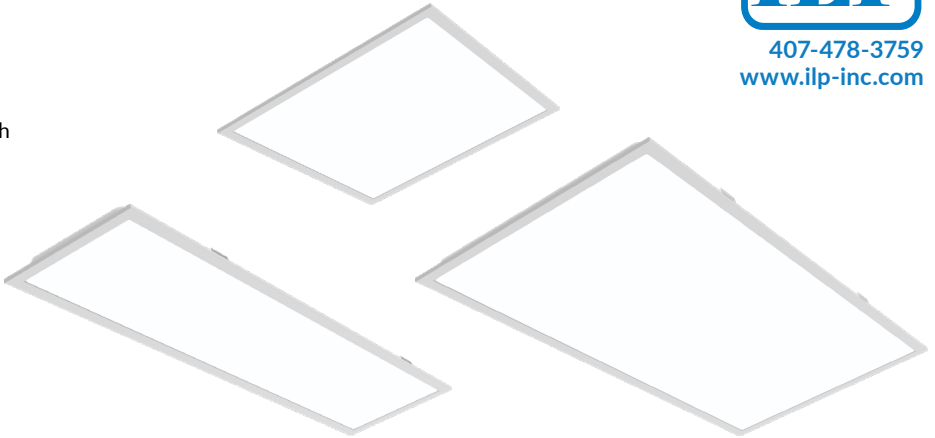


VPAN

Back-Lit Flat Panel



407-478-3759
www.ilp-inc.com



FEATURES

- Low Glare Smooth Uniform Illumination Back-Lit Panel
- Robust Die-Formed Housing with White Post-Paint Finish
- High Transmission PMMA Frosted lens
- Grid, Flange, Surface & Suspended Mounting Options
- 1x4, 2x2 & 2x4 Sizes
- Field Selectable or Factory Set Lumen Outputs
 - 2,700 to 7,000 Delivered Lumen Range
- 3500K & 4000K CCTs
- Enlarged Driver Box for Easy Installation
- >80 Color Rendering Index (CRI)
- Calculated L70 >100,000hrs
- 0-10V Dimmable Driver (100%-10%)
- 120-277V Universal Voltage
- 5 Year Warranty
- ETL Listed for Damp Locations
- DesignLights Consortium Qualified Luminaire



SUITABLE APPLICATIONS

- Education
- Healthcare
- Commercial Office
- Storage Facility
- Retail
- Grocery Store
- Residential

ORDERING GUIDE:

SERIES	LUMENS (select one)	DRIVER	CCT
VPAN14 1x4 Back-Lit Flat Panel	22L/27L/33L - Lumen Selectable	U 120-277V	40
	22L		35
	27L		
	33L		
VPAN22 2x2 Back-Lit Flat Panel	27L/33L/44L - Lumen Selectable		
	27L		
	33L		
	44L		
VPAN24 2x4 Back-Lit Flat Panel	33L/44L/55L - Lumen Selectable		
	33L		
	44L		
	55L		
	66L		

OPTIONS		CONTROLS	
Factory Installed		Basic	
FI/ILBCP05	5W LED Factory Installed Battery Backup	MWS ³	Bi-Level Dimming Microwave Sensor
FI/ILBCP05/HE ¹	5W LED Factory Installed Battery Backup		
FI/ILBCP07	7W LED Factory Installed Battery Backup		
FI/ILBCP07/HE ¹	7W LED Factory Installed Battery Backup		
FI/ILBCP10	10W LED Factory Installed Battery Backup		
FI/ILBCP10/HE ¹	10W LED Factory Installed Battery Backup		
FI/ILBCP12	12W LED Factory Installed Battery Backup		
SD347 ²	347V Step Down Transformer		
WHIP/xFT	Cord (x=ft)		
WHIP/xFT/4WIRE	Cord (x=ft) 4 wire w/ 3 leads attached to power & 1 lead for battery backup (non-dimming function)		
WHIP/6FT/5WIRE	Cord (x=ft) 5 wire w/ 3 leads attached to power and 2 lead attached to dimming		
WHIP/6FT/6WIRE	Cord (x=ft) 6 wire w/ 3 leads attached to power & 2 leads to dimming and 1 to battery backup		
Ship With Accessories			
FLGK	Flange Mount Kit		
SM	Surface Mount Kit		
MW/RC ⁴	Programming Tool for MWUSB Sensor		

¹CEC Title 20 Compliant

²Does not qualify for DLC

³Must be used with MW/RC option for commissioning

⁴One needed per project

VPAN

Back-Lit Flat Panel



QUICK SHIP ITEMS:

SERIES	LUMENS (select one)	DRIVER	CCT
VPAN14 1x4 Back-Lit Flat Panel	22L/27L/33L - Lumen Selectable	U 120-277V	40 35
VPAN22 2x2 Back-Lit Flat Panel	27L/33L/44L - Lumen Selectable		
VPAN24 2x4 Back-Lit Flat Panel	33L/44L/55 - Lumen Selectable 66L		

LED SYSTEMS INFORMATION ¹	3500K		4000K		Watts ²	CRI	DLC Listing	Ambient Temp. Range	Replaces
	Part Numbers	Lumens	Efficacy	Lumens					
VPAN14-22L-U-XX	2,656 lm	120 lm/W	2,782 lm	126 lm/W	22W	>80	Standard	-4°F - 104°F	1T8
VPAN14-27L-U-XX	3,062 lm	124 lm/W	3,098 lm	125 lm/W	25W				2T8
VPAN14-33L-U-XX	3,430 lm	120 lm/W	3,471 lm	125 lm/W	28W				2T8
VPAN22-27L-U-XX	3,060 lm	124 lm/W	3,133 lm	127 lm/W	25W	>80	Standard	-4°F - 104°F	2T8
VPAN22-33L-U-XX	3,637 lm	123 lm/W	3,724 lm	126 lm/W	30W				2T8
VPAN22-44L-U-XX	4,678 lm	121 lm/W	4,791 lm	123 lm/W	39W				3T8
VPAN24-33L-U-XX	3,508 lm	125 lm/W	3,562 lm	127 lm/W	28W	>80	Standard	-4°F - 104°F	2T8
VPAN24-44L-U-XX	4,568 lm	123 lm/W	4,638 lm	124 lm/W	37W				3T8
VPAN24-55L-U-XX	5,662 lm	119 lm/W	5,749 lm	121 lm/W	48W				4T8
VPAN24-66L-U-XX	6,773 lm	114 lm/W	6,945 lm	117 lm/W	60W				5T8

¹Values are nominal, see IES file for more detail

²Electrical data at 25C (77F). Actual wattage may differ by +/-10%

SPECIFICATIONS

CONSTRUCTION

Robust Die-Formed Housing and lens frame with White Post-Paint Finish for rigidity and durability. Formed and tightly constructed corners seal to housing to deter entrance of outside particles. Designed to achieve maximum performance and improved aesthetics.

ELECTRICAL

Class 2 LED light engine for high efficacy and long life. Calculated L70 > 100,000hrs. Power Factor > 0.90. Standard 120-277 Vac 0-10V dimmable (10% - 100%). Optional 347V step down transformer. Lumen Selectable fixtures allow for ease of field lumen adjustment with switch located on top side of driver. Lumen Selectable fixtures ship at the highest lumen output.

INSTALLATION

Designed for a variety of mounting solutions including recessed grid, flange and surface mount. VPAN fits into standard 15/16" T-grid ceiling. Standard integral T-grid clips affixed to housing for secure fixture to grid ceiling. Access plate installed on top of driver housing for ease of hardwire power connections. Optional factory installed power flex conduit whip (WHIP) available to reduce installation time.

OPTICS

High transmission extruded PMMA frosted acrylic lens with excellent shielding for durability and LED glare reduction. Individual micro optics present over each LED chip to provide smooth uniform illumination.

CONTROLS

Factory installed bi-level dimming microwave sensor to provide maximize energy savings when area is unoccupied. Sensor requires use of programming tool to set low end trim fixture output. Sensor installed behind lens.

CERTIFICATIONS

ETL Listed to US and Canadian safety standards. Suitable for damp locations. Title 24 Compliant with sensor option; see local ordinance for qualification information. DLC (DesignLights Consortium) Standard Qualified. Please refer to the DLC Qualified Products List at www.Designlights.org/QPL to confirm specific product qualifications.

WARRANTY

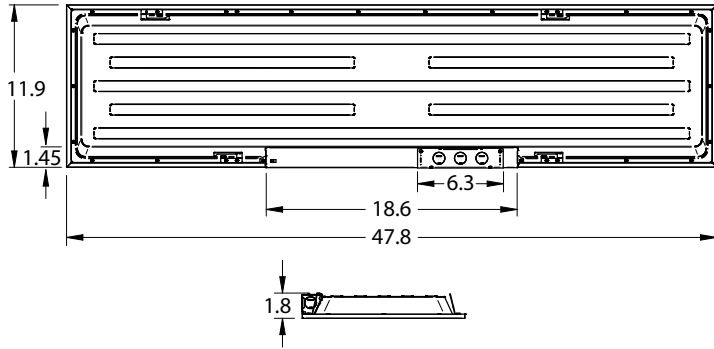
5 Year Warranty (Terms and Conditions apply)

VPAN

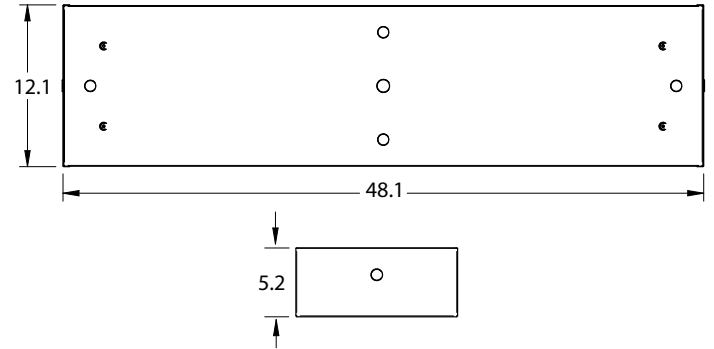
Back-Lit Flat Panel

LINE DRAWINGS

1x4 Dimensions

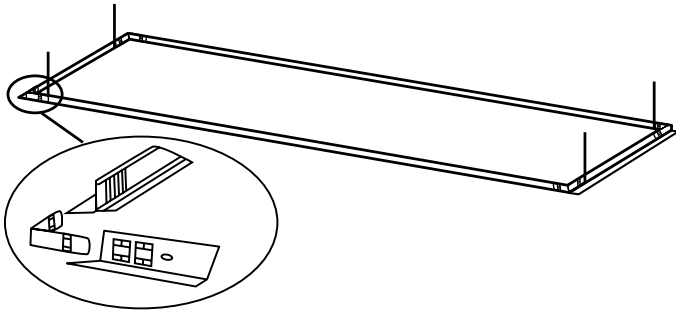


1x4 Surface Mount Dimensions

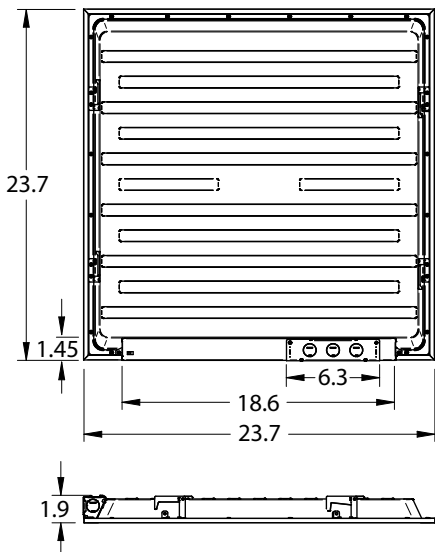


1x4 Flange Kit

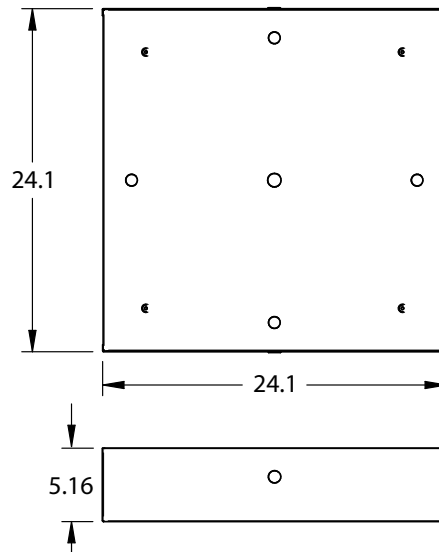
Ceiling opening is 12.25" x 48.25"



2x2 Dimensions

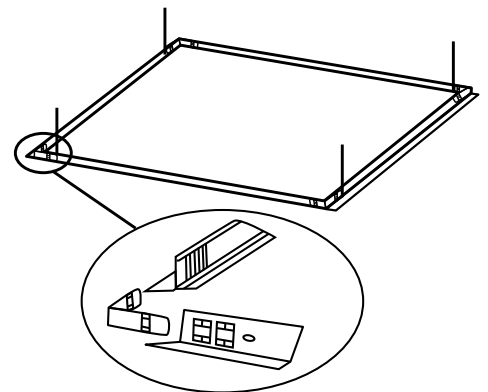


2x2 Surface Mount Dimensions



2x2 Flange Kit

Ceiling opening is 24.25" x 24.25"

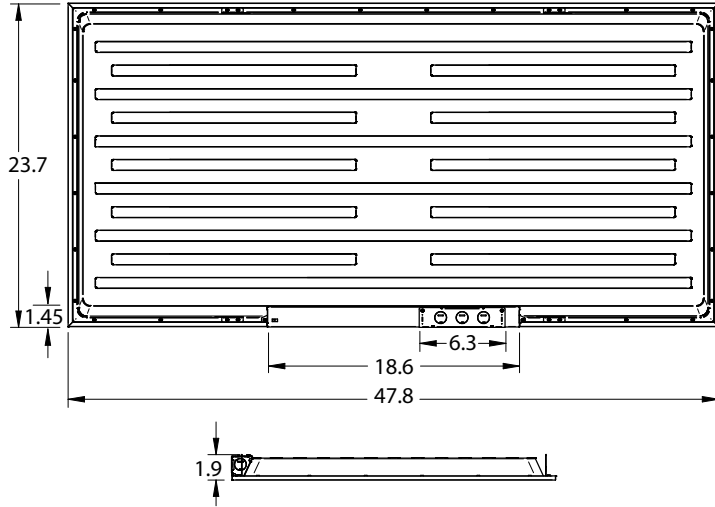


VPAN

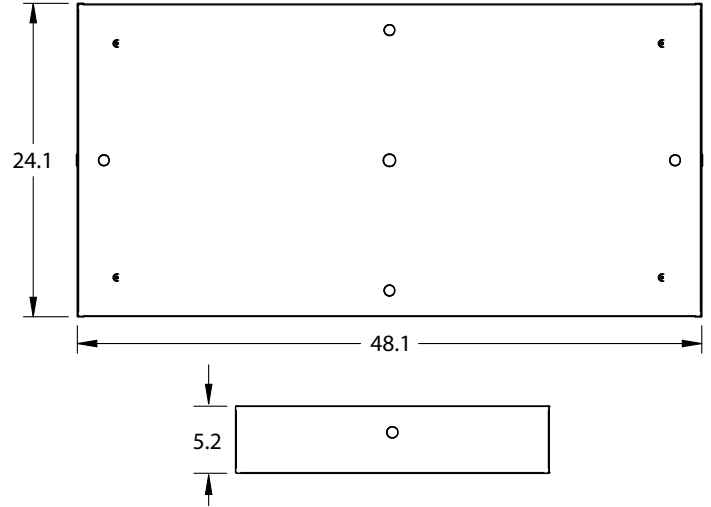
Back-Lit Flat Panel

LINE DRAWINGS

2x4 Dimensions

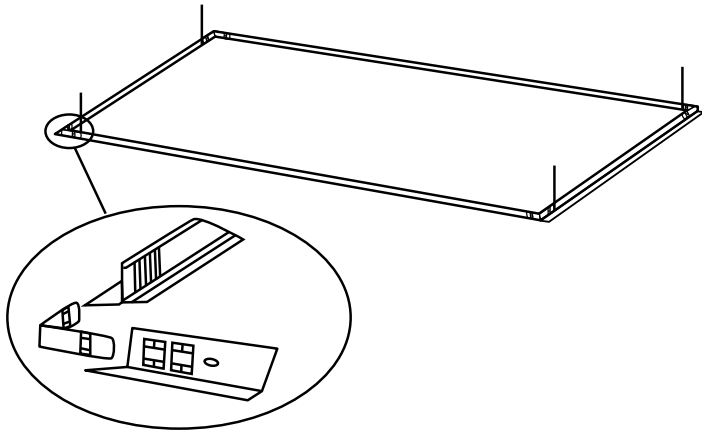


2x4 Surface Mount Dimensions



2x4 Flange Kit

Ceiling opening is 24.25" x 48.25"



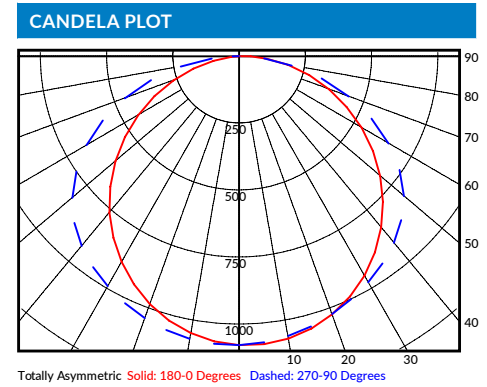
VPAN

Back-Lit Flat Panel

PHOTOMETRIC DATA

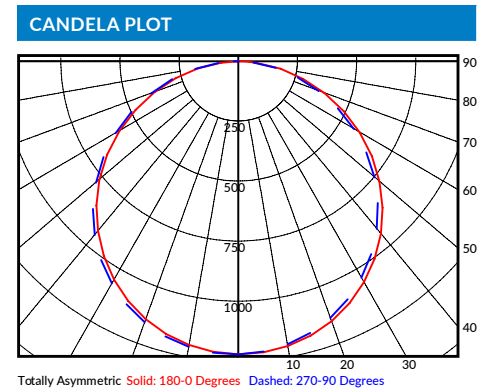
LUMINAIRE DATA	
Part Number	VPAN14-27L-U-40
Description	1x4 Back-Lit Flat Panel, 3,000 Lumens, 4000K
Fixture Lumens (lm)	3,098 lm
Wattage (W)	25 W
Efficacy (lm/W)	125 lm/W
Mounting	Recessed

ZONAL LUMEN SUMMARY		
Zone	Lumens (lm)	% Fixture
0° - 40°	1,271	41%
0° - 60°	2,337	75%
0° - 90°	3,098	100%
90° - 180°	0	0%
0° - 180°	3,098	100%



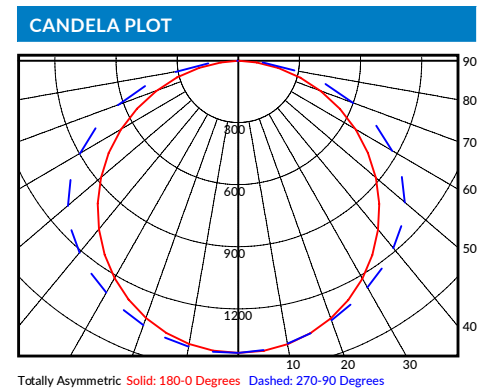
LUMINAIRE DATA	
Part Number	VPAN22-33L-U-40
Description	2x2 Back-Lit Flat Panel, 3,700 Lumens, 4000K
Fixture Lumens (lm)	3,724 lm
Wattage (W)	30 W
Efficacy (lm/W)	126 lm/W
Mounting	Recessed

ZONAL LUMEN SUMMARY		
Zone	Lumens (lm)	% Fixture
0° - 40°	1,585	43%
0° - 60°	2,855	77%
0° - 90°	3,724	100%
90° - 180°	0	0%
0° - 180°	3,724	100%



LUMINAIRE DATA	
Part Number	VPAN24-44L-U-40
Description	2x4 Back-Lit Flat Panel, 4,700 Lumens, 4000K
Fixture Lumens (lm)	4,638 lm
Wattage (W)	37 W
Efficacy (lm/W)	124 lm/W
Mounting	Recessed

ZONAL LUMEN SUMMARY		
Zone	Lumens (lm)	% Fixture
0° - 40°	1,866	40%
0° - 60°	3,464	75%
0° - 90°	4,638	100%
90° - 180°	0	0%
0° - 180°	4,638	100%



LUMINAIRE DATA	
Part Number	VPAN24-66L-U-40
Description	2x4 Back-Lit Flat Panel, 6,900 Lumens, 4000K
Fixture Lumens (lm)	6,945 lm
Wattage (W)	60 W
Efficacy (lm/W)	117 lm/W
Mounting	Recessed

ZONAL LUMEN SUMMARY		
Zone	Lumens (lm)	% Fixture
0° - 40°	2,803	40%
0° - 60°	5,194	75%
0° - 90°	6,945	100%
90° - 180°	0	0%
0° - 180°	6,945	100%

