

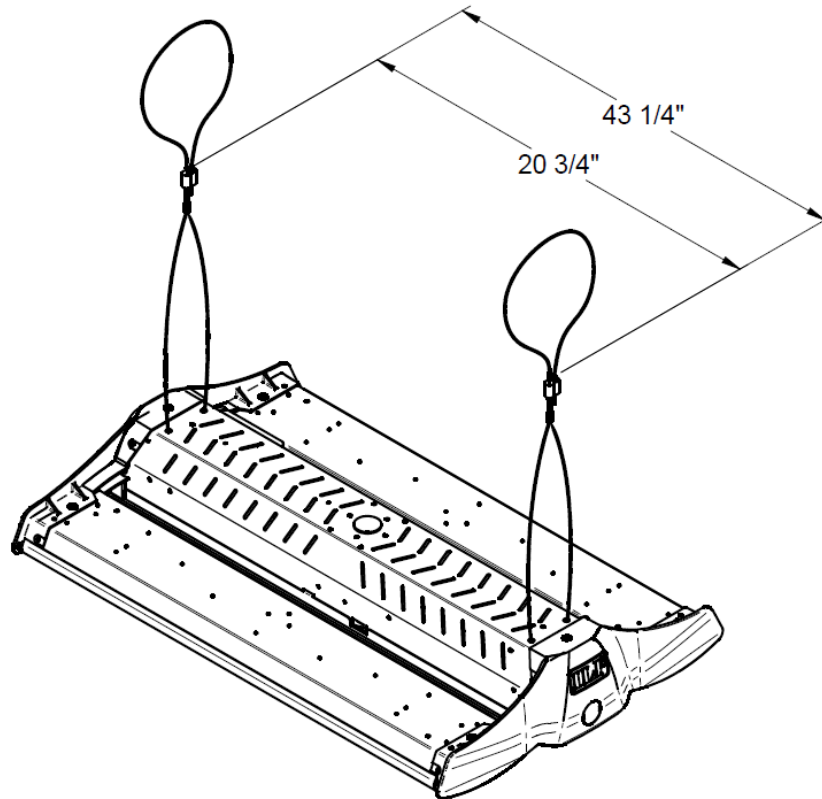
EDV Series Installation & Maintenance Manual

WARNINGS:

- To avoid the risk of fire, explosion, or electric shock, this product must be installed in accordance with the applicable installation code by a person familiar with the construction and operation of the product and the hazards involved.
- Be certain electrical power is OFF before and during installation and maintenance. It is recommended that prior to installation the main breaker controlling the desired location for the fixture be turned off.
- The luminaire must be connected to a wiring system with an equipment-grounding conductor.
- Ensure the supply voltage is the same as the rated luminaire voltage.
- Inspect each fixture for any signs of damage before beginning installation; do NOT install any fixture that is damaged.
- Locate a position to install the light fixture. The selected location must not hinder ventilation to the fixture unless product specifications indicate otherwise.
- Do not use alkaline or ammonia solutions to clean the end panels or lenses.

Cable Kit Installation

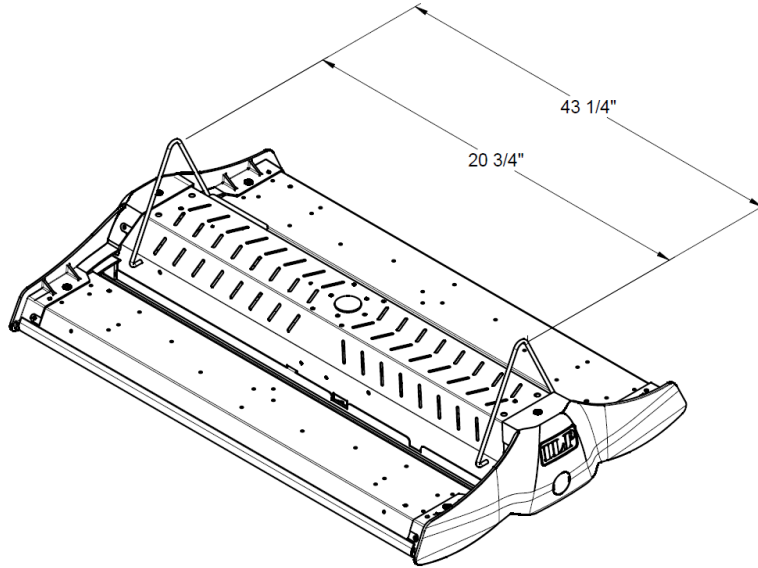
Insert the Y-pads into the holes on the top face of the fixture as shown below. EDV-8L, 12L, 15L, 18L, and 24L have a cable distance of ~20.75". EDV-30L, 36L, 48L, and 60L have a cable distance of ~43.25".





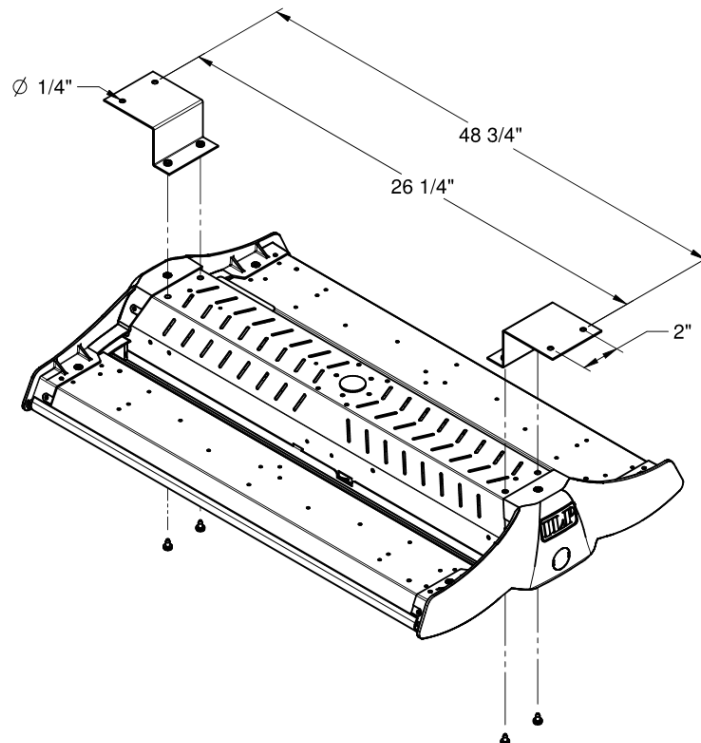
V-Clip Installation

Attach the provided v-clips to the fixture as shown below. EDV-8L, 12L, 15L, 18L, and 24L have a clip distance of ~20.75". EDV-30L, 36L, 48L, and 60L have a clip distance of ~43.25".



Surface Mount Installation

Use the provided (4) screws to attach the surface mount brackets to the fixture in the designated locations below. Once the brackets have been attached to the fixture, install the brackets into the ceiling using appropriate hardware (supplied by others). Surface Mount Bracket (SMZBKIT) leaves 2" distance between fixture and mounting surface to allow for proper air ventilation. EDV-8L, 12L, 15L, 18L, and 24L have a hole distance of ~26.25". EDV-30L, 36L, 48L, and 60L have a hole distance of ~48.75".



TROUBLESHOOTING

If the fixture fails to operate once installation has been completed:

- Ensure there is power to the fixture.
- Ensure the fixture is properly wired and grounded.
- Check to see if there are any loose wires inside the light fixture.

If none of these steps resolve the issue, contact your ILP representative for further assistance.

MAINTENANCE

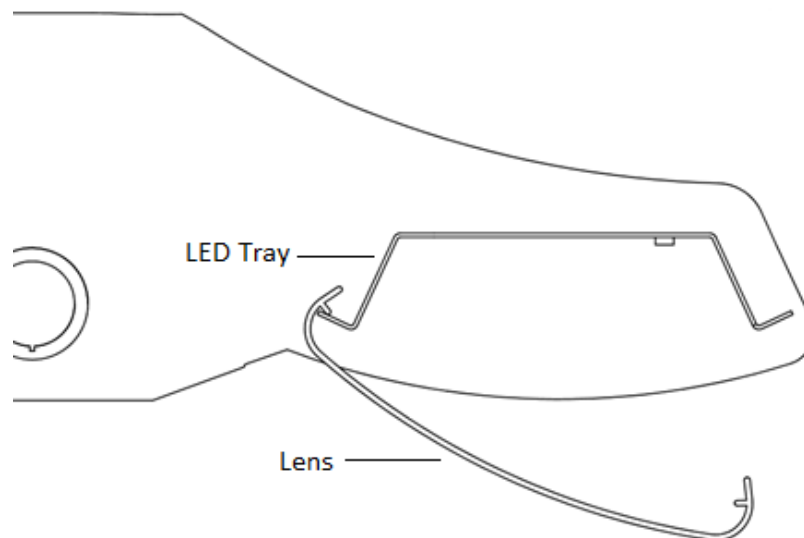
Depending on the application of the fixture, maintenance schedules will vary and should be developed by the customer following periodic observation once fixtures are in operation. At a minimum, the exterior surfaces should be wiped down as part of regular maintenance. Ensure power is turned off or disconnected before proceeding with maintenance. Once the fixture is powered off, ensure it is given enough time to cool.

Lens Removal and Cleaning

- Remove the lens by prying out on the outer edge of the lens affixed to the LED tray.
- Carefully unhinge the lens, removing it from the fixture.
- Prepare a cleaning solution consisting of warm water and mild soap. Wash the lens in the solution, using non-abrasive materials to prevent damage.
- Rinse with clean water and dry.
- Reinstall lens onto fixture housing as described below.

Lens Installation

- Hook the lens to the inside flange of the LED panel closest to the fixture's driver channel. Ensure the tab of the lens sits on top of the panel as shown.



- Make sure that the lens is not seated over the larger ledge of either end panel. The lens should be located centrally between the end panels.



- Rotate the lens to attach it to the opposite side of the LED Panel.
- Apply pressure to the center of the lens allowing it to pop over the edge of the metal tray. Continue pushing up on the outer edges of the lens to secure the lens over the tray's edge.
- Check that the lens has been installed correctly by making certain the lens sits over the edge of the tray as shown.

