



LED FLAT PANEL SURFACE MOUNT KIT

INSTALLATION

PLEASE READ INSTRUCTIONS BEFORE COMMENCING INSTALLATION AND RETAIN FOR FUTURE REFERENCE.

Electrical products can cause death or injury, or damage to property. If in any doubt about the installation or use of this product, consult a qualified electrician.

Follow the steps below to install the Flat Panel Surface Mount Kit

FIGURE 1

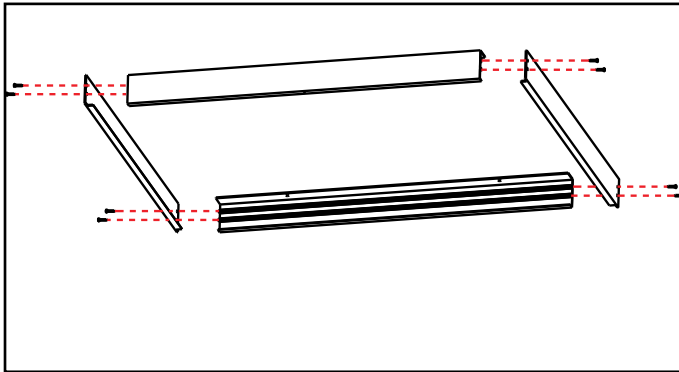


FIGURE 2

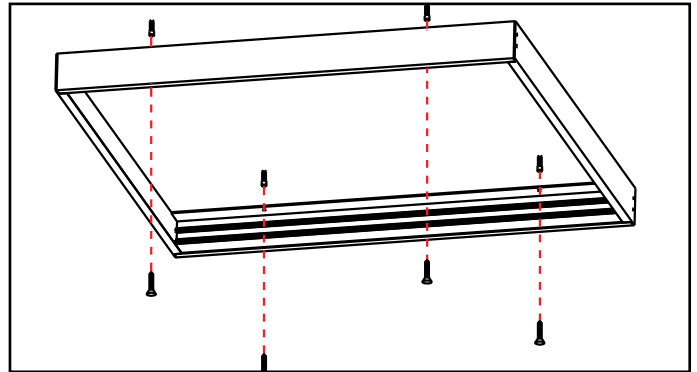


FIGURE 3

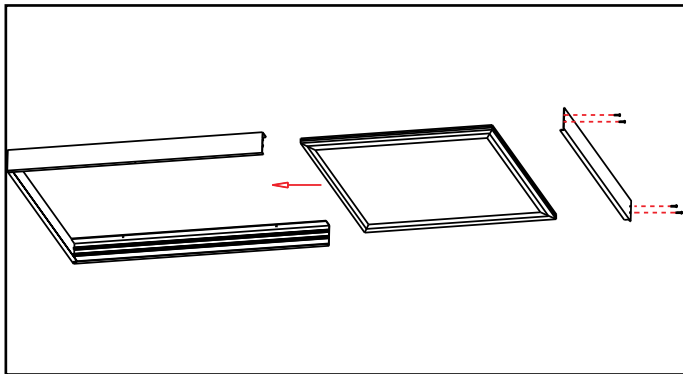
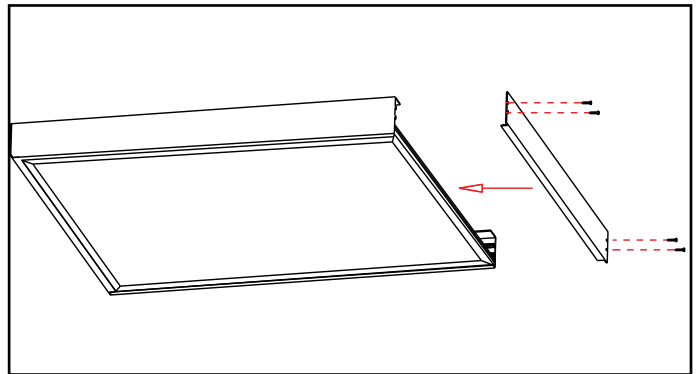


FIGURE 4



- 1). Put together the four-piece Surface Mount Kit by using the supplied screws. (Figure 1)
- 2). Mount the Surface Mount Frame to the ceiling using supplied screws. (Figure 2)
- 3). Unscrew and remove one piece of the frame and slide the flat panel fixture into the Surface Mount Frame. (Figure 3)
- 4). Make electrical connection from the incoming power to the LED fixture driver.
- 5). Reattach the removed side from step 3. (Figure 4)

Surface Mount Kit Includes:

- (4) Brackets with Assembly and Mounting Hardware



LED FLAT PANEL SURFACE MOUNT KIT

INSTALLATION

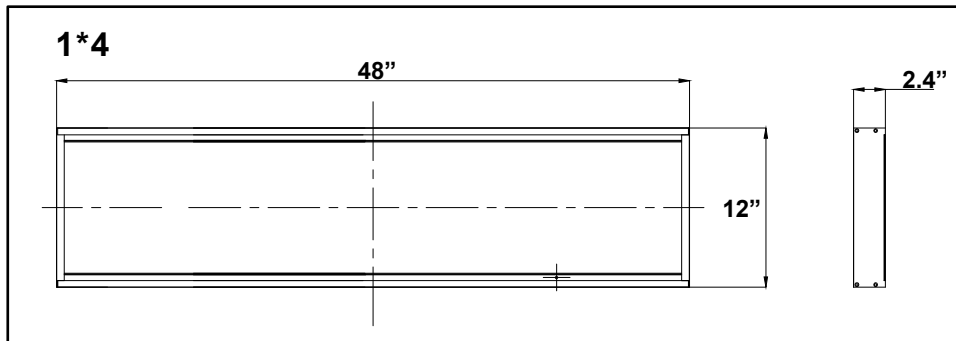
Assembled Surface Mount Frame Dimensions:

1ft x 4ft:

Length: 48 inches

Width: 12 inches

Height: 2.4 inches

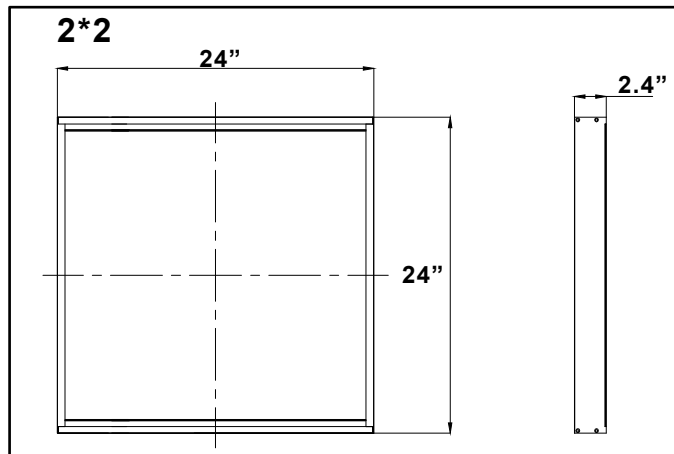


2ft x 2ft:

Length: 24 inches

Width: 24 inches

Height: 2.4 inches



2ft x 4ft:

Length: 48 inches

Width: 24 inches

Height: 2.4 inches

