

# CAVERN

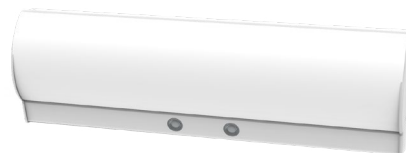
## STAIRWELL



407-478-3759  
www.ilp-inc.com

### FEATURES

- 2ft & 4ft Length Stairwell Fixture
- 7.5" Width to Cover Existing Footprints (No Painting)
- Wall or Ceiling Mount
- Two Housing Options:  
Cavern (CV)  
- .060" Aluminum Body, Cast Aluminum End Plates,  
  Post Paint Finish and Tamper Resistant Screw Option  
Cavern Lite (CVL)  
- .040" Aluminum Body, Baked on Pre-Paint Enamel
- White Standard Finish with Optional Custom Colors
- Ultrasonic Sensor Option Provides for Maximum Sensing Range
- Impact Resistant Extruded Frosted Acrylic Lens
- High Efficacy - Up to 157 lm/W
- 3000K-5000K CCTs
- >80 Color Rendering Index (CRI)
- Calculated L70 >100,000 hrs
- 0-10V Dimmable Driver (100%-10%)
- 120-277V Universal Voltage
- Optional Integral Emergency Battery Backups
- ADA Compliant Luminaire
- 5 Year Warranty
- ETL Listed for Damp & Dry Location
- DesignLights Consortium Premium Qualified Luminaire



### SUITABLE APPLICATIONS

- Education
- Healthcare
- Commercial Office
- Multifamily
- Hotel & Resort
- Storage Facility
- Retail

### ORDERING GUIDE:

SERIES		WATTS	DRIVER	CCT	LENS	FINISH	
CV2	Cavern 2ft	2L	U 120-277V	50	FRAL Frosted Acrylic (std.)	WHP	White Paint (std.)
CVL2	Cavern Lite 2ft	3L		40		CPx <sup>6</sup>	Custom Paint (x = spec color)
				35			
CV4	Cavern 4ft	3L		30			
CVL4	Cavern Lite 4ft	4L					
		5L					
		6L					

OPTIONS	CONTROLS OPTIONS
Factory Installed	Basic
FI/ILBCP05	FIOS
5W LED Factory Installed Battery Backup	On/Off PIR Occupancy Sensor
FI/ILBCP05/HE <sup>5</sup>	BDxx
5W LED Factory Installed Battery Backup	Preset Bi-Level Dimming Ultrasonic Occupancy Sensor (xx=%)
FI/ILBCP07	USB
7W LED Factory Installed Battery Backup	User Selectable Bi-Level Dimming Ultrasonic Occupancy Sensor
FI/ILBCP07/HE <sup>5</sup>	USB/HL
7W LED Factory Installed Battery Backup	User Selectable High/Low Dimming Ultrasonic Occupancy Sensor
FI/ILBCP10	PC
10W LED Factory Installed Battery Backup	120-277V Photocell
FI/ILBCP10/HE <sup>5</sup>	
10W LED Factory Installed Battery Backup	
FI/ILBCP12	
12W LED Factory Installed Battery Backup	
	Advanced
GTD	VDO <sup>2</sup>
Generator Transfer Device	Lutron Vive DFCSJ-OEM-OCC (Daylight & Occupancy)
SR <sup>3</sup>	VRF <sup>2</sup>
Sensor Ready Driver	Lutron Vive DFCSJ-OEM-RF (RF Only)
DR	
DALI Ready Driver	
BLD	
Bi-Level Dimming Driver (2 hot leads)	
SD347 <sup>1</sup>	
347V Step Down Transformer	
SD480 <sup>1</sup>	
480V Step Down Transformer	
TPS <sup>4</sup>	
Tamper Proof Screws	
WHIP/6FT/3WIRE	
6FT MC Cable w/ 3 leads to power—non-dimming function	
WHIP/6FT/4WIRE	
6FT MC Cable w/ 3 leads to power and 1 lead to battery backup—non-dimming function	
WHIP/6FT/5WIRE	
6FT MC Cable w/ 3 leads to power and 2 leads to dimming	
WHIP/6FT/6WIRE	
6FT MC Cable w/ 3 leads to power, 2 leads to dimming & 1 lead to battery backup	

<sup>1</sup>Does not qualify for DLC  
<sup>2</sup>Must be used with SR Driver

<sup>3</sup>For use with VDO and VRF Controls options only  
<sup>4</sup>Available on Cavern (CV) version only

<sup>5</sup>CEC Title 20 Compliant  
<sup>6</sup>Contact factory for available options

# CAVERN

## STAIRWELL

LED SYSTEMS INFO <sup>1</sup>	3000K		3500K		4000K		5000K		Watts <sup>2</sup>	CRI	Ambient Temp Range	DLC	Replaces
	Part Numbers	Lumens	Efficacy	Lumens	Efficacy	Lumens	Efficacy	Lumens					
CV(L)2-2L-U-XX-FRAL	2,168 lm	138 lm/W	2,233 lm	139 lm/W	2,327 lm	145 lm/W	2,377 lm	148 lm/W	16W	>80	-4°F-125°F	Premium	1T8
CV(L)2-3L-U-XX-FRAL	3,050 lm	141 lm/W	3,103 lm	143 lm/W	3,233 lm	150 lm/W	3,246 lm	150 lm/W	22W				2T8
CV(L)4-3L-U-XX-FRAL	3,182 lm	145 lm/W	3,237 lm	147 lm/W	3,373 lm	154 lm/W	3,445 lm	157 lm/W	22W				1T8
CV(L)4-4L-U-XX-FRAL	3,876 lm	142 lm/W	3,943 lm	145 lm/W	4,109 lm	151 lm/W	4,197 lm	154 lm/W	27W				2T8
CV(L)4-5L-U-XX-FRAL	4,965 lm	137 lm/W	5,051 lm	139 lm/W	5,263 lm	145 lm/W	5,375 lm	148 lm/W	36W				3T8
CV(L)4-6L-U-XX-FRAL	5,615 lm	132 lm/W	5,712 lm	138 lm/W	5,952 lm	144 lm/W	6,079 lm	143 lm/W	42W				2T5

<sup>1</sup>Values are nominal, see IES file for more detail  
<sup>2</sup>Electrical data at 25C (77F). Actual wattage may differ by +/-10%.

## SPECIFICATIONS

### CONSTRUCTION

Stairwell fixture designed for rigidity, durability, ease of installation while achieving maximum performance and improved aesthetics. 7.5" width construction luminaire for robust design. Cavern (CV) is designed with .060" aluminum body, decorative and vandal resistant .200" 6061 machined aluminum end caps, .500" threaded end plugs and baked on enamel powdercoat finish. Cavern Lite (CVL) is designed with .040" full aluminum body, end knockouts, and baked on pre-painted enamel finish. Tamper proof screw option available on Cavern (CV). Available in white (std.) with custom finishes available.

### ELECTRICAL

Class 2 LED light engine for high efficacy and long life. Calculated L70 > 100,000hrs. LED Lumen Maintenance Estimates based on TM-21 projections for the light source at 25C ambient. Power Factor > 0.90. Standard 120-277 Vac 0-10V dimmable (10% - 100%). Optional battery backups and generator transfer device available to meet critical life safety lighting requirements.

### INSTALLATION

Designed for a variety of stairwell solutions including ceiling and wall mounting. Knockouts located on back and each side of fixture for electrical access. Threaded end cap HUBs standard on Cavern (CV). Tamper proof screw option available on Cavern (CV).

### WARRANTY

5 Year Warranty (Terms and Conditions apply)

### OPTICS

High transmission extruded impact resistant PMMA frosted acrylic lens for durability and LED glare reduction. Vandal resistant lens design on Cavern (CV) only servicable when removing end cap. Toolless field removeable lens design on Cavern Lite (CVL) for easy access to driver channel for installation and maintenance.

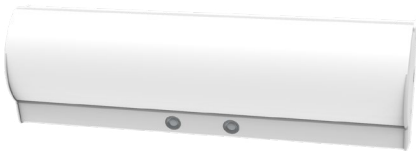
### CONTROLS

Factory Installed Advanced and Basic integral occupancy sensors available. Fully control light levels for both occupied and unoccupied areas with high/low user selectable bi-level dimming options to meet critical life safety lighting requirements. Ultrasonic sensors provide for maximum sensing range and energy efficiency. Sensors mount within body of fixture. Advanced controls available for grouping capabilities and BAS operation. See controls page for more detail (pg. 3).

### CERTIFICATIONS

ETL Listed to US and Canadian safety standards. Suitable for damp locations. American Recovery and Reinvestment Act Funding Compliant. BAA Compliant. ADA Compliant Luminaire. Title 24 Compliant with sensor option; see local ordinance for qualification information. DLC (DesignLights Consortium) Premium Qualified. Please refer to the DLC Qualified Products List at [www.Designlights.org/QPL](http://www.Designlights.org/QPL) to confirm specific product qualifications.

## TWO HOUSING SPECIFICATIONS



### CAVERN (CV)

- .060" Aluminum Body
- Cast Aluminum End Plates
- Post Paint Finish
- Tamer Resistant Design
- Ideal for front of house stairwells



### CAVERN LITE (CVL)

- .040" Aluminum Body
- Baked on Pre-Paint Enamel
- Economical solution without loss of performance
- Ideal for back of house stairwells

# CAVERN

---

## STAIRWELL

### CONTROLS OPTIONS

#### BASIC

##### BDxx

Factory Set Bi-Level Dimming Ultrasonic Sensor. Fixtures with this option come with a 0-10V sensor and driver set to dim down to the number indicated in "xx" portion of the part number, when in an unoccupied mode. For example, BD25, would have the fixture dim down to 25% lumen output when unoccupied and go to 100% when motion is detected. Ultrasonic sensors provide for maximum sensing range and energy efficiency. Available at 10%/25%/50% selections. Sensor installed within the body of the fixture.

##### FIOS

Standard on/off PIR motion sensor for 360 degree sensing. Sensor installed within the body of the fixture.

##### USB

User Selectable Bi-Level Dimming Ultrasonic Sensor. Fixtures with this option come with a 0-10V sensor & driver along with an integrated control to allow the end user to select how low the fixture will dim when in unoccupied mode. Once motion is detected fixture will light up to 100% light output. Ultrasonic sensors provide for maximum sensing range and energy efficiency. Sensor installed within body of the fixture.

##### USB/HL

User Selectable Bi-Level Dimming Ultrasonic Sensor is for both high and low output control. Allows user to control how far the fixture dims down when the sensor is in unoccupied mode and allows user to select how bright fixture becomes when in occupied mode. Ultrasonic sensors provide for maximum sensing range and energy efficiency. Utilizes Bluetooth connectivity with IOS and Android app integration to set controls. Sensor installed within body of fixture.

#### ADVANCED

##### LUTRON VDO

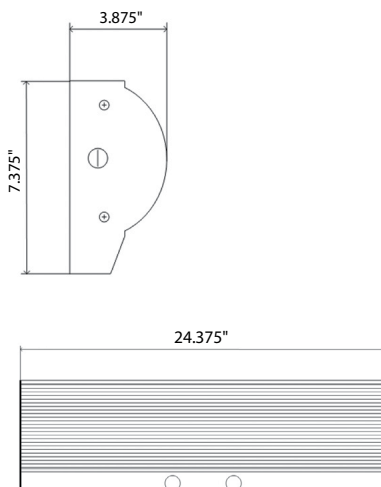
Vive DFCSJ-OEM-OCC integral fixture control sensor with daylight & occupancy. Vive provides intuitive programming allowing for maximum flexibility with wireless communication & sensing as desired. Provided with factory installed components only. Lutron system provided by others. Contact factory for more information.

##### LUTRON VRF

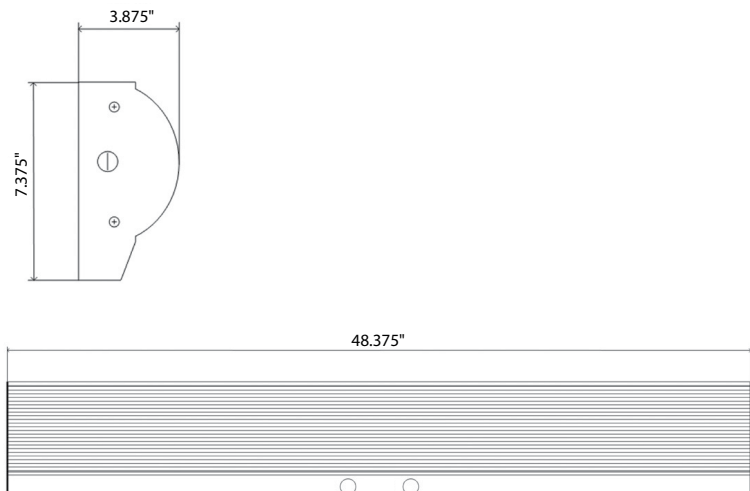
Vive DFCSJ-OEM-RF integral fixture control with Radio Frequency (RF) communication. Vive provides intuitive programming allowing for maximum flexibility with wireless communication as desired. Provided with factory installed components only. Lutron system provided by others. Contact factory for more information.

### LINE DRAWINGS

2FT



4FT

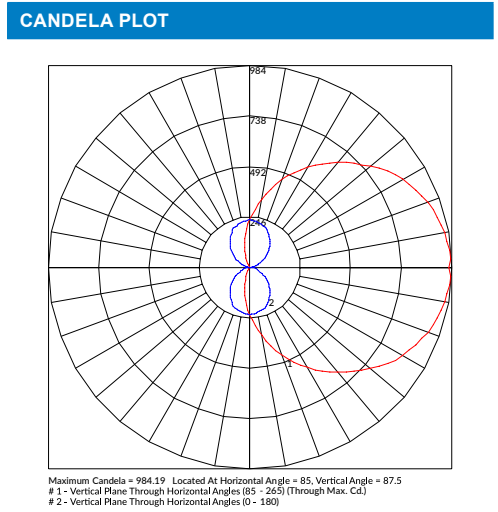


# CAVERN STAIRWELL

## PHOTOMETRIC DATA

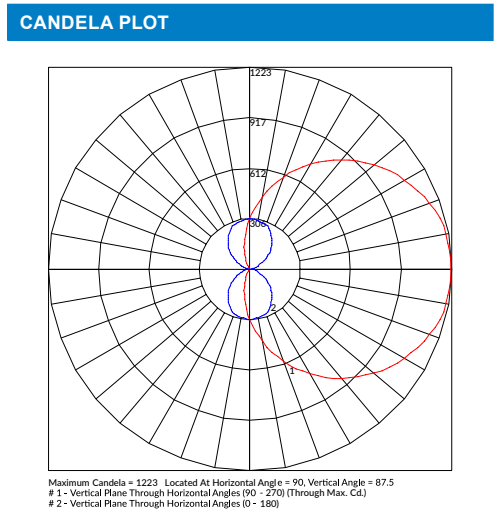
LUMINAIRE DATA	
Part Number	CV2-3L-U-40-FRAL
Description	Cavern Stairwell, 3,000 lm, frosted acrylic lens
Fixture Lumens (lm)	3,233 lm
Wattage (W)	22 W
Efficacy (lm/W)	150 lm/W
Mounting	Recessed
Spacing Criteria	0° = 1.18, 90° = 1.32

ZONAL LUMEN SUMMARY		
Zone	Lumens (lm)	% Fixture
0° - 40°	348	11%
0° - 60°	772	24%
0° - 90°	1,617	50%
90° - 180°	1,617	50%
0° - 180°	3,234	100%



LUMINAIRE DATA	
Part Number	CV4-4L-U-40-FRAL
Description	Cavern Stairwell, 4,000 lm, frosted acrylic lens
Fixture Lumens (lm)	4,109 lm
Wattage (W)	27 W
Efficacy (lm/W)	151 lm/W
Mounting	Recessed
Spacing Criteria	0° = 1.19, 90° = 1.33

ZONAL LUMEN SUMMARY		
Zone	Lumens (lm)	% Fixture
0° - 40°	460	11%
0° - 60°	1,004	24%
0° - 90°	2,055	50%
90° - 180°	2,055	50%
0° - 180°	4,110	100%



LUMINAIRE DATA	
Part Number	CV4-6L-U-40-FRAL
Description	Cavern Stairwell, 6,000 lm, frosted acrylic lens
Fixture Lumens (lm)	5,952 lm
Wattage (W)	42 W
Efficacy (lm/W)	144 lm/W
Mounting	Recessed
Spacing Criteria	0° = 1.2, 90° = 1.33

ZONAL LUMEN SUMMARY		
Zone	Lumens (lm)	% Fixture
0° - 40°	664	11%
0° - 60°	1,453	24%
0° - 90°	2,977	50%
90° - 180°	2,977	50%
0° - 180°	5,954	100%

